

---

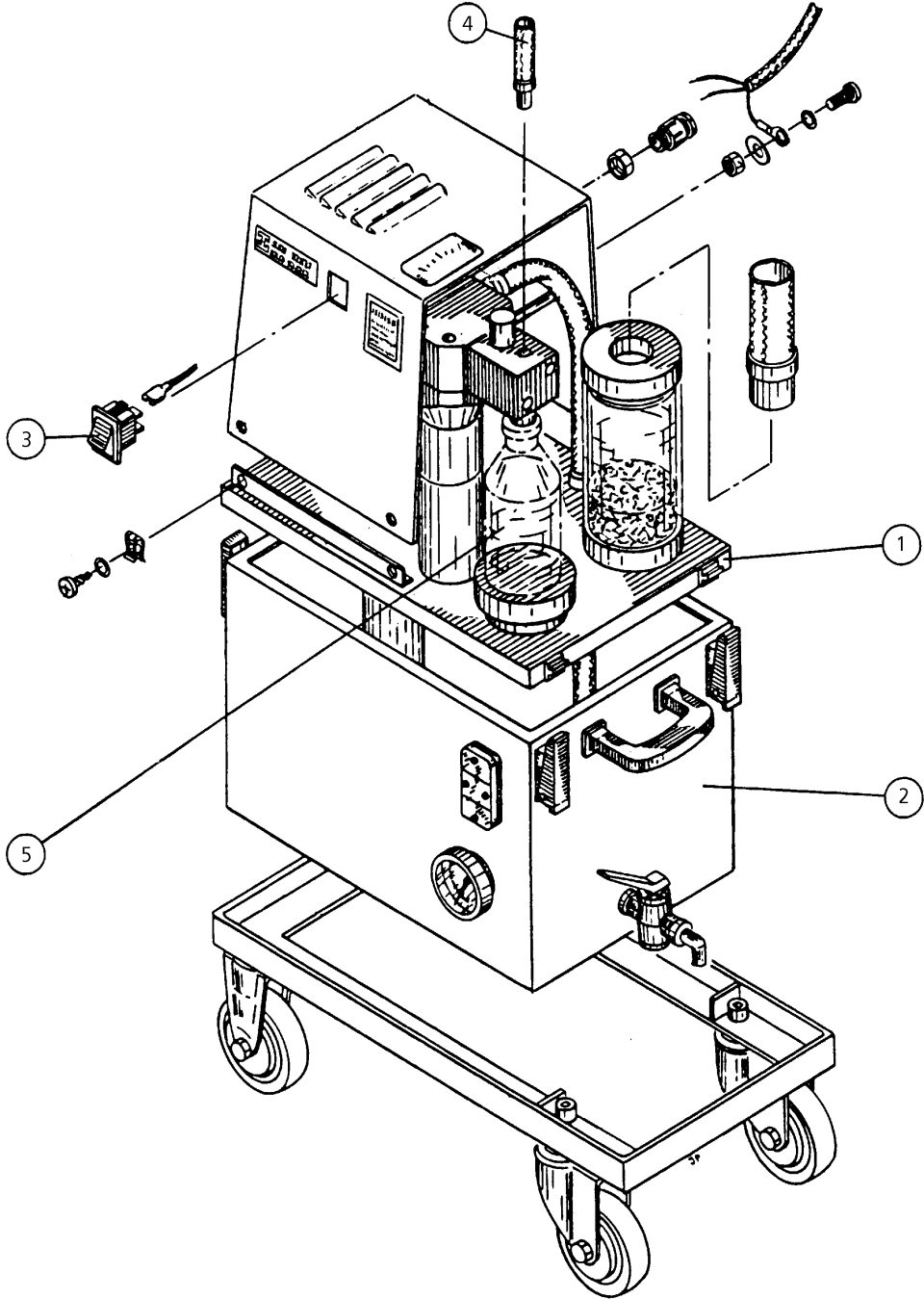
# **1013 Scrubber Unit Parts List**

**1000 4849 / Rev. 2.2**

**Note: Screws, nuts and washers are shown but not designated in this part list!**

Designation: Scrubber cpl.
Drawing: 1000 0997b/1000 0983b
Effective from serial no: _____ to serial no: _____

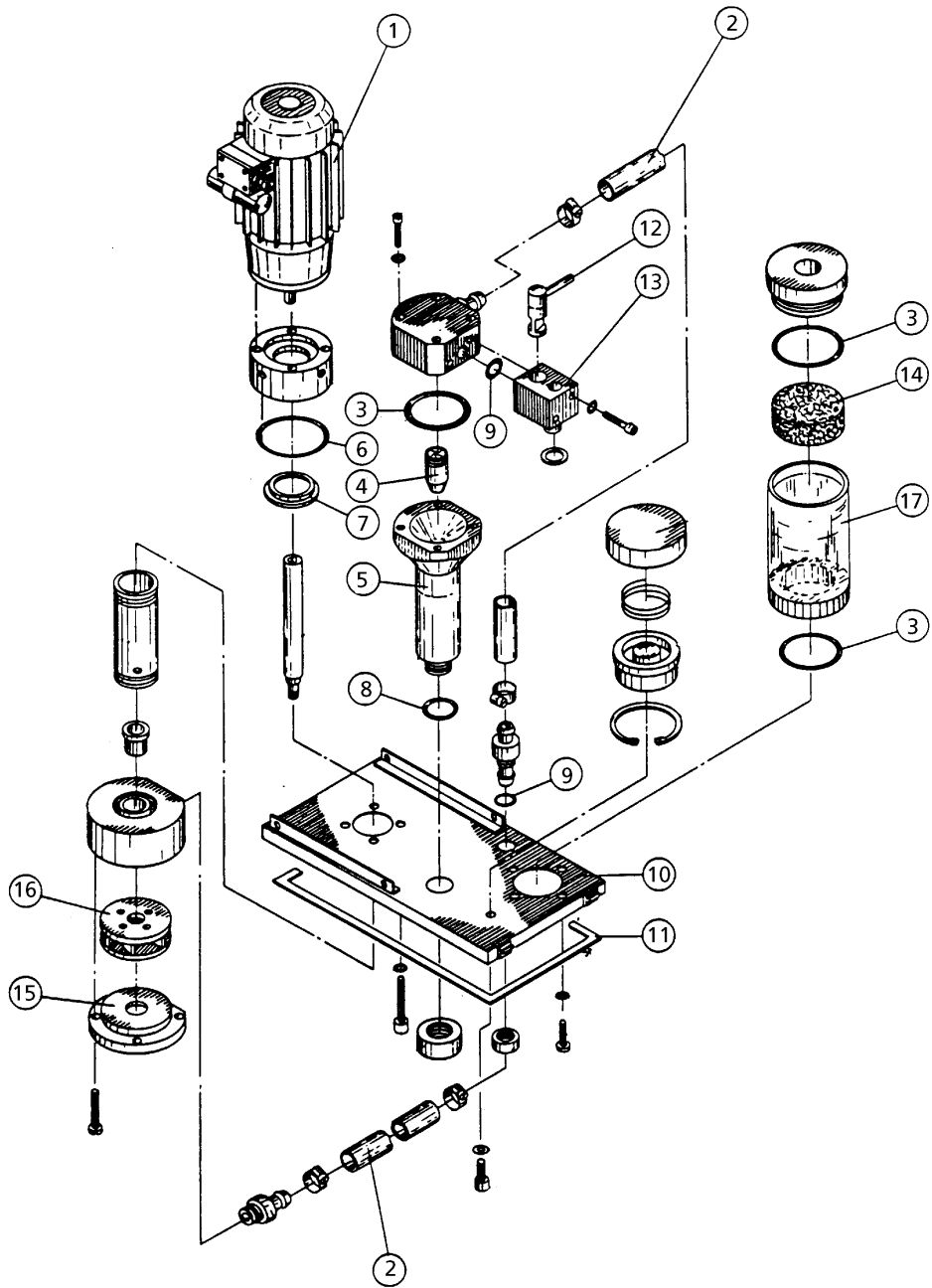
<b>Pos</b>	<b>Part number</b>	<b>Designation</b>	<b>Remarks</b>
1	1000 0994	Tank-lid cpl.	see page 4
2	1000 0996	Tank cpl.	see page 6
3	1563 0001	Switch, green 230 V/115 V	
4	1000 0987	Exhaust tubing	
5	1000 0978	Acid trap/flask	



10000997<sub>b</sub>  
10000983<sub>b</sub>

Designation: Tank-lid cpl.
Drawing: 1000 0994b
Effective from serial no: _____ to serial no: _____

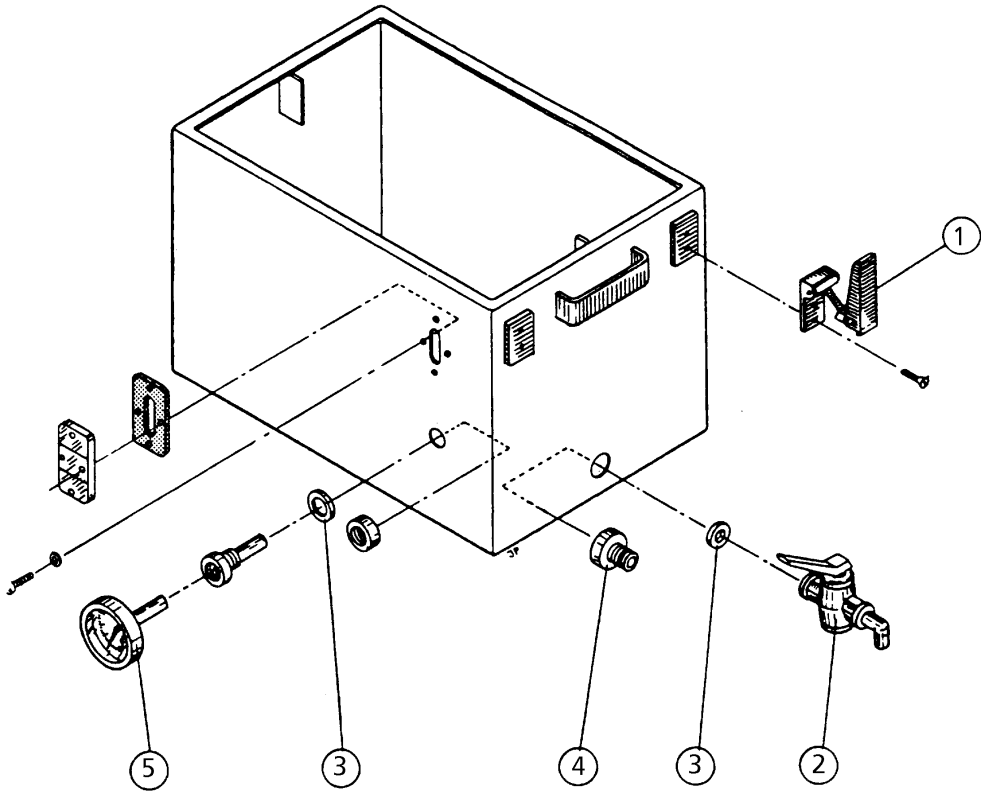
<b>Pos</b>	<b>Part number</b>	<b>Designation</b>	<b>Remarks</b>
1	1571 0008	Motor	
2	1582 0039	Tubing	
3	1542 0030	O-ring	
4	1000 0990	Spray nozzle	
5	1000 8413	Ejector house incl. nut	
6	1542 0028	O-ring	
7	1542 0035	Gasket ring	
8	1542 0024	O-ring	
9	1542 0029	O-ring	
10	1000 0975	Tank-lid	
11	1000 0992	Seal	
12	1000 0961	Valve	
13	1000 0962	Valve housing	
14	1000 0988	Vapour filter	
15	1000 0960	Pump cover	
16	1000 0991	Impeller assembly	
17	1000 0959	Column	



10000994<sub>b</sub>

Designation: Tank cpl.
Drawing: 1000 0996b
Effective from serial no: _____ to serial no: _____

<b>Pos</b>	<b>Part number</b>	<b>Designation</b>	<b>Remarks</b>
1	1546 0007	Clamp, external	
2	1584 0004	Drain valve	
3	1000 0887	Seal	
4	1000 0982	Sleeve	
5	1525 0039	Thermometer	



10000996 b

This page is intentionally not used.