
Shaking Water Bath™ 1024 Spare Parts Manual

1000 4864 / Rev. 2



Information may be changed or updated without notice. The latest version is found at www.foss.dk.

Rev.	Date of Issue	Revised Material
2	2006-08-04	Layout improved. Spare parts updated.

NOTE: Please note that all information is liable to change without prior notice.

Please inform Market Communication Dpt - Technical Communication Team at the address given below, if you have any opinions about or proposals for changes to this manual.

Market Communication Dpt - Technical Communication Team

e-mail tig@foss.dk

FOSS Analytical AB, Box 70, SE-263 21 Höganäs, Sweden

Tel Int +46 42 361500, Fax +46 42 340349

Table of Contents

1	General	1
2	Shaking Water Bath	2
2.1	Spare Parts	2
2.2	Parts Illustration	3
3	Shaking Water Bath	4
3.1	Spare Parts	4
3.2	Parts Illustration	5
4	Water Tank	6
4.1	Spare Parts	6
4.2	Parts Illustration	7
5	Shaking Unit	8
5.1	Spare Parts	8
5.2	Parts Illustration	9
6	Cover	10
6.1	Spare Parts	10
6.2	Parts Illustration	11
7	Control Unit	12
7.1	Spare Parts	12
7.2	Parts Illustration	13
8	Instrument Panel	14
8.1	Spare Parts	14
8.2	Parts Illustration	15
9	Plinth	16
9.1	Spare Parts	16
9.2	Parts Illustration	17
10	Stirring Motor	18
10.1	Spare Parts	18
10.2	Parts Illustration	19
11	Shaking Table	20

11.1 Spare Parts 20
11.2 Parts Illustration 21

1 General

This document contains Spare Parts for Shaking Water Bath™ 1024.

Note

Please read Safety Precautions in the Service Manual prior to maintenance or exchange of spare parts.

Note

Screws, nuts and washers are shown but not designated in this manual.

2 Shaking Water Bath

Original Drawing	1000 2059 (220 V), 1000 2091 (110 V)
-------------------------	--------------------------------------

2.1 Spare Parts

Pos.	Part No.	Description	Note
1	1000 2212	Shaking water bath, 220V	See page 4
1	1000 2420	Shaking water bath, 110V	See page 4
2	1000 2170	Tray for incubation flasks	

2.2 Parts Illustration

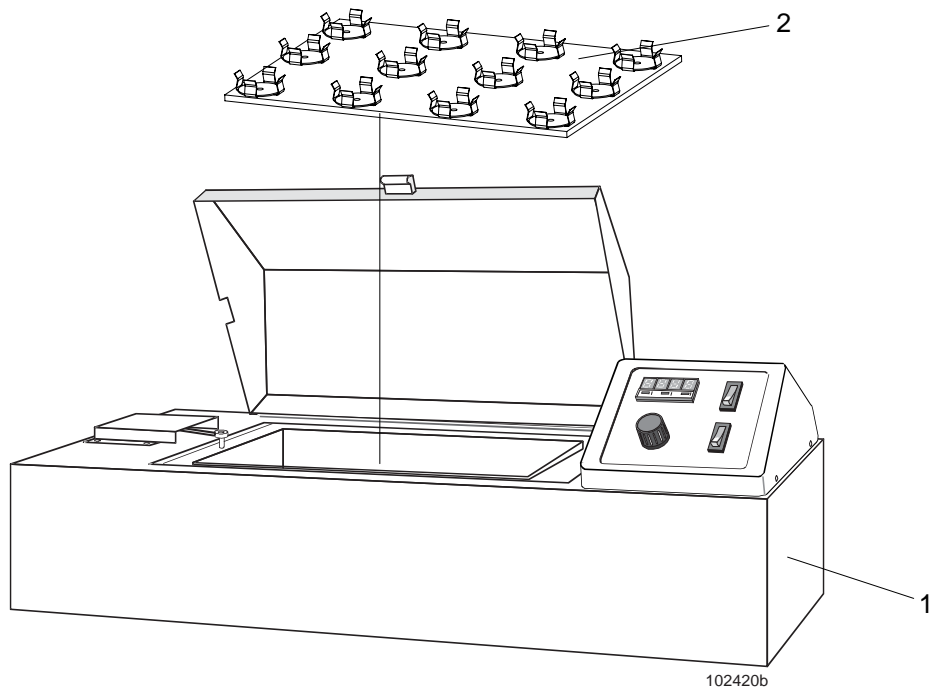


Fig. 1:1 Shaking Water Bath and Tray

3 Shaking Water Bath

Original Drawing	1000 2212 (220 V), 1000 2420 (110 V)
-------------------------	--------------------------------------

3.1 Spare Parts

Pos.	Part No.	Description	Note
1	1000 2213	Water tank assembly	See page 6
2	1000 2214	Shaking Unit assembly 230V	See page 8
2	1000 2422	Shaking Unit assembly 115V	See page 8
3	1001 3614	Casing	
4	1000 2153	Insulation	
5	1000 2217	Tank cover assembly	See page 10
6	1000 2152	Insulation	
7	1000 6677	Cover	
10	1000 2221	Protective grating	
11	1000 2155	Bottom grating	
12	1000 7204	Control unit assembly 230V	See page 12 to 15
12	1000 2423	Control unit assembly 115V	See page 12 to 15
14	1547 0001	Support	
15	1000 2154	Insulation	
19	1561 0006	Ring tounge, red	
20	1000 2218	Shaking table assembly	See page 20
24	1561 0193	Cable, black	
25	1561 0475	Cable, brown	
26	1561 0515	Cable, red	
27	1561 0474	Cable, blue	
28	1561 0513	Cable, yellow/green	
30	1569 0011	Cable tie holder, adhesive	
31	1561 0256	Flat pin sleeve	
32	1561 0270	Flat pin connector	
33	1561 0107	Ring tounge	
34	1561 0108	Protective sleeve	
36	1001 3615	Protective plate	
43	1000 2495	Hinge, lower part	
44	1539 0033	Spacer	
45	1000 6410	Switch arm	

4 Water Tank

Original Drawing	1000 2213
-------------------------	-----------

4.1 Spare Parts

Pos.	Part No.	Description	Note
1	1569 0013	Rubber grommet	
2	1549 0007	Sealing strip	100 m pack
3	1000 2158	Water tank	
6	1545 0024	Wheel for trolley	
11	15490004	Insulating tape	

4.2 Parts Illustration

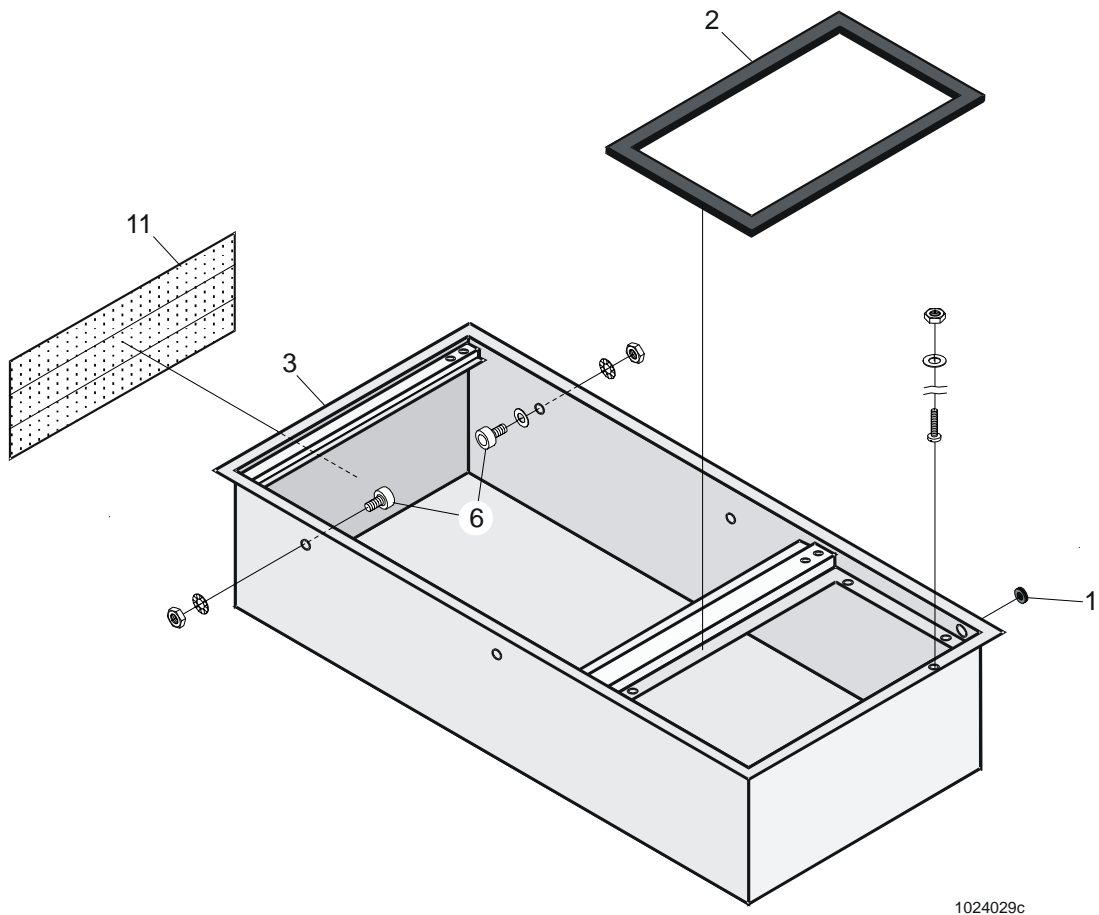


Fig. 1:1 Water Tank

5 Shaking Unit

Original Drawing	1000 2214 (230 V), 1000 2422 (115 V)
-------------------------	--------------------------------------

5.1 Spare Parts

Pos.	Part No.	Description	Note
12	1000 2175	Drive shaft	
13	1000 2176	Driven wheel	
14	1000 2173	Excentric shaft	
15	1545 0023	Transmission belt, upper	
16	1545 0022	Transmission belt, lower	
17	1000 2177	Driving wheel	
18	1000 2220	Spacer	
19	1000 2219	Beam	
21	1000 2174	Shaft bush	
24	1571 0009	Motor	
25	1000 3683	Control board assembly	230V
25	1000 3684	Control board assembly	115V
28	1567 0037	Transformer	230V
28	1567 0041	Transformer	115V
30	1000 2172	Excentric shaft	
31	1000 2178	Driven wheel	
32	1000 2169	Sealing disk	
33	1000 2171	Excenter	
46	1561 0513	Cabling, ground	
51	1000 7390	EMC filter assembly	
59	1539 0084	Spacer	

6 Cover

Original Drawing	1000 2217
-------------------------	-----------

6.1 Spare Parts

Pos.	Part No.	Description	Note
1	1000 2700	Cover for 1024	
8	1539 0007	Cylindrical pin	
9	1000 2496	Hinge	
11	1000 0286	Handle	
13	1536 0054	Pin screw	

6.2 Parts Illustration

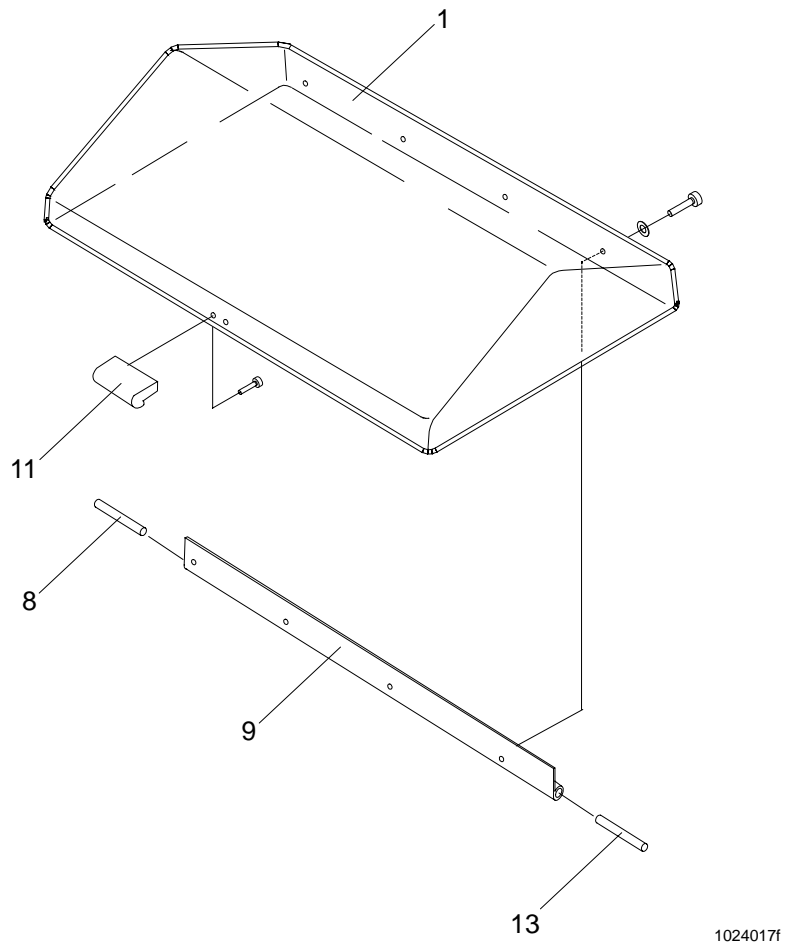


Fig. 1:1 Cover

7 Control Unit

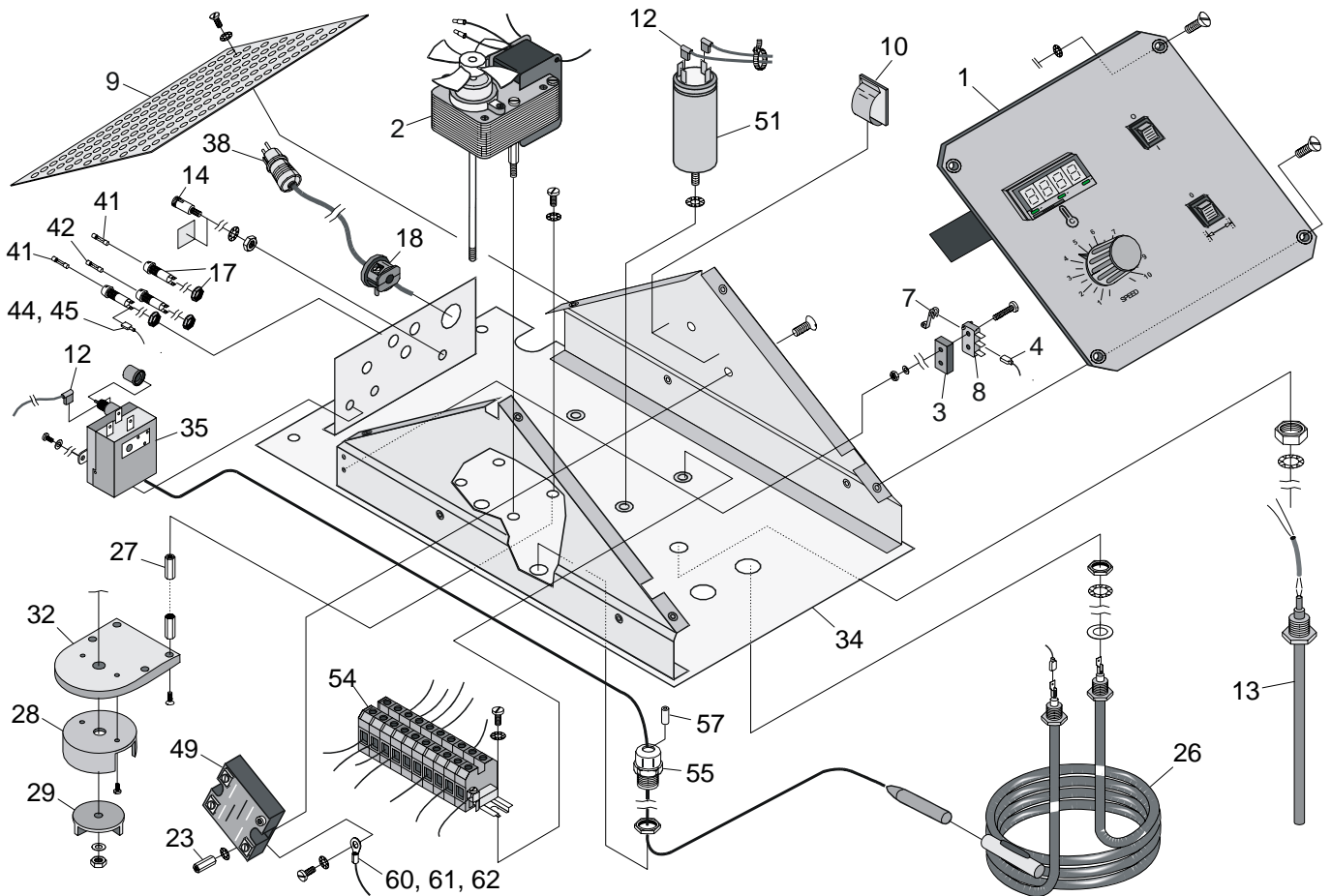
Original Drawing	1000 7204 (230 V), 1000 2423 (115 V)
-------------------------	--------------------------------------

7.1 Spare Parts

Pos.	Part No.	Description	Note
1	1000 7205	Instrument panel assembly	See page 14
2	1000 2160	Stirring motor assembly	230V, see page 18
2	1000 2210	Stirring motor assembly	115V, see page 18
3	1000 6620	Spacer	
4	1561 0270	Flat pin contact	
7	1563 0191	Micro switch arm	
8	1563 0190	Micro switch	
9	1000 6388	Protective plate	
10	1569 0052	Cable holder	
12	1561 0107	Ring tounge	
13	1000 6185	Temperature sensor	
14	1561 0121	Grounding screw	
17	1564 0140	Fuse holder	
18	1561 0131	Cabling grommet	
23	1539 0025	Spacer	
26	1000 2184	Heating element	230V
26	1000 2209	Heating element	115V
27	1000 2211	Spacer	
28	1000 2188	Pump housing	
29	1000 2189	Impeller stirrer	
32	1000 2187	Pump plate	
34	1000 6676	Mounting plate	
35	1579 0025	Over-temp protection	
38	1561 0123	Mains cable	230V
38	1565 0061	Mains cable	115V
41	1564 0006	Fuse, 10AT	
42	1564 0074	Fuse, 1AF	230V
42	1564 0088	Fuse, 1,6AF	115V
44	1561 0475	Cable, brown	
45	1561 0474	Cable, blue	
49	1562 0022	Solid state relay	
51	1568 0023	Hum eliminator	
54	1000 7417	Plinth assembly	see page 18
55	1561 0342	Cabling grommet	
57	1582 0027	Neoprene tubing	20mm
60	1561 0193	Cable, black	

Pos.	Part No.	Description	Note
61	1561 0515	Cable, red	
62	1561 0006	Ring tongue, red	

7.2 Parts Illustration



102426d

Fig. 1:1 Control Unit

8 Instrument Panel

Original Drawing	1000 7205
-------------------------	-----------

8.1 Spare Parts

Pos.	Part No.	Description	Note
1	1574 0012	Temperature regulator	
2	1567 0038	Potentiometer	
3	1547 0034	Arrow board, black	
4	1547 0032	Knob, black	
5	1547 0033	Knob cap	
6	1565 0282	Switch	
9	1000 6610	Instrument panel	

8.2 Parts Illustration

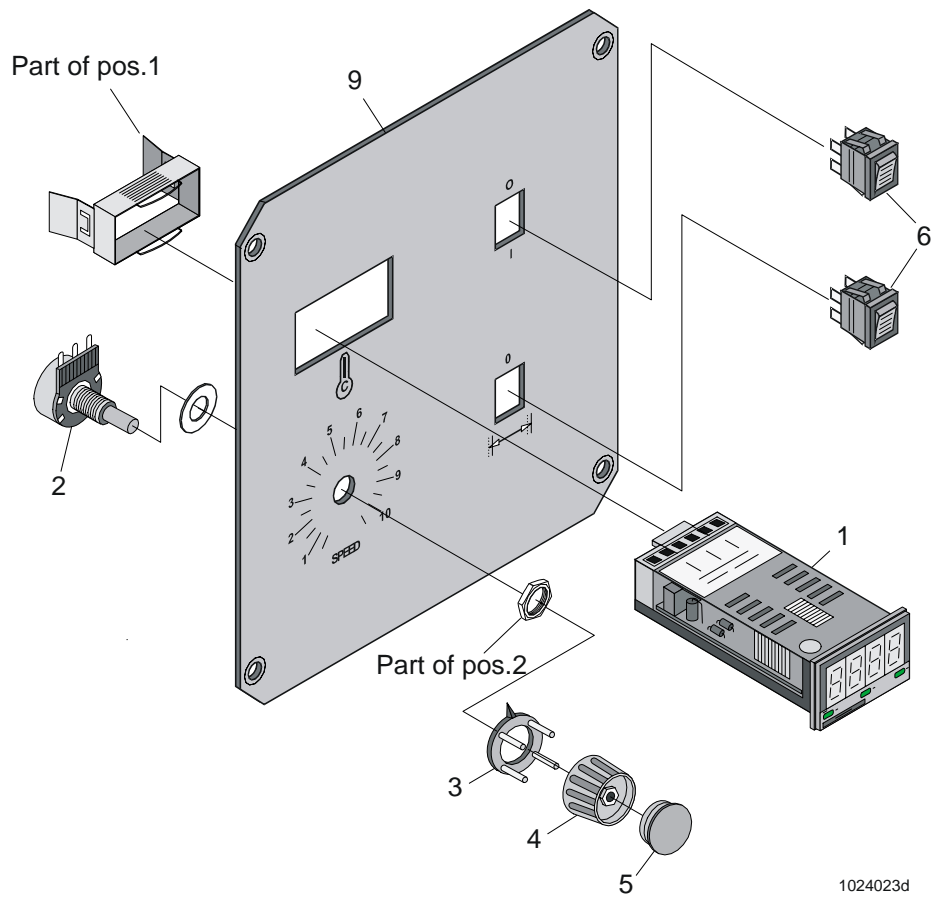


Fig. 1:1 Instrument Panel

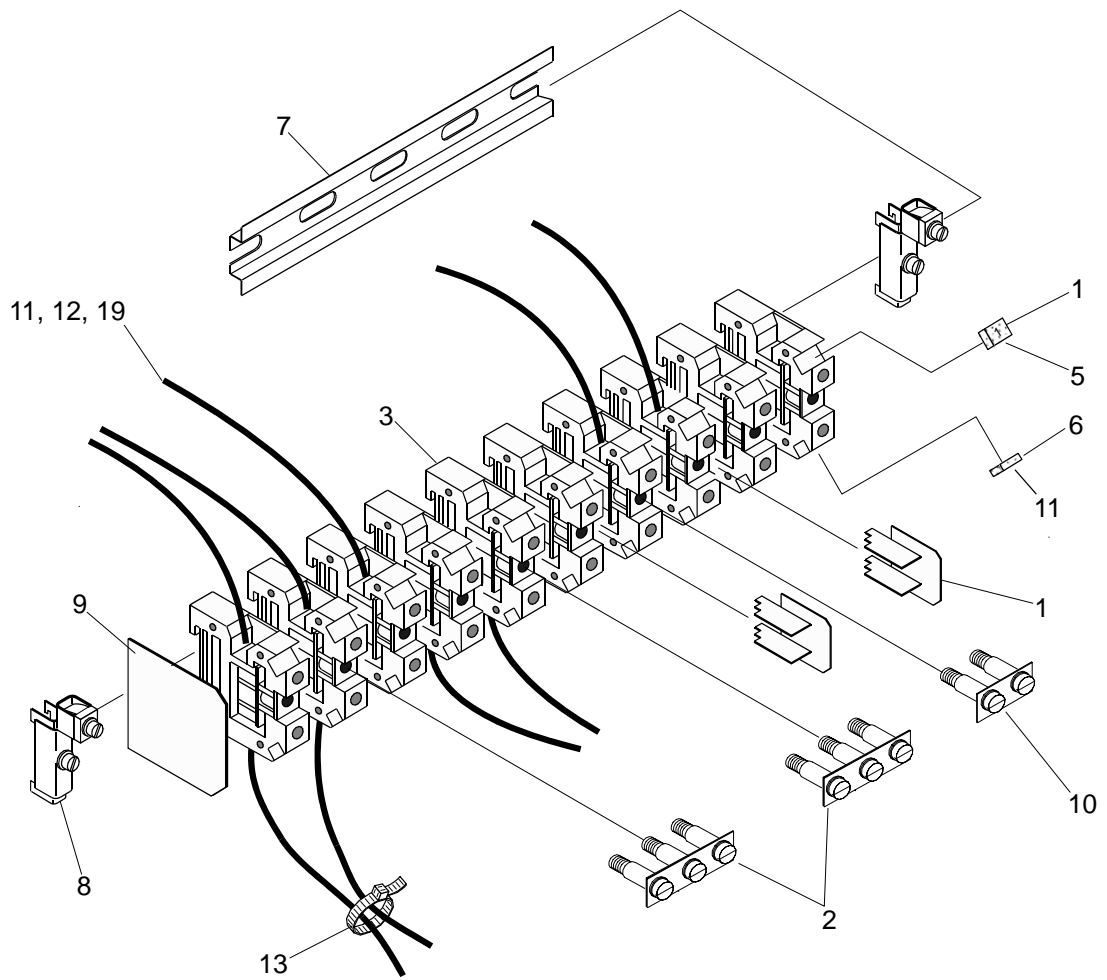
9 Plinth

Original Drawing	1000 7417
-------------------------	-----------

9.1 Spare Parts

Pos.	Part No.	Description	Note
1	1569 0059	Diaphragm	
2	1561 0132	Bridge connector	
3	1561 0024	Connector block	
5	1569 0056	Branding plinth	
6	1569 0058	Branding plinth	
7	1000 6932	Fastening rail	
8	1561 0032	Ground clamp	
9	1561 0030	End plate	
10	1561 0031	Bridge connector	
11	1561 0475	Cable, brown	
12	1561 0474	Cable, blue	
13	1569 0009	Cable tie	
19	1561 0513	Cable, yellow/green	

9.2 Parts Illustration



1024022b

Fig. 1:1 Plinth

10 Stirring Motor

Original Drawing	1000 2160 (230 V), 1000 2210 (115 V)
-------------------------	--------------------------------------

10.1 Spare Parts

Pos.	Part No.	Description	Note
1	1573 0004	Fan wing	
2	1571 0010	Motor	230V
2	1571 0012	Motor	115V
3	1000 2186	Pump axle	
5	1539 0045	Spacer	
8	1000 7437	Bush for fan wing	
9	1561 0174	Bootlace ferrule	

10.2 Parts Illustration

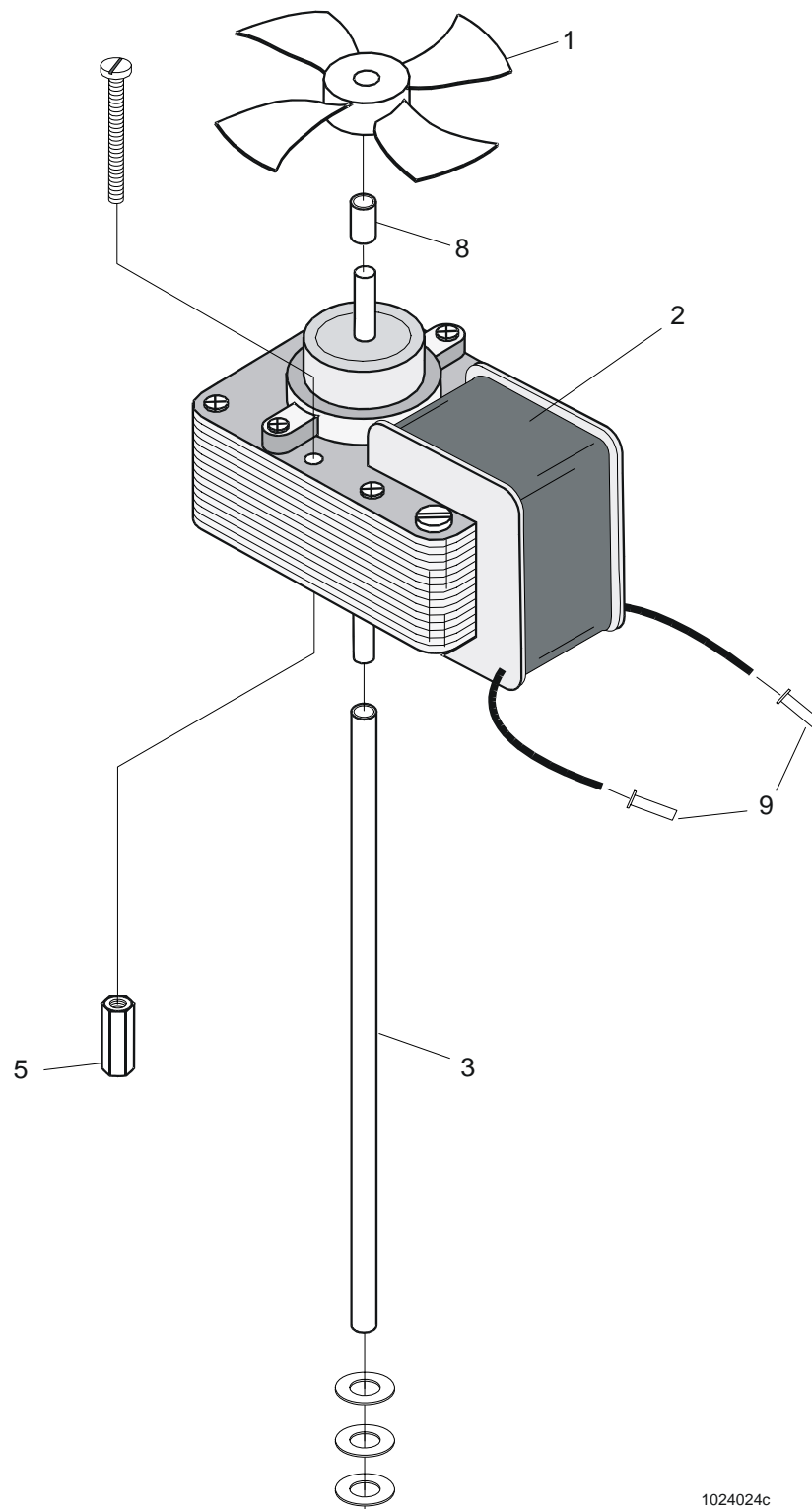


Fig. 1:1 *Stirring Motor*

1024024c

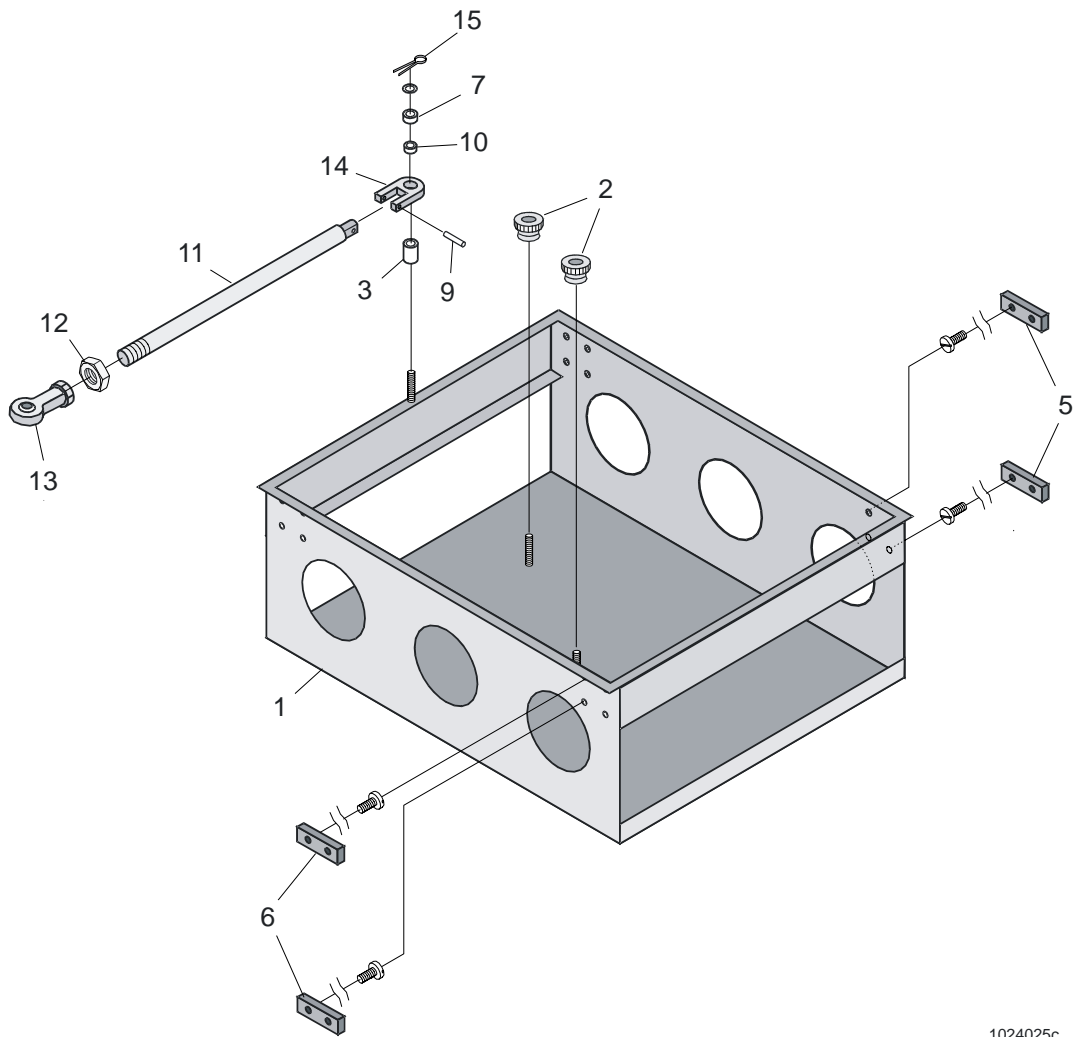
11 Shaking Table

Original Drawing	1000 2218
-------------------------	-----------

11.1 Spare Parts

Pos.	Part No.	Description	Note
1	1000 2164	Shaking table	
2	1537 0031	Nut	
3	1000 2167	Spacer	
5	1000 2159	Steering guide	
6	1000 2161	Rail guide	
7	1582 0204	EPDM tubing	
9	1539 0043	Cylindrical pin	
10	1545 0026	Bearing	
11	1000 2168	Link rod	
12	1537 0017	Nut	
13	1545 0030	Ball joint	
14	1000 2429	Link plate	
15	1539 0013	Split pin	

11.2 Parts Illustration



1024025c

Fig. 1:1 Shaking Table

