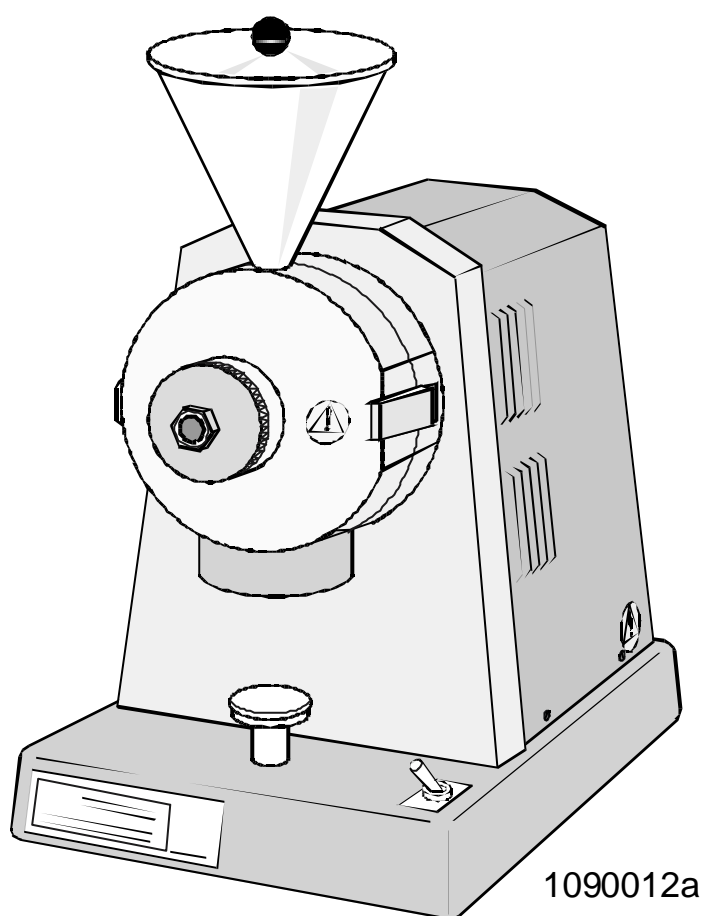

1090 Cemotec Sample Mill

Parts List

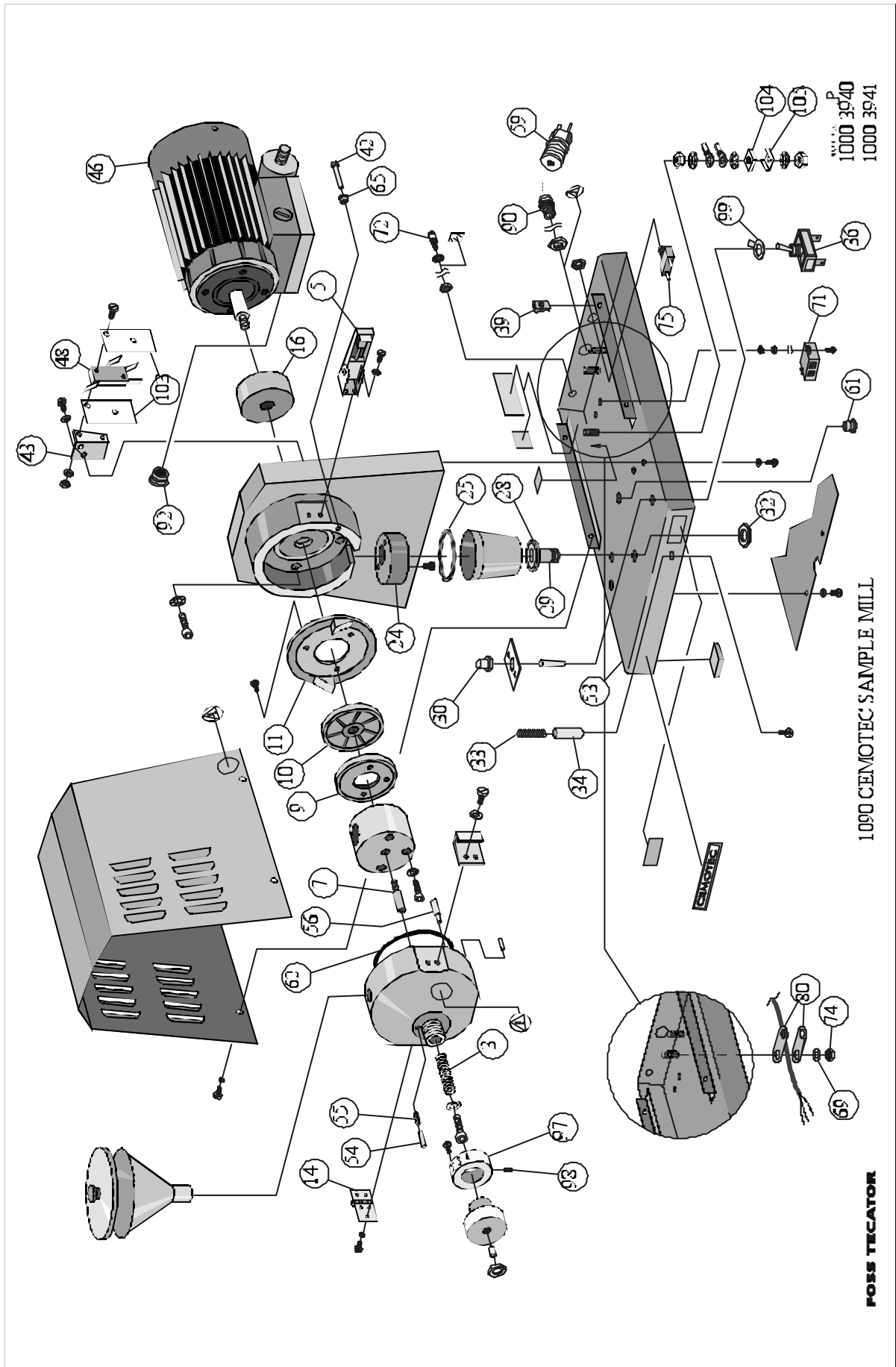
1000 4871 / Rev. 2.1



N.B Screws, nuts and washers are shown but not designated in this parts list!

Designation:	1000 3940, 1090 Cemotec Sample Mill, 230V 50/60Hz 1000 3941, 1090 Cemotec Sample Mill, 115V 50/60Hz
General Drawing:	1090010b
Effective from serial no:	to serial no:

Pos	Part number	Designation	Remarks
3	1541 0013	Spring	
5	1544 0025	Buckle	
7	1000 3910	Rod piston	
9,10	1000 3965	Grinding discs	Sold as pair one fixed and one rotating are included
11	1000 3914	Driving disc	
14	1000 4548	Hinge assembly	
16	1000 3919	Sealing	
25	1000 3922	Seal for sample bottle	
28	1547 0076	Steel button	
29	1000 3925	Cylinder sample bottle bracket	
30	1549 0044	Rubber cap	
32	1537 0005	Nut, 3/8"	
33	1541 0014	Spring	
34	1000 3932	Piston, sample bottle bracket	
36	1563 0169	Switch	250V 6A
42	1000 3933	Pin	
43	1000 3934	Switch fastening plate	
46	1571 0019	Motor	
46	1571 0020	Motor	
48	1563 0029	Micro switch	
54	1000 3936	Pin	
55	1541 0015	Spring	
56	1539 0159	Guide pin	
59	1565 0009	Cable stand	230 V, 3X1.5
59	1565 0061	Cable stand	115 V, 3xAWG18
61	1565 0061	Rubber grommet	
62	1542 0064	O-ring	
65	1545 0035	Bronze bearing	
71	1569 0079	Plinth	
72	1561 0121	Grounding screw	
75	1564 0054	Thermo fuse	230 V
75	1564 0055	Thermo fuse	115 V
92	1569 0026	Reducing nipple	
98	1536 0034	Stop screw	
99	1538 0061	Locking washer, 18.3x12.1	
103	1000 7082	Insulation	
104	1537 0045	Square nut	
105	1538 0048	Collar washer 10.2x4.2	



This page is intentionally not used.