
Soxtec™ 2046 Control Unit Spare Parts Manual

1001 2360 / Rev. 2



Information may be changed or updated without notice. The latest version is found at www.foss.dk.

Rev.	Date of Issue	Revised Material
2	2006-07-31	Layout improved. Spare part numbers updated.

NOTE: Please note that all information is liable to change without prior notice.

Please inform Market Communication Dpt - Technical Communication Team at the address given below, if you have any opinions about or proposals for changes to this manual.

Market Communication Dpt - Technical Communication Team

e-mail tig@foss.dk

FOSS Analytical AB, Box 70, SE-263 21 Höganäs, Sweden

Tel Int +46 42 361500, Fax +46 42 340349

Table of Contents

1	General	1
2	Control Unit	2
2.1	Spare Parts	2
2.2	Parts Illustration	3

1 General

This document contains Spare Parts for Soxtec™ 2046 Control Unit.

Note

Please read Safety Precautions in the Service Manual prior to maintenance or exchange of spare parts.

Note

Screws, nuts and washers are shown but not designated in this manual.

2 Control Unit

Original Drawing	1001 1636 (230 V), 1001 1864 (115 V)
-------------------------	--------------------------------------

2.1 Spare Parts

Pos.	Part No.	Description	Note
11	1001 3693	Overlay	
12	1000 7037	Air nipple	
13	1000 1969	Support	
14	1000 7910	Main board Control Unit 230V	
14	1000 7912	Main board Control Unit 115V	
15	1565 0299	Chassis connector	
17	1568 0023	Hum eliminator	
21	1000 7399	Thermo connector	
30	1577 0008	Air pump 230V	
30	1000 1800	Air pump 115V	
-	1577 0014	Membrane air pump	Not illustrated
34	1561 0121	Safe ground screw	
35	1562 0022	Solid state relay	
36	1563 0111	Switch	
37	1565 0289	Mains inlet 230V	Note: 230V
42	1539 0045	Spacer	
48	1539 0065	Spacer	
49	5539 0083	Spacer	
82	1561 0597	Mains cable	
92	1001 3710	Electricity box	
93	1001 1458	Rear cover plate	
94	1564 0091	Fuse holder	
95	1564 0033	Fuse 5x20 T8AH	230V instrument
95	1564 0053	Fuse 6,3x32 60T 12,5AT	115V instrument
96	1000 5947	Angular holding plate	

2.2 Parts Illustration

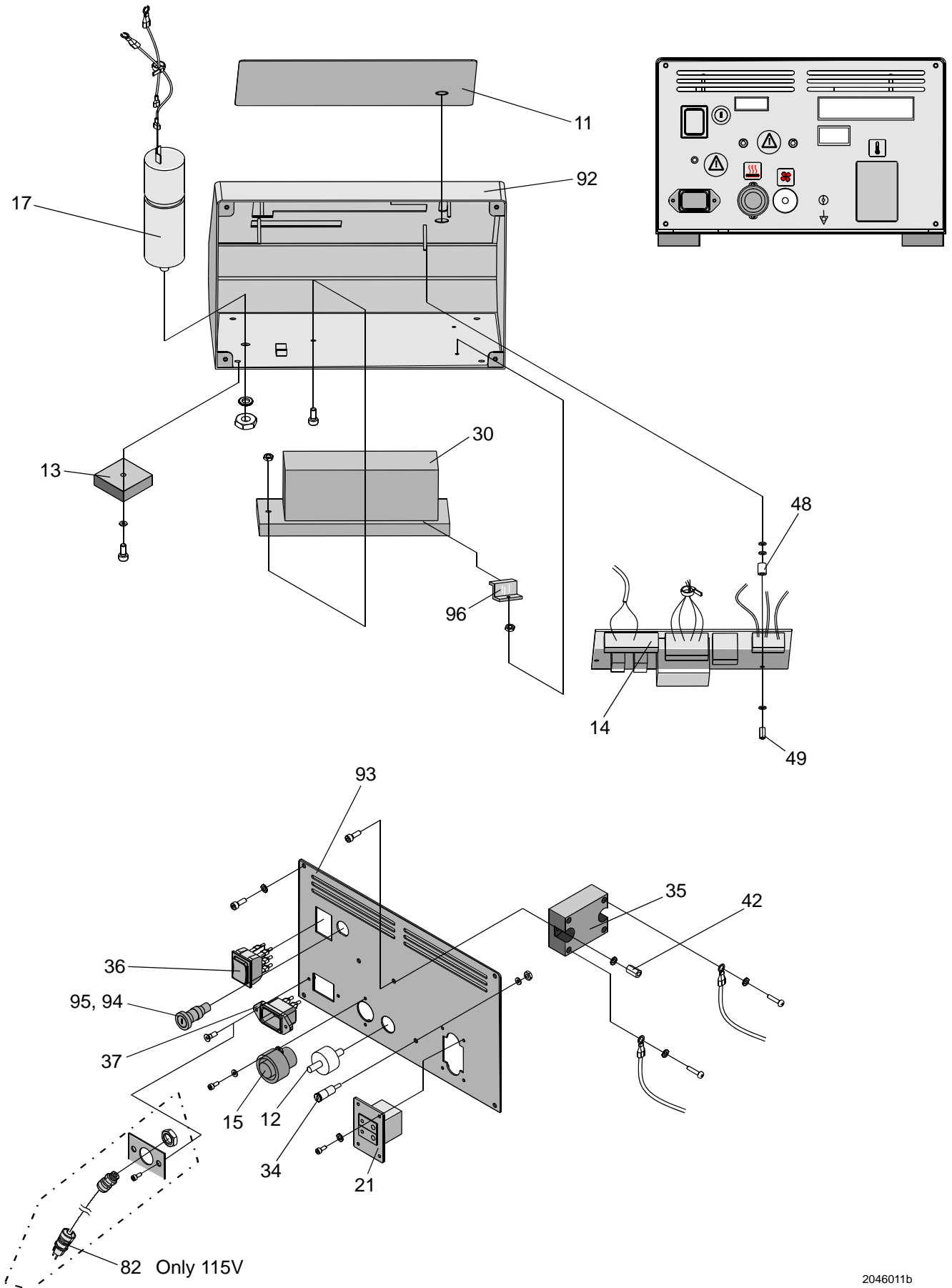


Fig. 1 Control Unit

