
Soxtec™ 2055 Manual System Spare Parts Manual

1000 9121 / Rev. 2



Information may be changed or updated without notice. The latest version is found at www.foss.dk.

Rev.	Date of Issue	Revised Material
2	2006-08-01	Layout improved. Spare parts updated.

NOTE: Please note that all information is liable to change without prior notice.

Please inform Market Communication Dpt - Technical Communication Team at the address given below, if you have any opinions about or proposals for changes to this manual.

Market Communication Dpt - Technical Communication Team

e-mail tig@foss.dk

FOSS Analytical AB, Box 70, SE-263 21 Höganäs, Sweden

Tel Int +46 42 361500, Fax +46 42 340349

Table of Contents

1	General	1
2	Extraction Unit 2055	2
2.1	Spare Parts	2
2.2	Parts Illustration	5
3	Innergable Left	6
3.1	Spare Parts	6
3.2	Parts Illustration	7
4	Innergable Right	8
4.1	Spare Parts	8
4.2	Parts Illustration	9
5	Condenser	10
5.1	Spare Parts	10
5.2	Parts Illustration	11
6	Connection Plate	12
6.1	Spare Parts	12
6.2	Parts Illustration	13
7	Sample Rod Mechanism	14
7.1	Spare Parts	14
7.2	Parts Illustration	15
8	Control Unit 2055	16
8.1	Spare Parts	16
8.2	Parts Illustration	17

1 General

This document contains Spare Parts for Soxtec™ 2055 Manual System.

Note

Please read Safety Precautions in the Service Manual prior to maintenance or exchange of spare parts.

Note

Screws, nuts and washers are shown but not designated in this manual.

2 Extraction Unit 2055

Original Drawing	1000 8042, (220 V), 1000 8043 (115 V)
-------------------------	---------------------------------------

2.1 Spare Parts

Pos.	Part No.	Description	Note
1	1000 5951	Handle	
2	1000 5952	Knob	
3	1000 5953	Tubular pin	
5	1001 3627	Panel cover	Right side
6	1001 3628	Panel cover	Left side
7	1000 5766	Gable	Right
8	1000 5767	Gable	Left
9	1001 3629	Top lid	
10	1000 7826	Hot plate cpl	230V
10	1000 7827	Hot plate cpl	115V
11	1000 7343	Front glass cpl	
12	1000 8047	Innergable left	See page 6
13	1000 8048	Innergable right	See page 8
14	1000 7346	Condenser cpl	See page 10
15	1000 7347	Connection plate cpl	See page 12
16	1000 8049	Sample rod mechanism cpl	See page 14
17	1000 8262	Inspection door	
19	1000 1969	Foot	
20	1000 2259	Support ring	
23	1000 5746	Valve holder	
24	1000 5749	Condenser adapter	
25	1000 5751	Condenser beam	
26	1000 5753	Condenser nut	
27	1000 5754	Glide piece for condenser beam	
28	1000 5755	Shaft holder	
29	1000 5756	Glide piece for sample rod mechanism	
30	1000 5763	Sample rod beam	
31	1000 5764	Back wall	
32	1000 5765	Base plate	
33	1000 5771	Shaft for lifting condenser beam	
36	1000 5945	Holder for innergable	
37	1000 5994	Solvent collection vessel	
38	1000 5997	Solvent level tube	
39	1000 6488	Solvent vessel stand	

Pos.	Part No.	Description	Note
40	1000 6489	Top	
41	1000 6490	Hot plate frame	
42	1000 6491	Front wall	Upper
43	1000 6492	Front wall	Lower
44	1000 6493	Rear cover	
45	1000 6803	Wheel	
46	1000 6804	Wheel holder	
47	1000 6805	Rod	
48	1000 6806	Counter weight	
49	1000 6810	Spring holder	
50	1000 6866	Y-connection	
51	1000 6870	Spacer	
53	1000 9960	Hinge top	
54	1000 9961	Hinge top	
55	1001 3630	End piece	
56	1000 7226	Air tube connector	
57	1000 5954	Positioning pin	
58	1000 7752	Lable for condenser position	
59	1000 7753	Lable for thimble position	
60	1000 7775	Wire	
61	1000 7231	Handle, solvent valve	
62	1000 7323	Lift arm, sample rod	
63	1000 7325	Lift arm, condenser beam	
64	1000 7326	Spring, condenser	
65	1000 7327	Spring, sample rod	
66	1541 0027	Tension spring	
67	1000 7453	Slide bearing	
68	1545 0077	Slide bearing	
69	1000 7834	Condenser positioning wheel	
70	1582 0204	Tubing EPDM	6x12
72	1566 0140	Temperature sensor	
73	1565 0298	Plug	
74	1001 2251	Teflon tube	8x10
77	1000 1416	Connection plug	
78	1586 0003	Hose connection	
79	1582 0005	Tubing PVC	4x6
89	1545 0078	Slide bearing	
100	1545 0005	Balljoint	
101	1000 7711	Airtube cpl	
102	1541 0029	Spring	
104	1000 7835	Sample rod positioning wheel	

Pos.	Part No.	Description	Note
107	1545 0075	Slide bearing	
110	1575 0072	Valve	
111	1539 0148	Spacer	
118	1549 0008	Line for glassfront	
119	1582 0186	Luer lock female	
120	1581 0134	Solvent vessel holder	
121	1582 0188	Luer lock mounting ring	
122	1582 0189	Teflon tubing	3x4
126	1539 0145	Tubular pin	
129	1539 0147	Spacer	
130	1582 0187	Luer lock nut	
135	1561 0172	Hot plate connector housing	
137	5539 0034	Spacer	
144	1539 0146	Tubular pin	
154	1565 0293	Temperature sensor connector	
164	1561 0246	Lead through nut	
165	1561 0279	Lead through seal	
166	1561 0248	Lead through seal for temp. sensor	
-	1000 8044	Control unit	See page 16

2.2 Parts Illustration

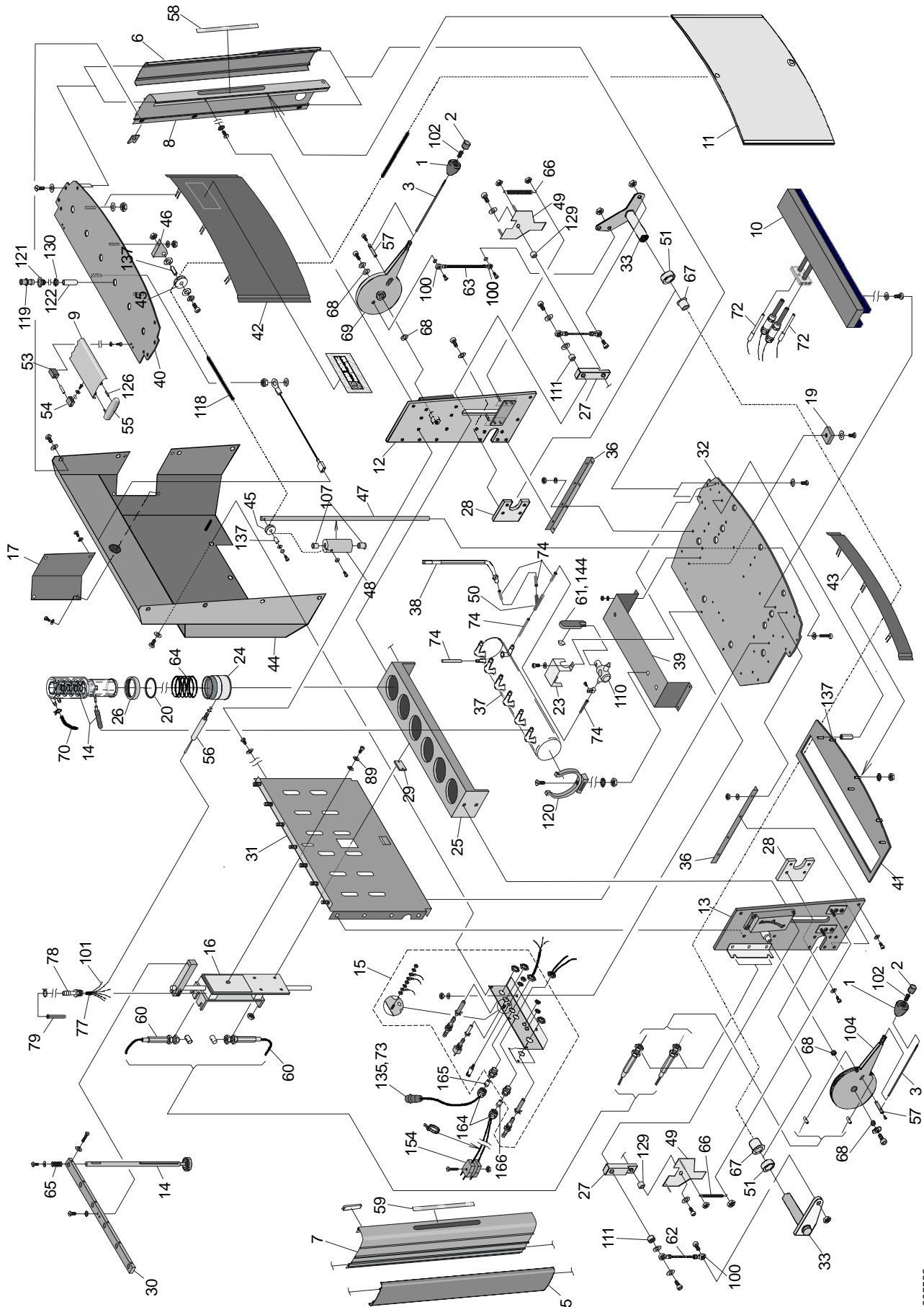


Fig. 1 Extraction unit 2055

3 Innergable Left

Original Drawing	1000 8047
-------------------------	-----------

3.1 Spare Parts

Pos.	Part No.	Description	Note
1	1000 5874	Condenser positioner	
2	1000 5772	Innergable left	
3	1000 5877	Holder	
4	1000 6809	Holder	
5	1000 6811	Holder	
6	1000 7320	Slide film	

3.2 Parts Illustration

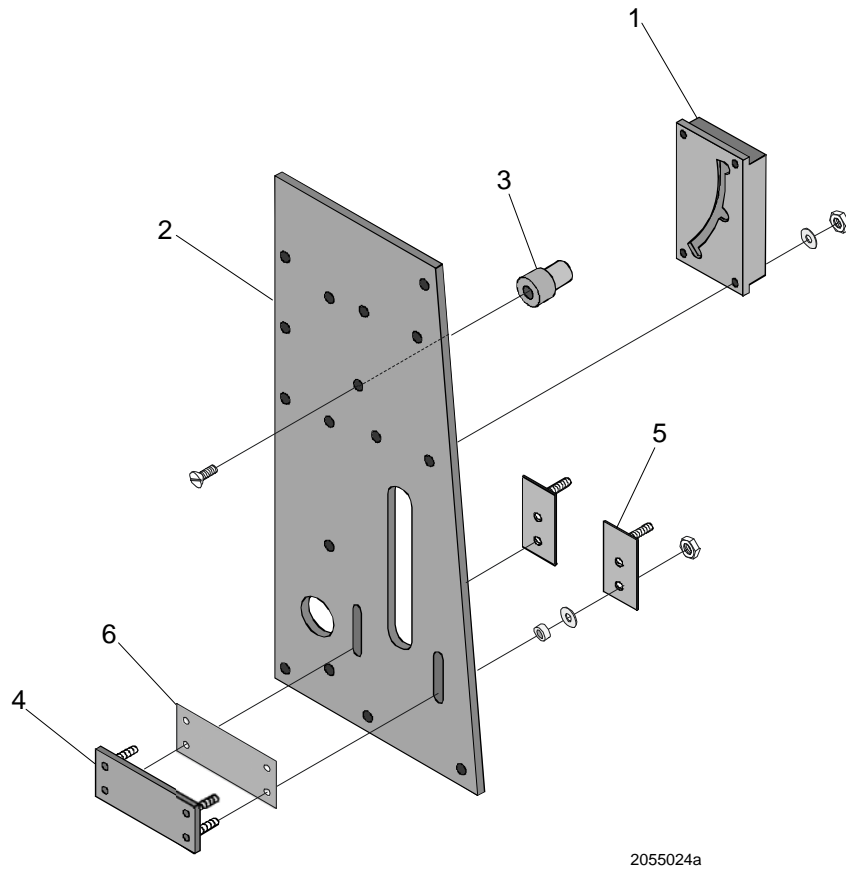


Fig. 2 *Innervable left*

4 Innergable Right

Original Drawing	1000 8048
-------------------------	-----------

4.1 Spare Parts

Pos.	Part No.	Description	Note
1	1000 5757	Innergable right	
2	1000 8101	Holder	
3	1000 6811	Holder	
4	1000 7320	Slide film	
5	1539 0073	Spacer	
9	1000 5752	Wire holder	
12	1000 5877	Holder	
13	1000 8023	Sample rod positioner	

4.2 Parts Illustration

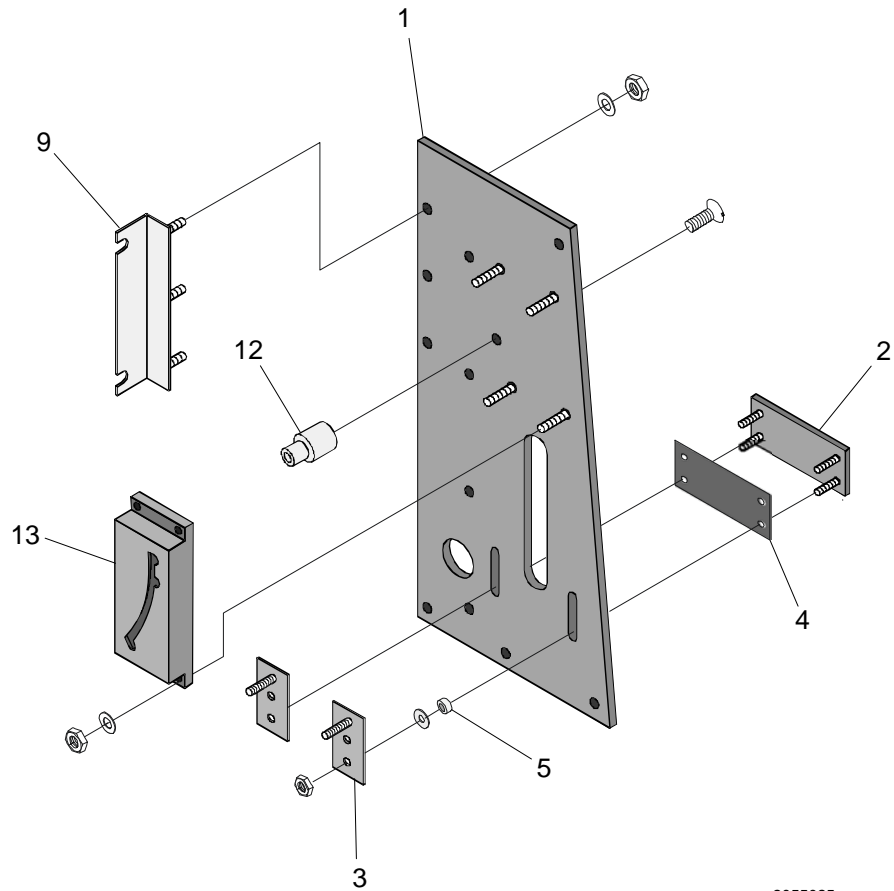


Fig. 3 *Innergable right*

5 Condenser

Original Drawing	1000 7346
-------------------------	-----------

5.1 Spare Parts

Pos.	Part No.	Description	Note
1	1000 1450	Magnet	
2	1000 1866	Magnet holder	
3	1000 5747	Sample rod	
4	1000 8024	Stopper	
5	1000 5993	Condenser	
6	1000 7329	Flexible teflontube	
7	1536 0057	Screw	
8	1000 8301	Sample rod cpl	
-	1001 1728	Magnet and magnet holder	
-	1001 1729	Magnet PTFE and magnet holder	

5.2 Parts Illustration

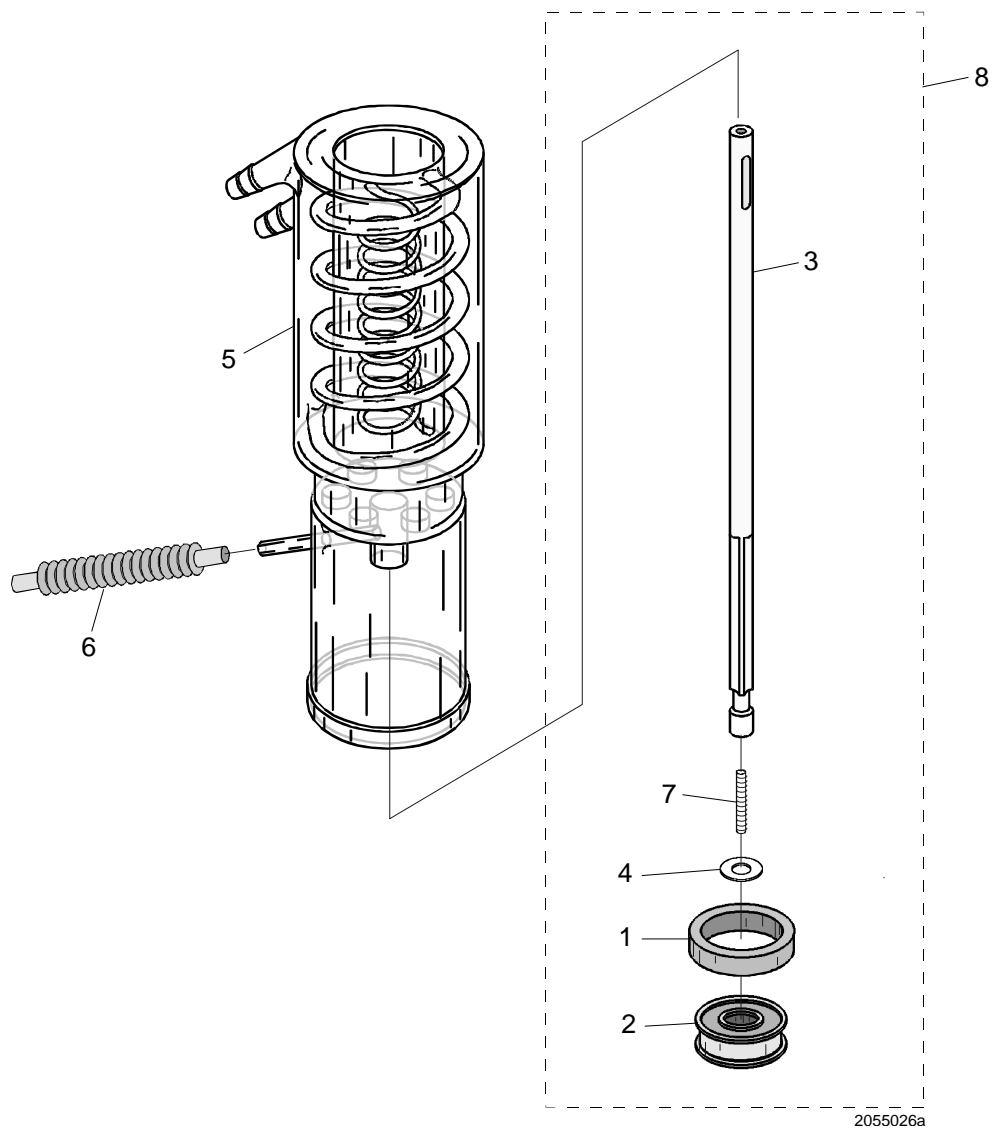


Fig. 4 Condenser

6 Connection Plate

Original Drawing	1000 7347
-------------------------	-----------

6.1 Spare Parts

Pos.	Part No.	Description	Note
1	1000 1012	Double nipple, water	
2	1000 6487	Connection plate	
3	1000 7037	Nipple, air	
4	1000 7308	Label	
6	1561 0247	Lead through tube	
8	1537 0075	Lock nut	
10	1537 0005	Lock nut	
13	1561 0121	Earth/ground connection	
14	1569 0003	Rubber grommet	

6.2 Parts Illustration

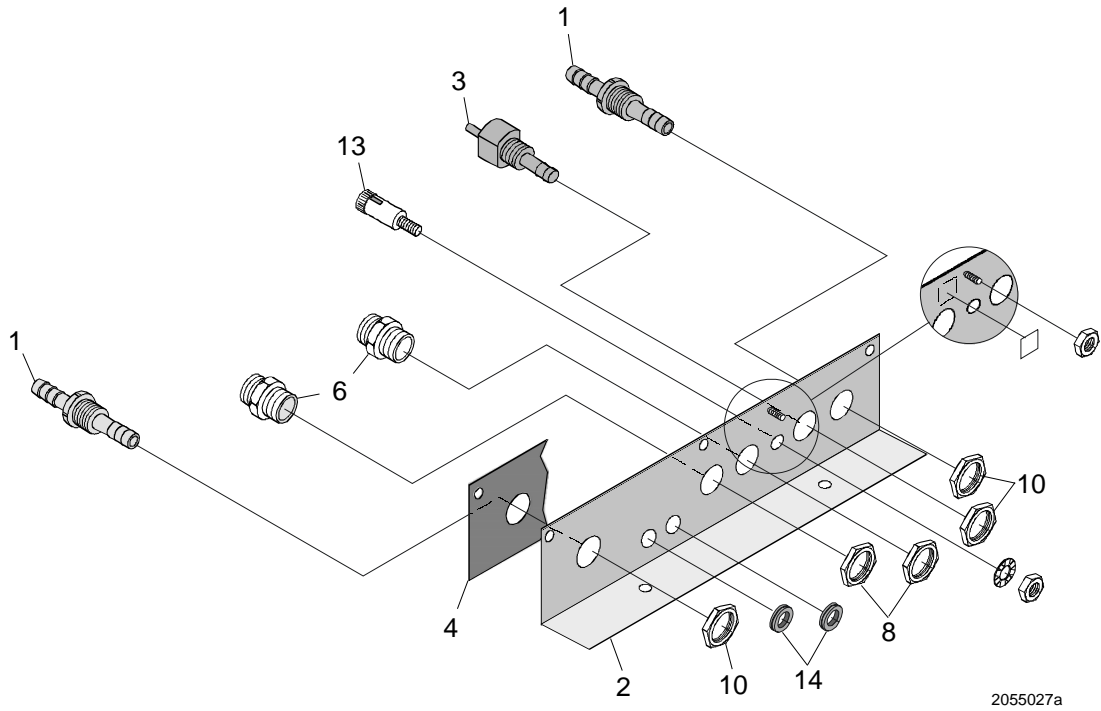


Fig. 5 Connection plate

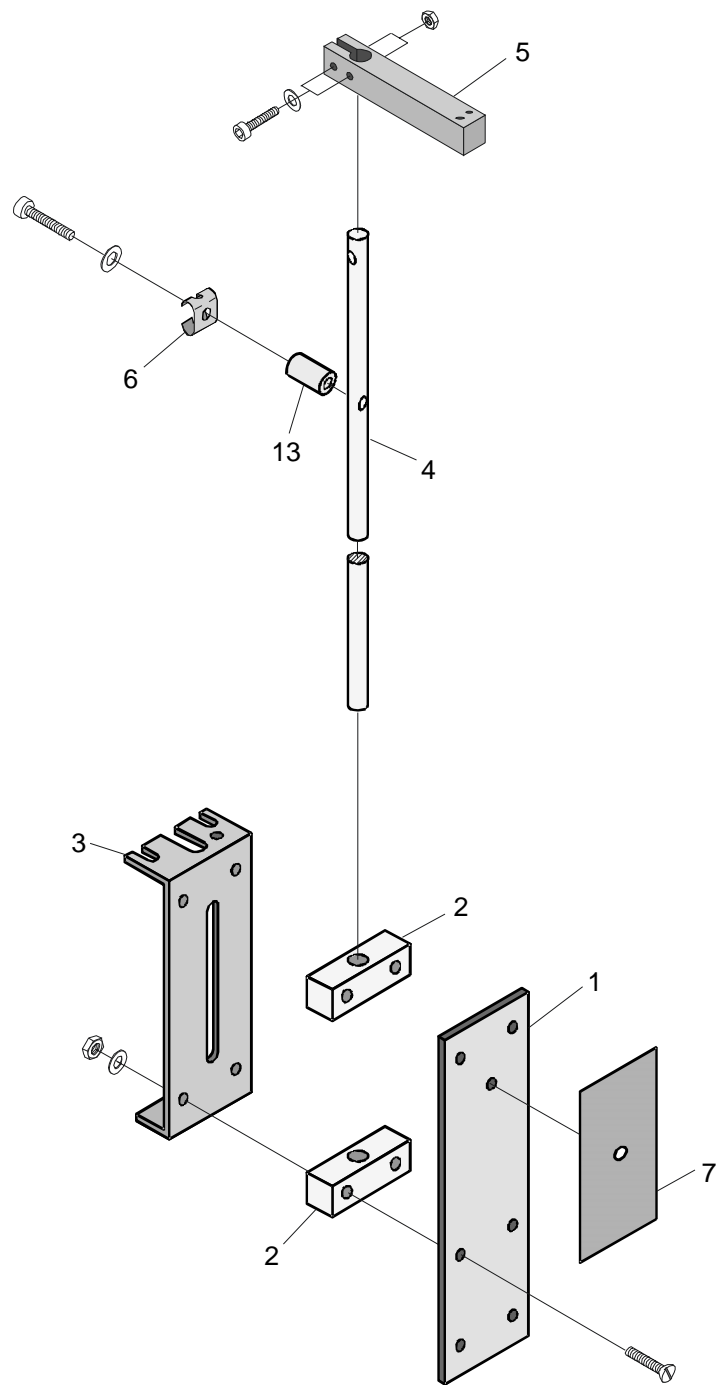
7 Sample Rod Mechanism

Original Drawing	1000 8049
-------------------------	-----------

7.1 Spare Parts

Pos.	Part No.	Description	Note
1	1000 5758	Backing plate	
2	1000 5759	Guide block	
3	1000 5760	Guide plate	
4	1000 5761	Rod	
5	1000 5762	Beam	
6	1000 7788	Wire holder	
7	1000 7321	Slide film	
13	1539 0143	Distance	

7.2 Parts Illustration



2055028a

Fig. 6 Sample rod mechanism

8 Control Unit 2055

Original Drawing	1000 8044 (230 V), 1000 7601 (115 V)
-------------------------	--------------------------------------

8.1 Spare Parts

Pos.	Part No.	Description	Note
2	1000 5947	Holder for airpump	
3	1000 6963	Top	
4	1000 6964	Rear cover	
5	1000 6965	Front	
6	1000 6966	Base plate	
7	1000 6967	Gable left	
8	1000 6968	Gable right	
9	1001 3631	Panel left	
10	1001 3632	Panel right	
11	1001 3684	Overlay 2055	
12	1000 7037	Airtube connection	
13	1000 1969	Foot	
14	1000 7910	PCB Control Unit	230V
14	1000 7912	PCB Control Unit	115V
15	1565 0299	Contact hot plate	
17	1568 0023	Filter	
18	1582 0005	Airtube, PVC	4x6
20	1000 7400	Cable cpl/ Control Unit	
21	1000 7399	CU Thermo connector	
30	1577 0008	Air pump	230V
30	1000 1800	Air pump	115V
-	1577 0014	Membrane for air pump	
35	1562 0022	Solid state relay	
36	1563 0111	Main switch	
37	1565 0289	Mains inlet	230V
37	1000 7903	Covering plate	115V
80	1561 0122	Grommet	115V
81	1561 0027	Nut	115V
82	1000 7907	Mains cable	115V

8.2 Parts Illustration

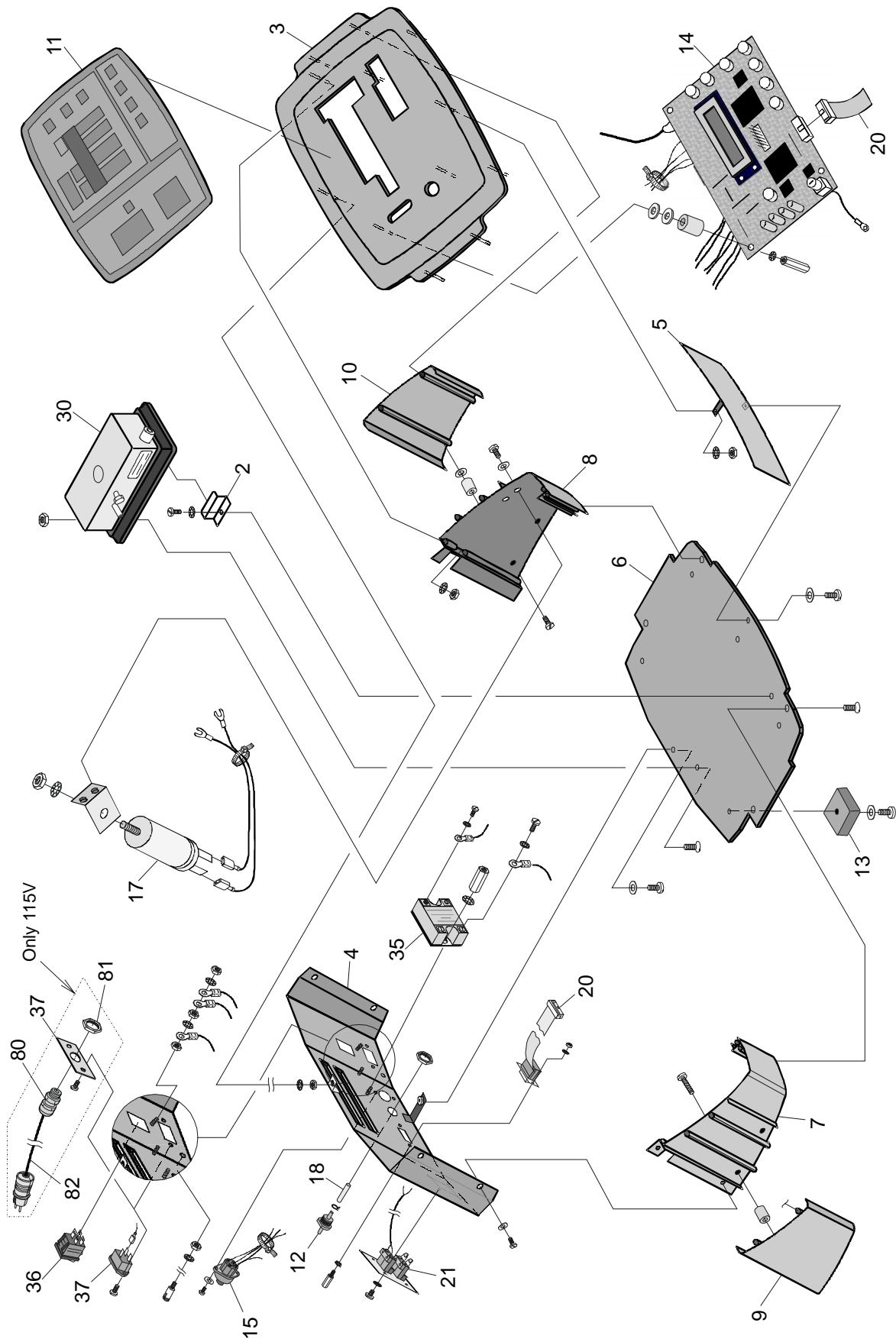


Fig. 7 Control unit 2055

