
FIStar™ 5000 Spare Parts Manual

1001 0040 / Rev. 4



Information may be changed or updated without notice. The latest version is found at www.foss.dk.

Rev.	Date of Issue	Revised Material
3	2006-11-22	Layout improvet.
4	2007-11-20	Spare parts updated.

NOTE: Please note that all information is liable to change without prior notice.

Please inform Customer Support Dpt - Technical Communication Team at the address given below, if you have any opinions about or proposals for changes to this manual.

Customer Support Dpt - Technical Communication Team

e-mail tig@foss.dk

FOSS Analytical AB, Box 70, SE-263 21 Höganäs, Sweden

Tel Int +46 42 361500, Fax +46 42 340349

Table of Contents

1	General	1
2	Basic Unit	2
2.1	Spare Parts	2
2.2	Parts Illustration	3
3	Pump Unit	4
3.1	Spare Parts	4
3.2	Parts Illustration	5
4	Injection Valve Unit	6
4.1	Spare Parts	6
4.2	Parts Illustration	7
5	Photometer Unit	8
5.1	Spare Parts	8
5.2	Parts Illustration	9
6	Thermostat unit	10
6.1	Spare Parts	10
6.2	Parts Illustration	11
7	Accessories	12
7.1	Spare Parts	12
7.2	Parts Illustration	13
8	Tubings	14
8.1	Spare Parts	14
8.2	Parts Illustration	15

1 General

This document contains Spare Parts for FIAstar™ 5000.

Note

Please read Safety Precautions in the Service Manual prior to maintenance or exchange of spare parts.

Note

Screws, nuts and washers are shown but not designated in this manual.

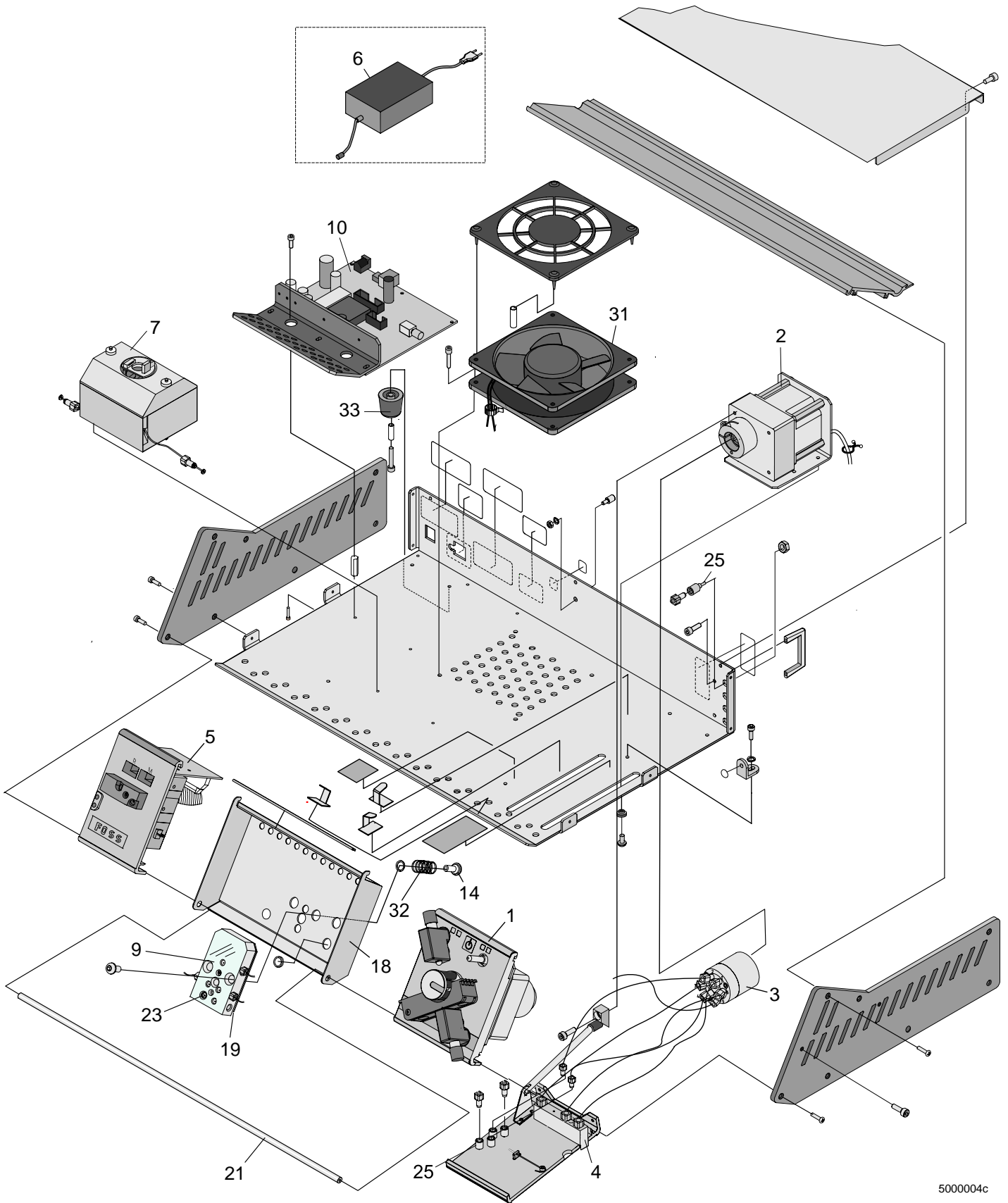
2 Basic Unit

Original Drawing	1000 9732
-------------------------	-----------

2.1 Spare Parts

Pos.	Part No.	Description	Note
1		Pump unit	See page 4
2	1000 9613	Valve drive unit	
3		Injection valve unit	See page 6
4	1000 9610	Connection block, sample	
5		Photometer unit	See page 8
6	1001 1934	Power supply	
7	1000 9740	Thermostat unit	See page 10
9	1000 9211	Cassette connecting block	
10	1001 1644	Main board	
14	1000 8984	Spring seat	
18	1000 9422	Cassette housing	
19	1000 9426	Connecting block support	
21	1000 9451	Support bar	
23	5000 1078	O-rings	Set of 10
25	1001 0019	Tube coupling 3.5 mm	
31	1573 0030	Fan	
32	5541 0001	Spring	
33	1547 0099	Foot	

2.2 Parts Illustration



5000004c

Fig. 1

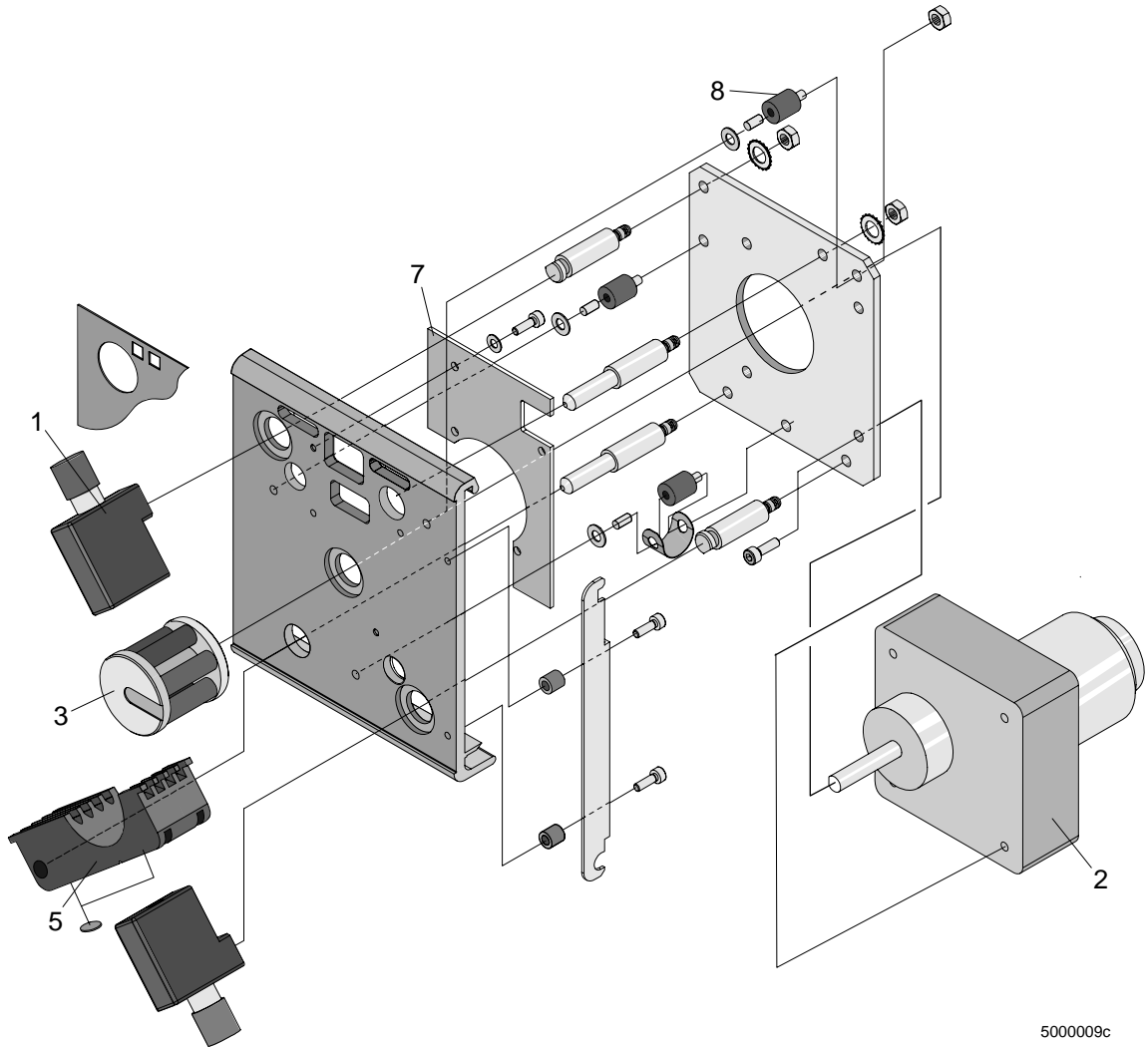
3 Pump Unit

Original Drawing	1000 9730
-------------------------	-----------

3.1 Spare Parts

Pos.	Part No.	Description	Note
1	1000 9979	Pump handle	
2	5000 3011	Pump motor	Incl. gear box
3	5000 1026	Pump wheel	
5	1001 2446	Pump tube holder	
7	1001 1642	Pump board assy.	
8	1544 0063	Motor cushion	

3.2 Parts Illustration



500009c

Fig. 2

4 Injection Valve Unit

Original Drawing	1000 9731
-------------------------	-----------

4.1 Spare Parts

Pos.	Part No.	Description	Note
1	1575 0086	Injection valve	
2	1575 0095	Rotor	Incl. in pos 1
3	1001 0277	Injection valve tube kit	
4	1001 0058	Tube, sample inlet	Not illustrated
5	1001 0056	Sample loops, 40 µl	Not illustrated
6	1000 9893	Sample loops, 100 µl	Not illustrated
7	1000 9894	Sample loops, 200 µl	Not illustrated
8	1001 0057	Sample loops, 400 µl	Not illustrated

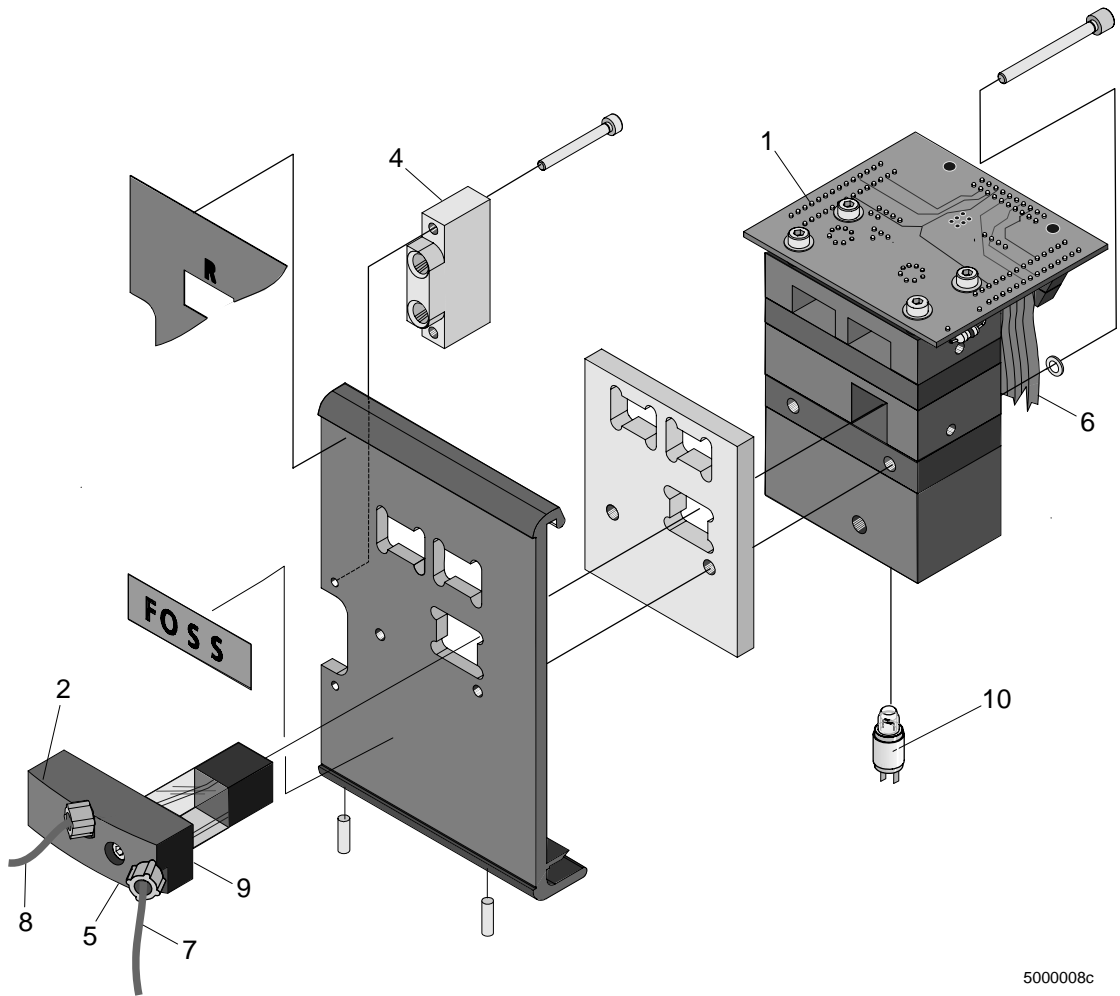
5 Photometer Unit

Original Drawing	1000 9733
-------------------------	-----------

5.1 Spare Parts

Pos.	Part No.	Description	Note
1	1001 1643	Photometer module	
2	1000 9508	Flow cell, complete	
4	1000 9608	Photometer connecting block	
5	1000 9175	Flow cell top	
6	1000 9663	Photometer cable	
7	1001 0053	Flow cell inlet tubing 15 cm / 0.5 mm id	
8	1001 0052	Flow cell outlet tubing 12 cm / 0.5 mm id	
9	5542 0019	Flow cell O-ring	Not illustrated
10	1001 4924	Lamp	Incl. in pos 1

5.2 Parts Illustration



5000008c

Fig. 4

6 Thermostat unit

Original Drawing	1000 9740
-------------------------	-----------

6.1 Spare Parts

Pos.	Part No.	Description	Note
5	1000 9895	Tubing	Incl. in 1000 9740

6.2 Parts Illustration

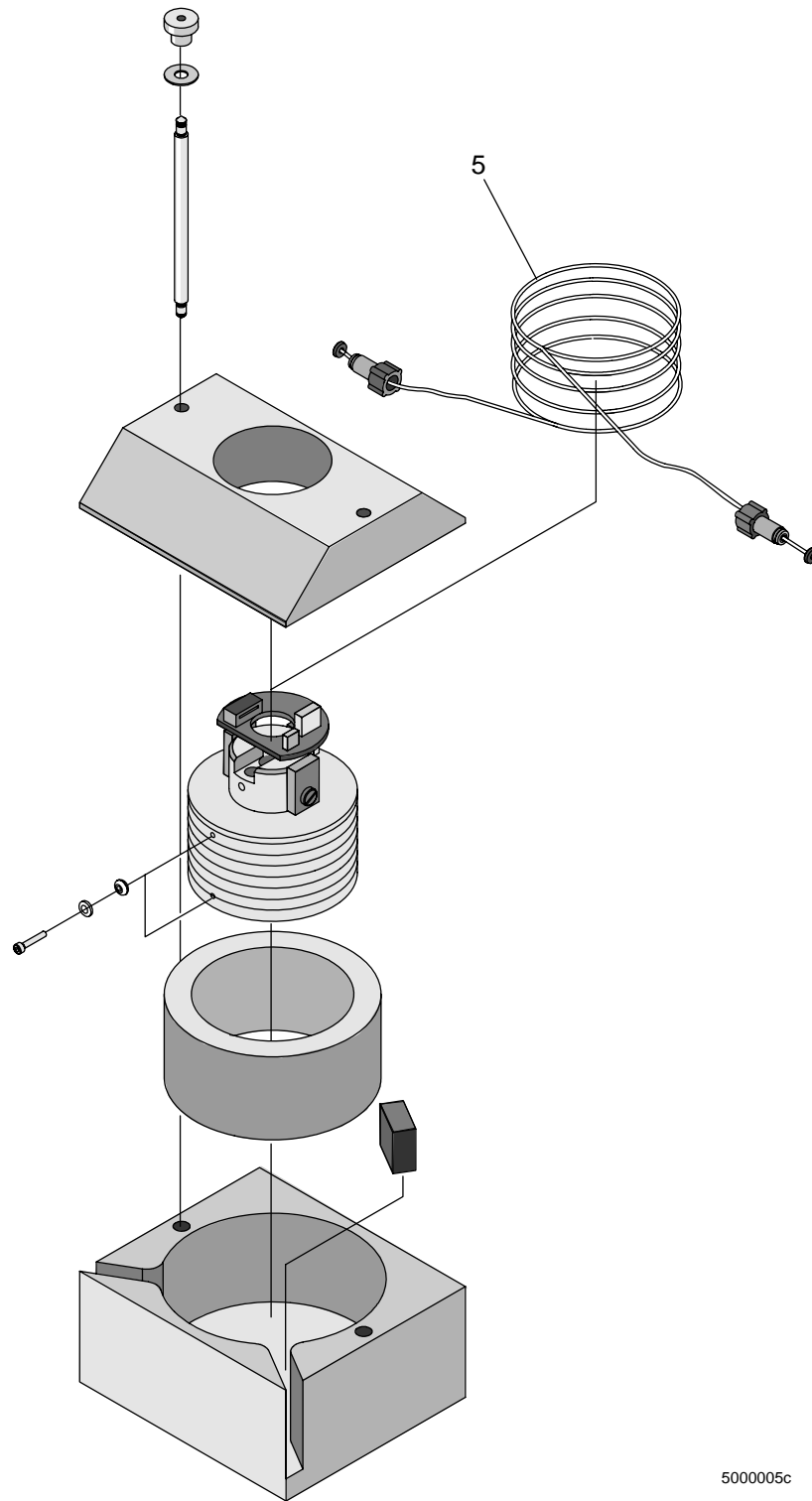


Fig. 5

5000005c

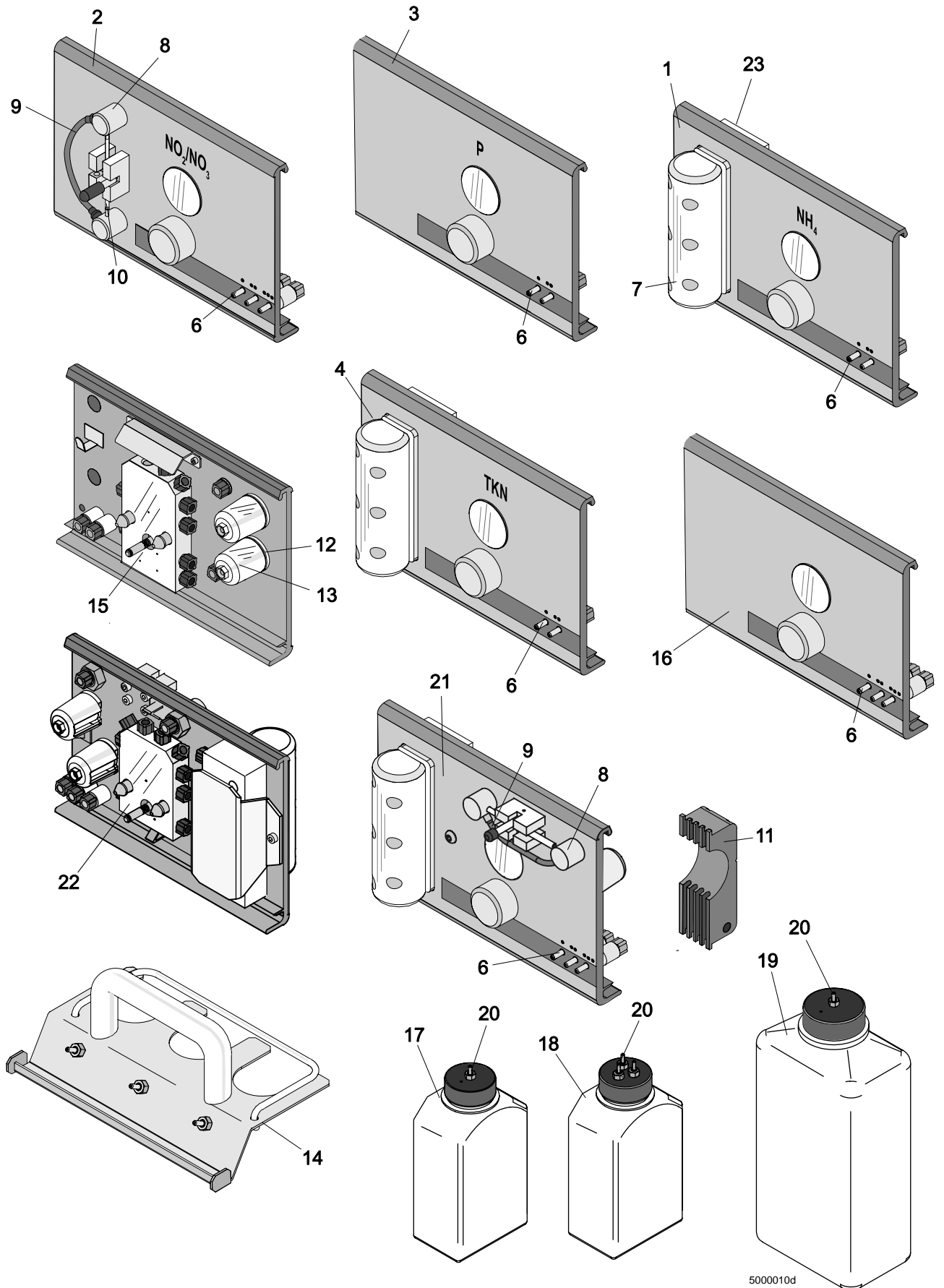
7 Accessories

Original Drawing	-
-------------------------	---

7.1 Spare Parts

Pos.	Part No.	Description	Note
1	1000 9736	NH ₄ Ammonium cassette, spare	
2	1000 9735	NO ₂ /NO ₃ Nitrite/Nitrate cassette, spare	
3	1001 0094	P Phosphate cassette, spare	
4	1001 0093	TKN cassette, spare	Total Kjeldahl Nitrogen
6	1001 0019	Tube coupling for cassettes	3,5 mm
7	1000 9243	Gas diffusion top block	
8	5000 3563	Column fitting	
9	5000 1423	By-pass tube	
10	1582 0212	Silicone tube	
11	1001 2446	Pump tube holder	
12	1000 9605	Tube coil	
13	1000 9606	Tube coil cover	
14	1000 9844	Cassette holder	
15	1000 9212	Cassette connecting block	
16	1001 0213	Blank cassette, spare	
17	1001 0083	Reagent bottle	
18	1001 0102	Rinse bottle	
19	1001 0084	Carrier bottle	
20	1001 0020	Tube coupling for bottles	3 mm
21	1001 1936	NO ₂ /NO ₃ Nitrite/Nitrate dialysis cassette, spare	
22	1001 1939	Cassette connecting block dialysis	
23	1000 9242	Gas diffusion unit, lower block	
-	1001 3550	Bottle, 1000 ml, 3 connectors	Not illustrated
-	1000 9897	Teflon tubing 9 cm / 0.5 mm id	Not illustrated
-	1001 0207	Teflon tubing set	Not illustrated, see page 14 for contents
-	1001 2352	Teflon tubing set	not illustrated, see page 14 for contents
-	1001 3481	FSO ₂ Free Sulphite cassette, spare	Not illustrated
-	1001 3480	TSO ₂ Total Sulphite cassette, spare	Not illustrated

7.2 Parts Illustration



5000010d

Fig. 6

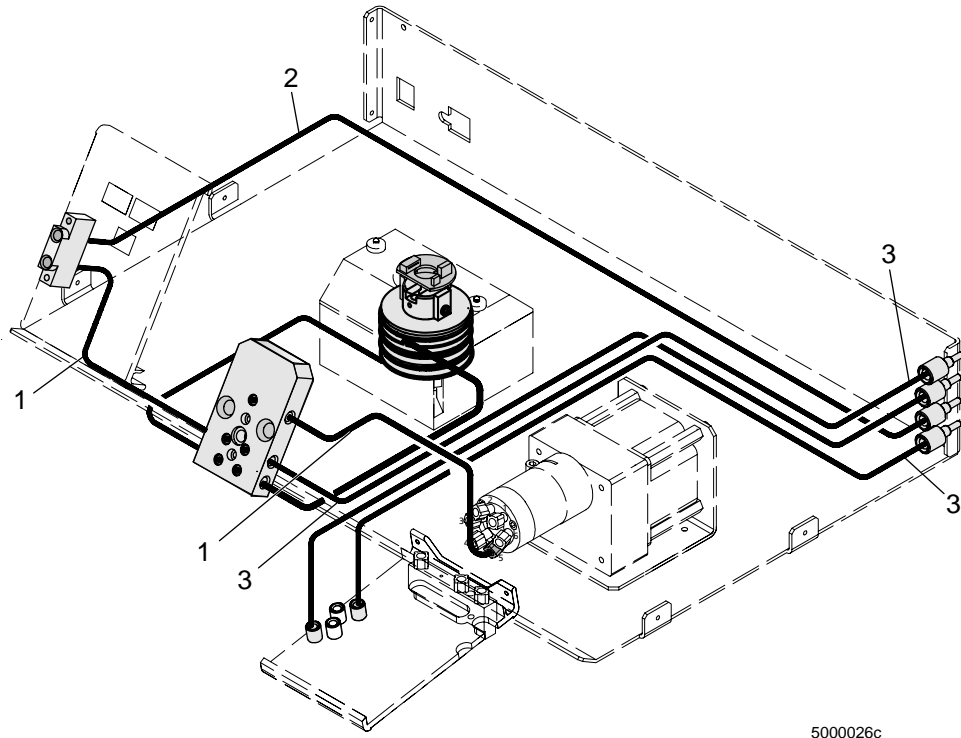
8 Tubings

Original Drawing	1000 9732
-------------------------	-----------

8.1 Spare Parts

Pos.	Part No.	Description	Note
1	1001 0319	Internal tubing kit	Red, 320 mm
2			Blue, 620 mm
3			Blue, 450 mm
4	1582 0210	Carrier / waste tubing	Not illustrated
5	1001 0207	Teflon tubing set: 1 ea Teflon tubing 30 cm / 0.35 mm id 2 ea Teflon tubing 21 cm / 0.5 mm id 2 ea Teflon tubing 30 cm / 0.5 mm id 2 ea Teflon tubing 60 cm / 0.5 mm id 2 ea Teflon tubing 30 cm / 0.7 mm id 2 ea Teflon tubing 60 cm / 0.7 mm id 2 ea Teflon tubing 12 cm / 0.5 mm id 2 ea Teflon tubing 15 cm / 0.5 mm id 2 ea Teflon tubing 9 cm / 0.5 mm id 2 ea Teflon tubing 6.5 cm / 0.5 mm id 1 ea Teflon tubing 150 cm / 0.7 mm id 2 ea Reaction Coil 30 cm / 0.5 mm id 2 ea Flanged Tube Union 4 ea Adhesive Tubing Holder	Not illustrated
6	1001 2352	Teflon tubing set: 1 ea Teflon tubing 21 cm / 0.5 mm id 1 ea Teflon tubing 30 cm / 0.5 mm id 1 ea Teflon tubing 60 cm / 0.5 mm id 1 ea Teflon tubing 12 cm / 0.5 mm id 1 ea Teflon tubing 15 cm / 0.5 mm id 1 ea Teflon tubing 9 cm / 0.5 mm id 1 ea Teflon tubing 7 cm / 0.5 mm id 1 ea Reaction Coil 30 cm / 0.5 mm id	Not illustrated

8.2 Parts Illustration



5000026c

Fig. 7

