

# FoodScan Pro/Lab

Type 78800

Spare Part Manual

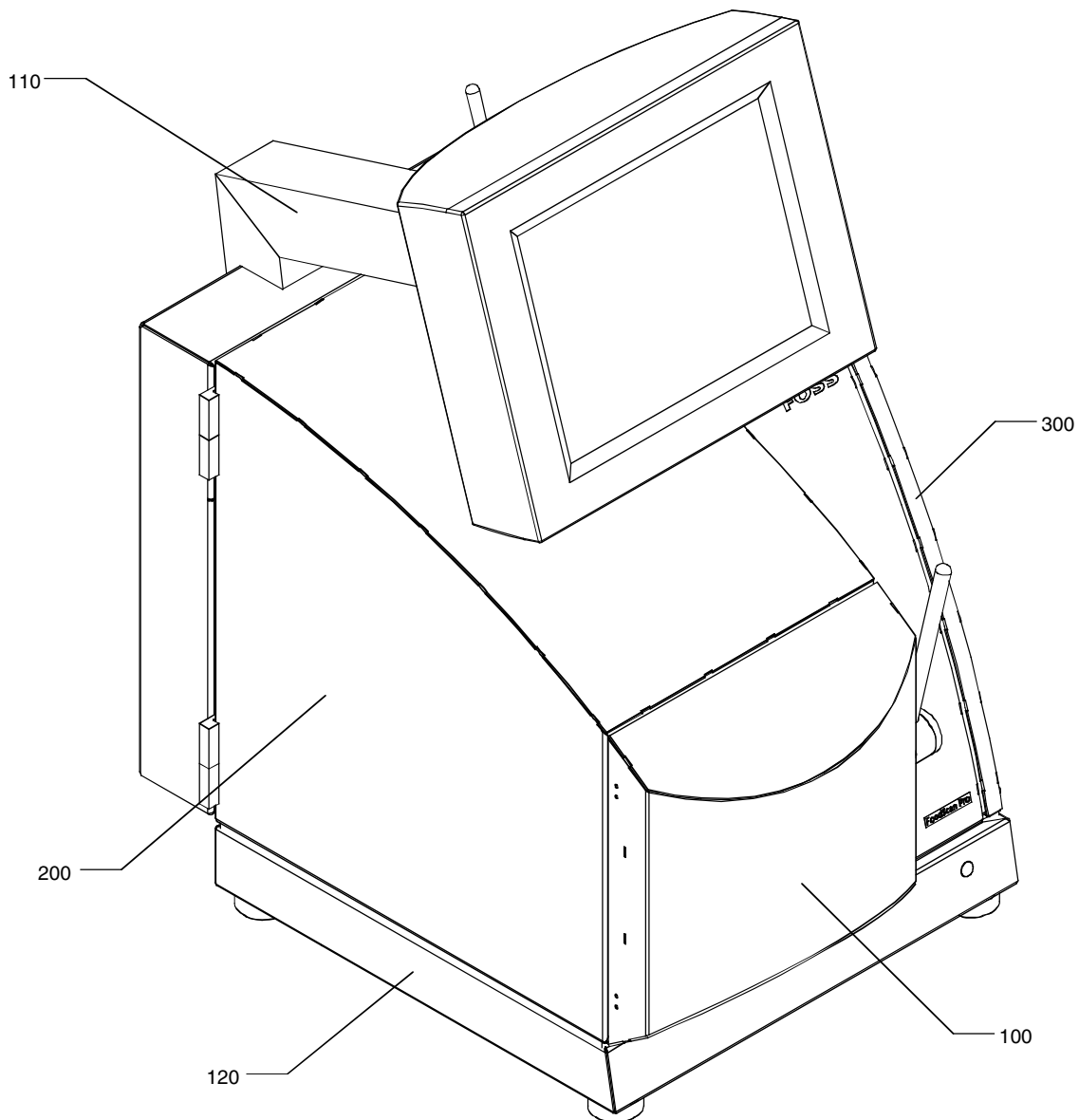
GB



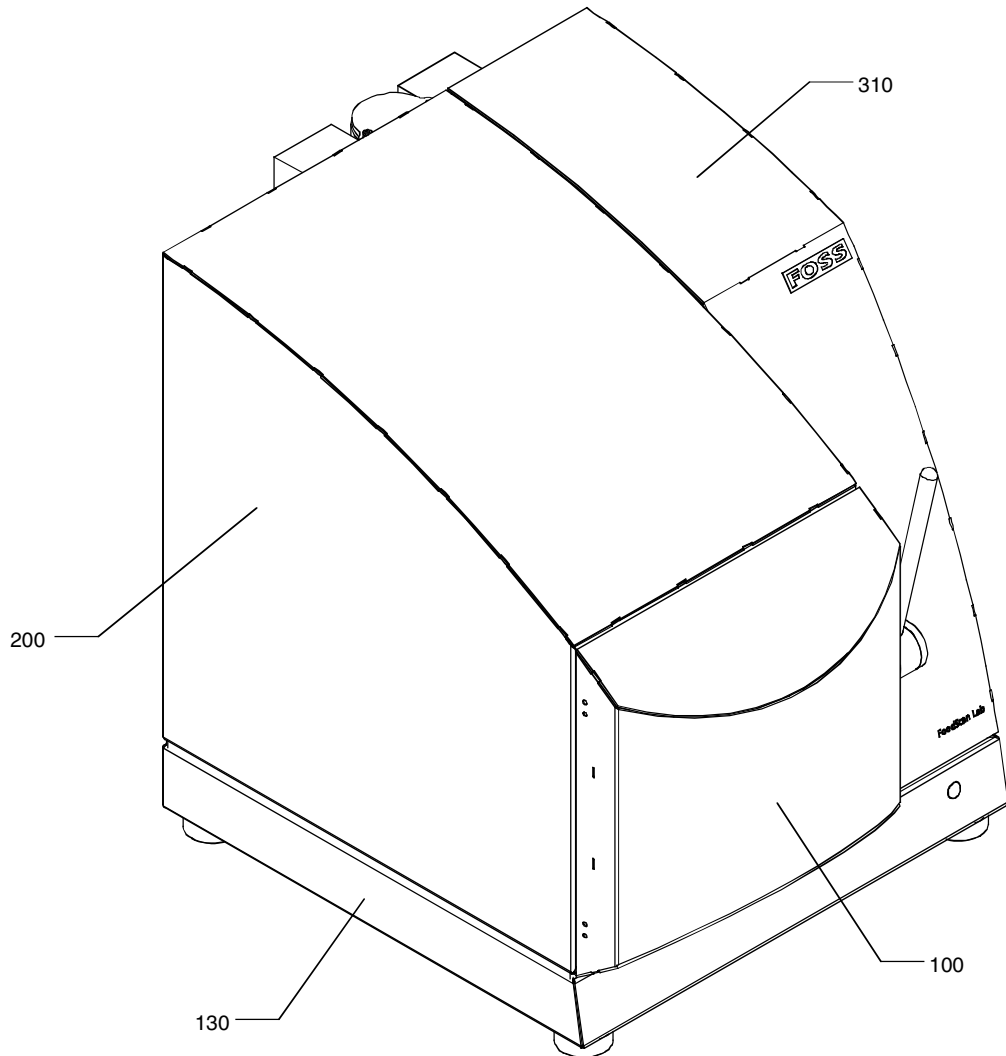
## Table of contents

## Sparepart Manual FoodScan Pro & Lab

<b>Page No.</b>	<b>Unit</b>	<b>Partno.</b>
100-1	Front Door	
110-1	Back Box	
120-1	Bottom Box (Pro)	
200-1	Basic Unit	
200-2	Basic Unit	
200-3	Basic Unit	
300-1	Accessories for FoodScan Pro	



<b>Page No.</b>	<b>Unit</b>	<b>Partno.</b>
100-1	Front Door	
130-1	Bottom Box (Lab)	
200-1	Basic Unit	
200-2	Basic Unit	
200-3	Basic Unit	
310-1	Accessories for FoodScan Lab	



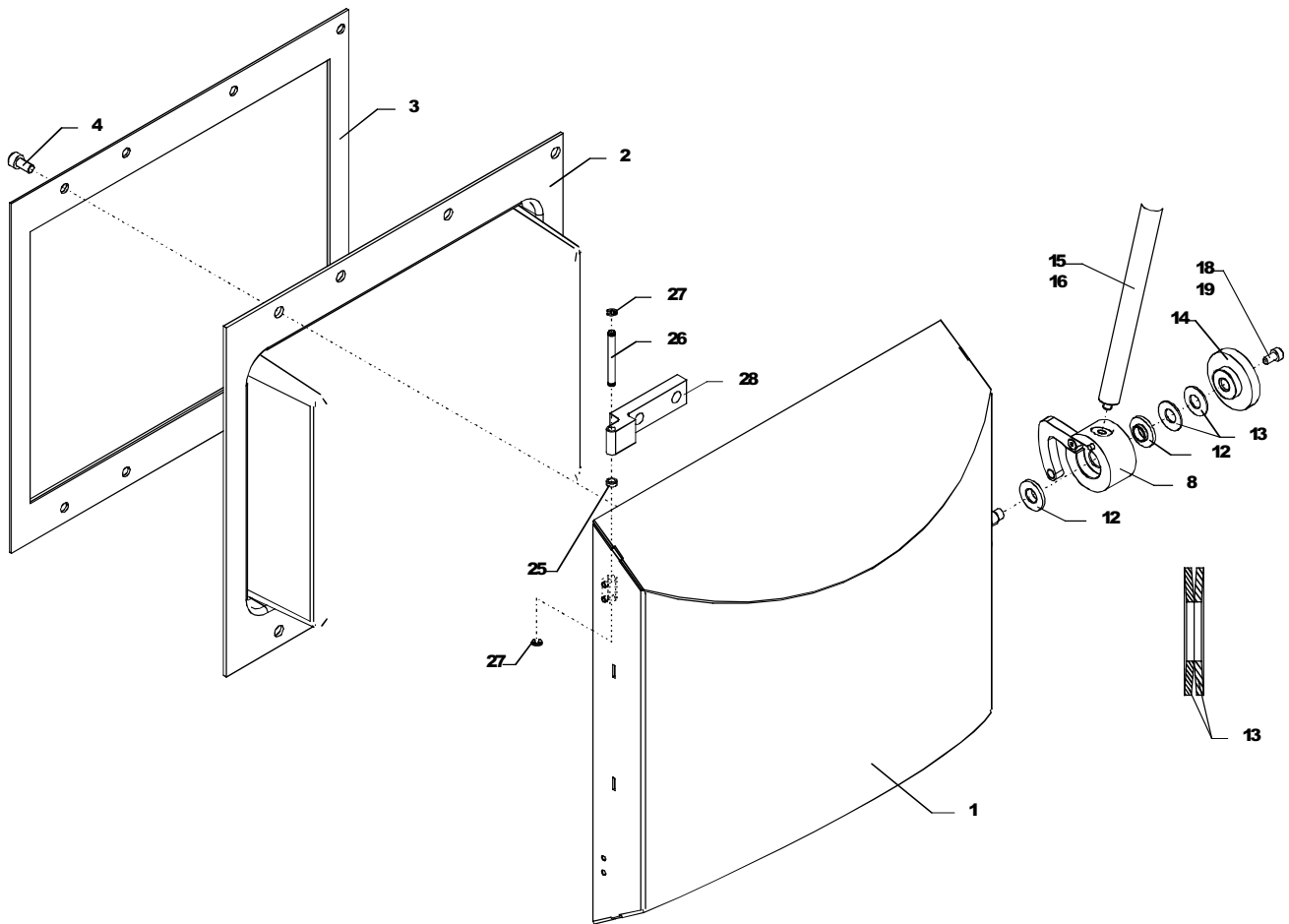
<b>Pos.no.</b>	<b>Partno.</b>	<b>Description</b>
1	01030177	Front door
2	01030144	Door insert
3	01030150	Front door gasket
4	00458885	Allen screw
8	01030402	Hub/hook cpl.
12	01030143	Slide bushing
14	01030140	Cover
15	01030139	Handle
16	00366104	Glue loc. 648
18	00710624	Allen screw
19	00148163	Glue loc. 242
25	60000035	Disc for front lid
26	60000034	Pin for front lid
27	00362848	Retaining ring

# Front Door

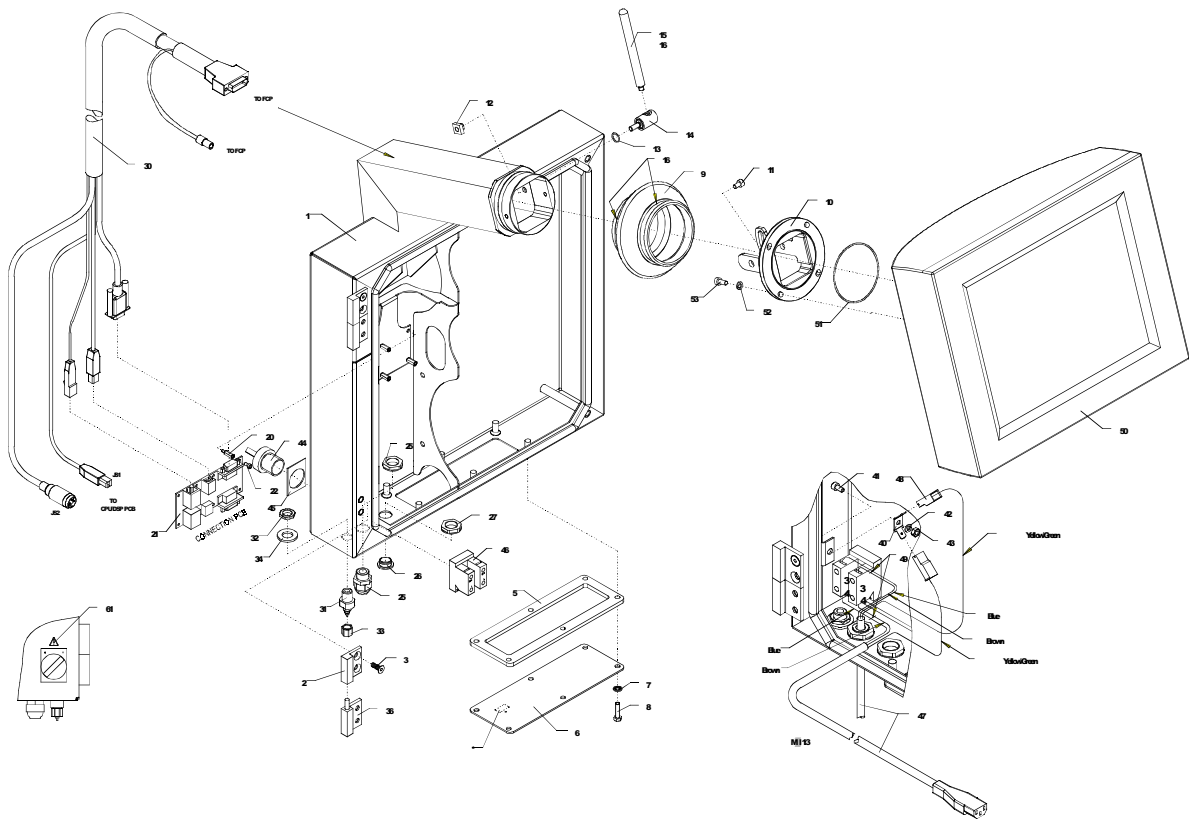
# Spare Parts

FoodScan Pro

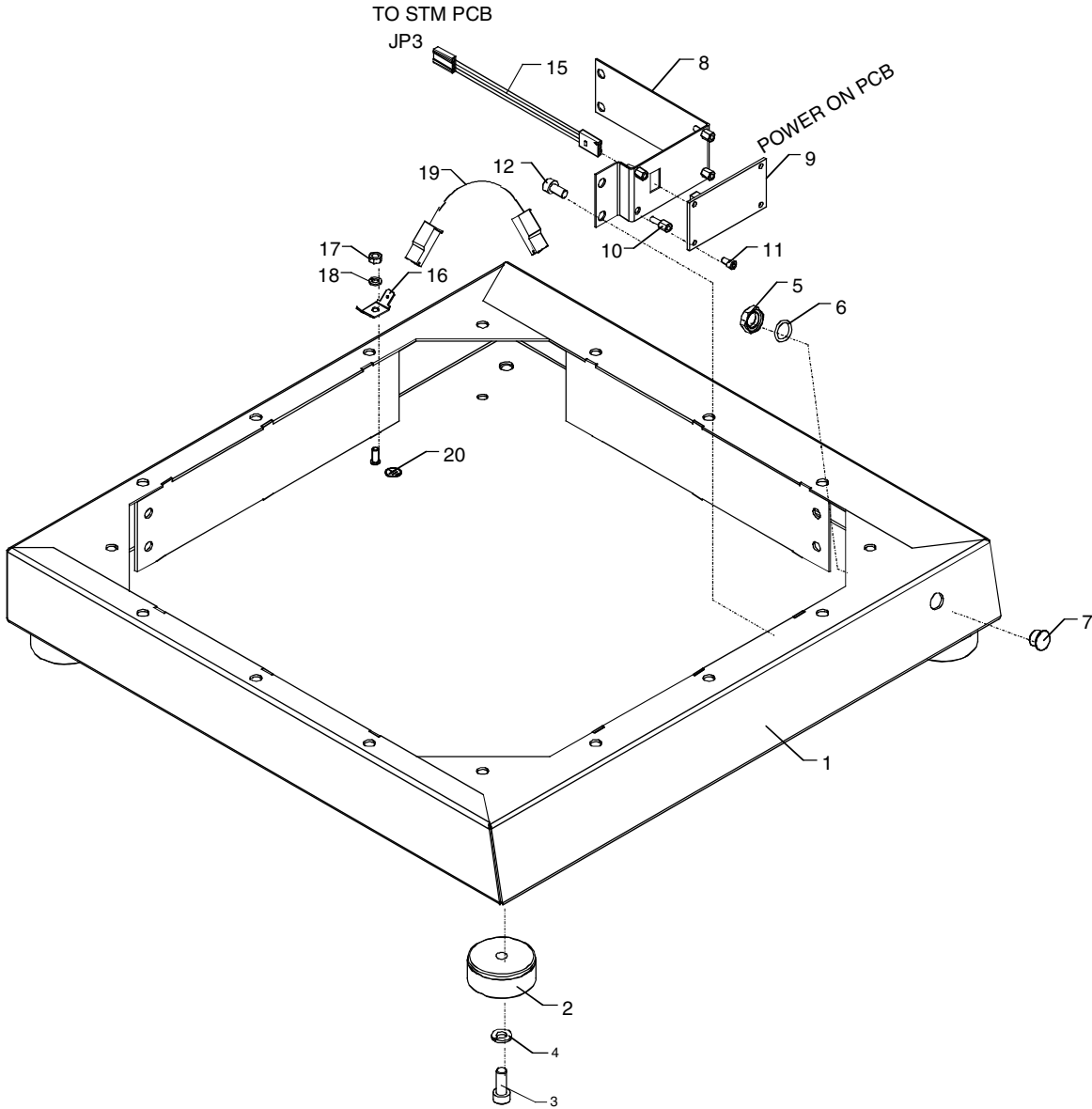
FoodScan Lab



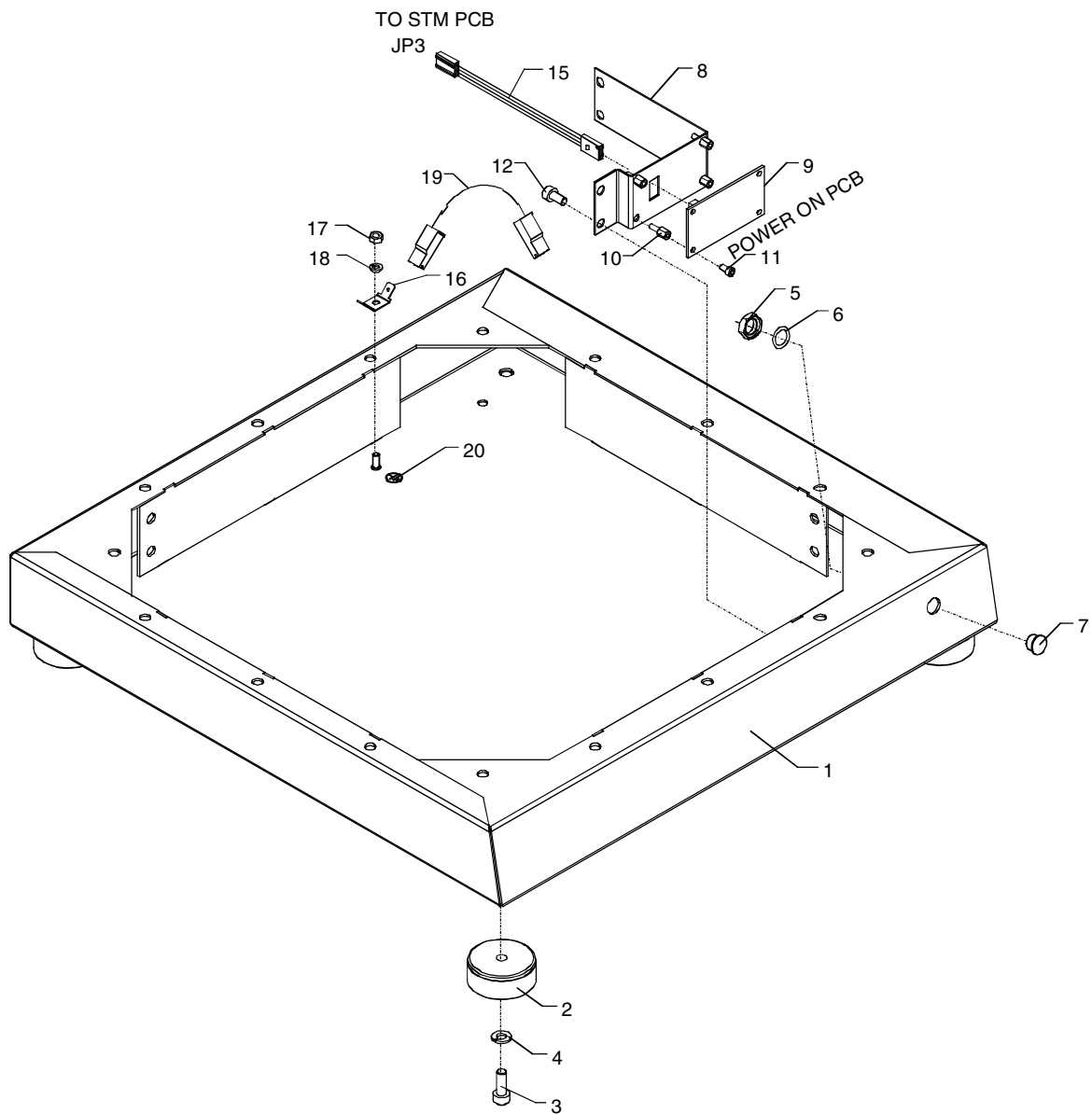
<b>Pos.no.</b>	<b>Partno.</b>	<b>Description</b>
5	01030113	Gasket f. bottom plate
6	01030114	Bottom plate
7	01030408	Sealing washer
8	01030439	Screw M5x020
9	01030132	Bellow
11	00709550	Allen screw
12	01030106	Nut
13	00302851	O-ring
14	01030112	Screw
15	01030107	Handle
16	00103267	Wire strap
17	00366104	Glue loc. 648
21	00582734	Connection PCB
22	00227348	Allen screw
25	01030199	Cable union
30	01030880	Cable for FCP
31	00555219	Union
32	00340208	Passthrough
33	00335380	Union
34	00559815	Washer
44	01030893	Switch
45	01010060	Sign for key switch
46	01010058	Key house
47	01030894	
50	01030890	FOSS Control panel w. CD burner
51	01010726	O-ring
52	00000323	Washer
53	00202614	Screw



<b>Pos.no.</b>	<b>Partno.</b>	<b>Description</b>
2	01030129	Foot
3	00706432	Allen screw
4	00372342	Springwasher
5	60000050	Nut
6	00054262	O-ring
7	60000051	Diode window
9	00582973	Power-on PCB
10	00558569	Spacer
11	00820191	Screw m3x05
12	00231837	Allen screw
15	01030412	Cable
16	00277137	Spade connector
17	00051433	Nut M4
18	00109108	Spring washer
19	01030436	Ground wire
20	00518779	Label



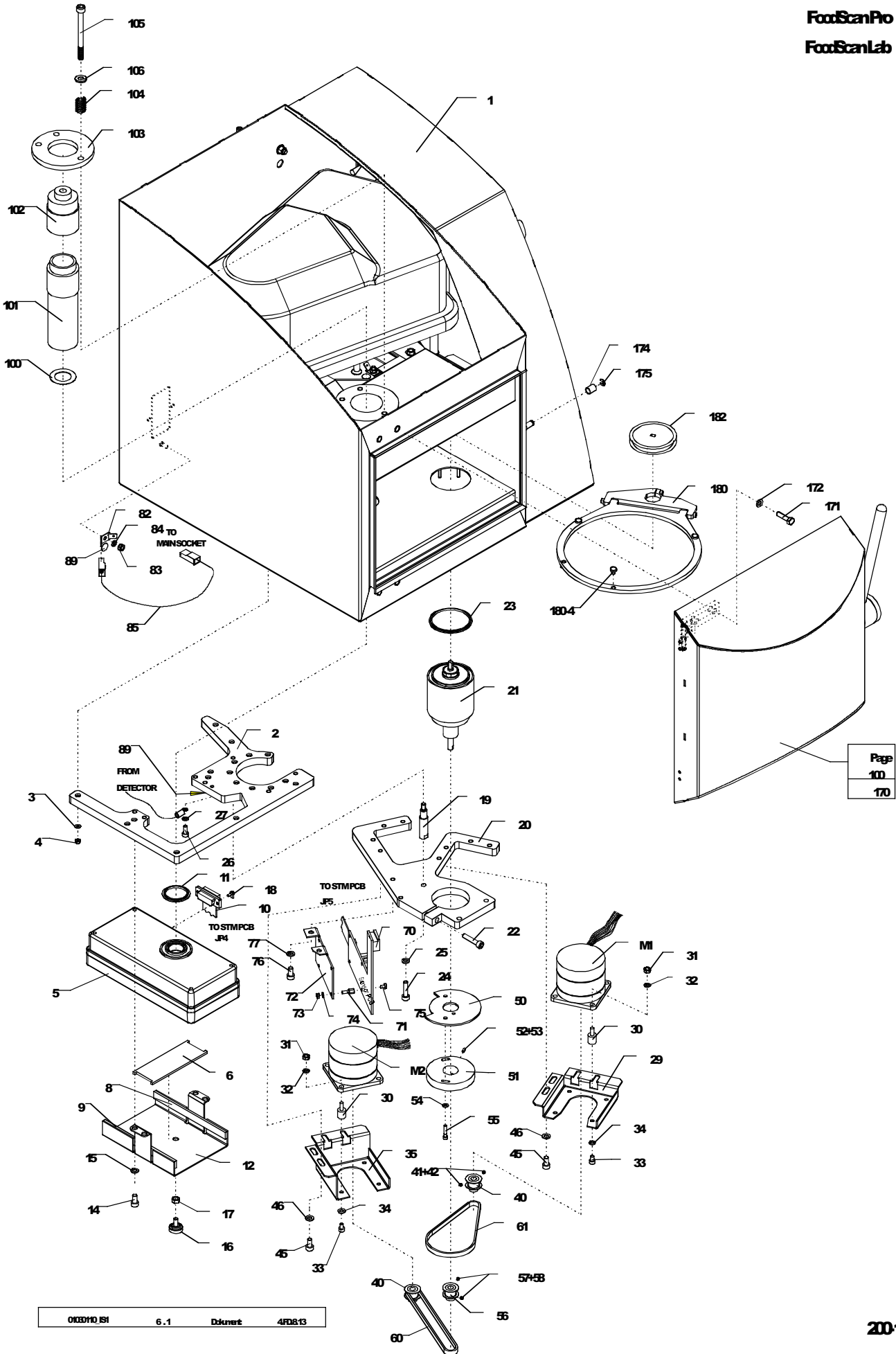
<b>Pos.no.</b>	<b>Partno.</b>	<b>Description</b>
2	01030129	Foot
3	00706432	Allen screw
4	00372342	Springwasher
5	60000050	Nut
6	00054262	O-ring
9	00582973	Power-on PCB
10	00558569	Spacer
11	00820191	Screw m3x05
12	00231837	Allen screw
15	01030412	Cable
16	00277137	Spade connector
17	00051433	Nut M4
18	00109108	Spring washer
19	01030436	Ground wire
20	00518779	Label



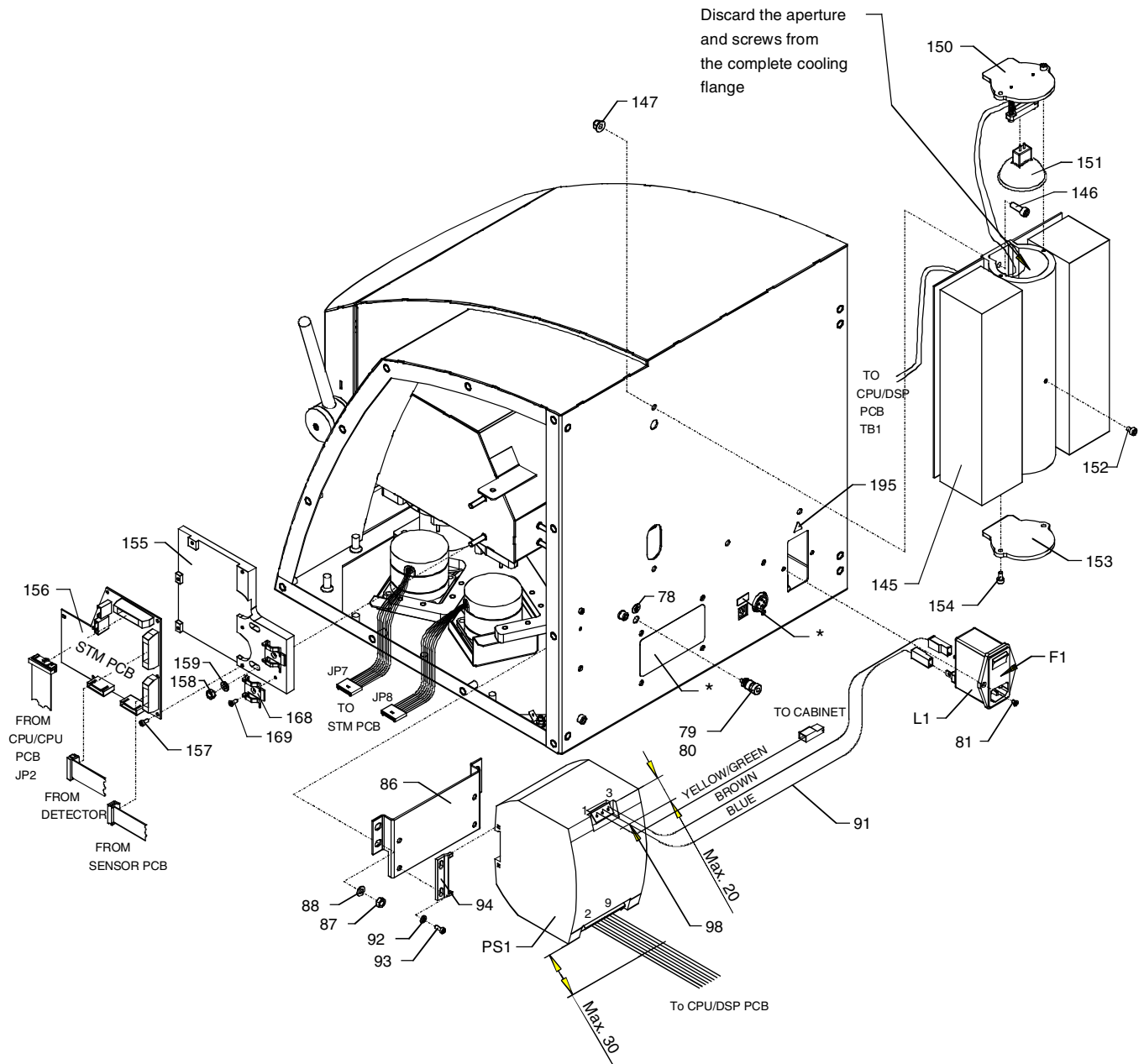
Pos.no.	Partno.	Description	Pos.no.	Partno.	Description
5	10010179	Detector	100	60000038	Gasket
8	00136986	Seal tape	101	10009224	Lens tube
9	00136986	Seal tape	102	10005002	Collimator
10	01030167	Cable detector/STM	103	60000044	Plate
11	60000039	Gasket	104	00445759	Spring
16	00495432	Finger screw	105	00344739	Screw m6x70
17	00008839	Nut M5	129	01030165	Cable
21	01030401	Shaft assembly	171	01030505	Screw M 5x016
22	00172346	Allen screw	172	00008821	Washer
23	01030122	Gasket	174	60000040	Roller for front lid
26	00011569	Allen screw	175	00323972	Retaining ring
27	00109108	Spring washer	180	01030405	Sample arm cpl.
30	00329458	Damper	180-4	60000097	Pin
31	00051433	Nut M4	182	60000042	Gear wheel
32	00109108	Spring washer	M1	01030404	Stepmotor cpl.
33	00256701	Allen screw	M2	01030404	Stepmotor cpl.
34	00109108	Spring washer			
40	01030123	Disc			
41	00140525	Allen screw			
42	00148163	Glue loc. 242			
50	01030125				
51	01030124	Disc			
52	00144592	Allen screw			
53	00148163	Glue loc. 242			
54	00400390				
55	00108480	Allen screw			
56	01030123	Disc			
57	00140525	Allen screw			
58	00148163	Glue loc. 242			
60	01030133	Drive Belt			
61	01030134	Drive Belt			
70	00582783	Sensor PCB			
73	00153403	Nut			
74	00299313	Washer			
75	00820191	Screw m3x05			
76	00231837	Allen screw			
77	00357897	Spring washer			
82	00277137	Spade connector			
83	00051433	Nut M4			
84	00109108	Spring washer			
85	01030436	Ground wire			
90	01030169	Cable PSU-USB/DSP			
91	01030186	Cable PSU/main socket			

**Basic Unit**

**SpaeParts**  
**FoodScanPro**  
**FoodScanLab**

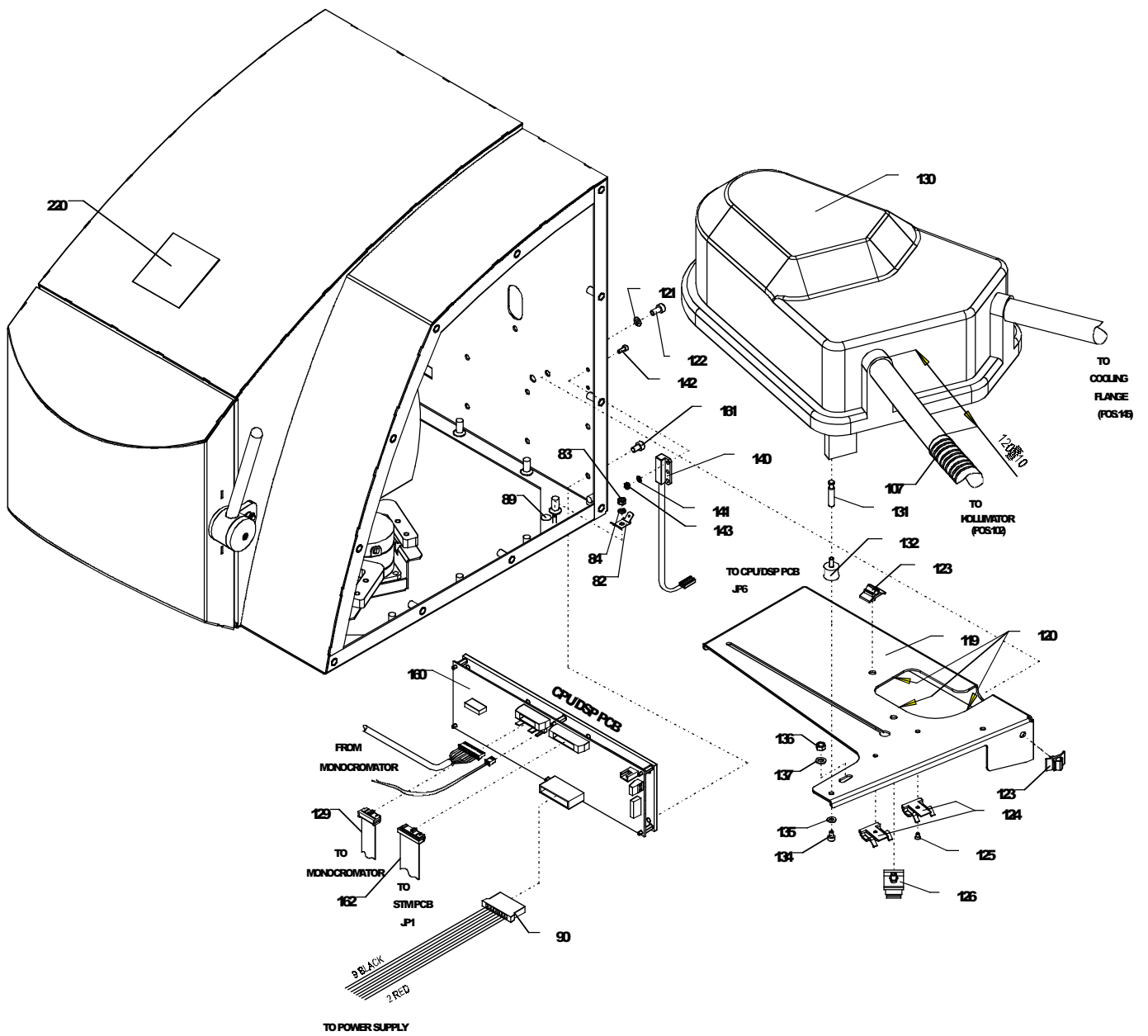


<b>Pos.no.</b>	<b>Partno.</b>	<b>Description</b>
81	00821298	Screw m3x10
92	00109108	Spring washer
93	00710624	Allen screw
94	01030409	Bracket
145	10005001	Cooling Flange complete
146	00705012	Screw
147	00560011	Lock-nut m5
150	10013351	Lamp holder complete
151	10008310	Lamp
152	00256701	Allen screw
153	10006114	Lamp cover
154	00710624	Allen screw
155	60000036	Holder
156	00582676	Sample transport PCB
157	00227348	Allen screw
158	00008839	Nut M5
159	00000323	Washer
162	01030166	Cable CPU/STM
168	00340380	Cable holder
169	00821280	Screw m3x08
F1	01030891	Fuse 2 A
L1	01011159	Main socket
PS01	01011148	Power Supply



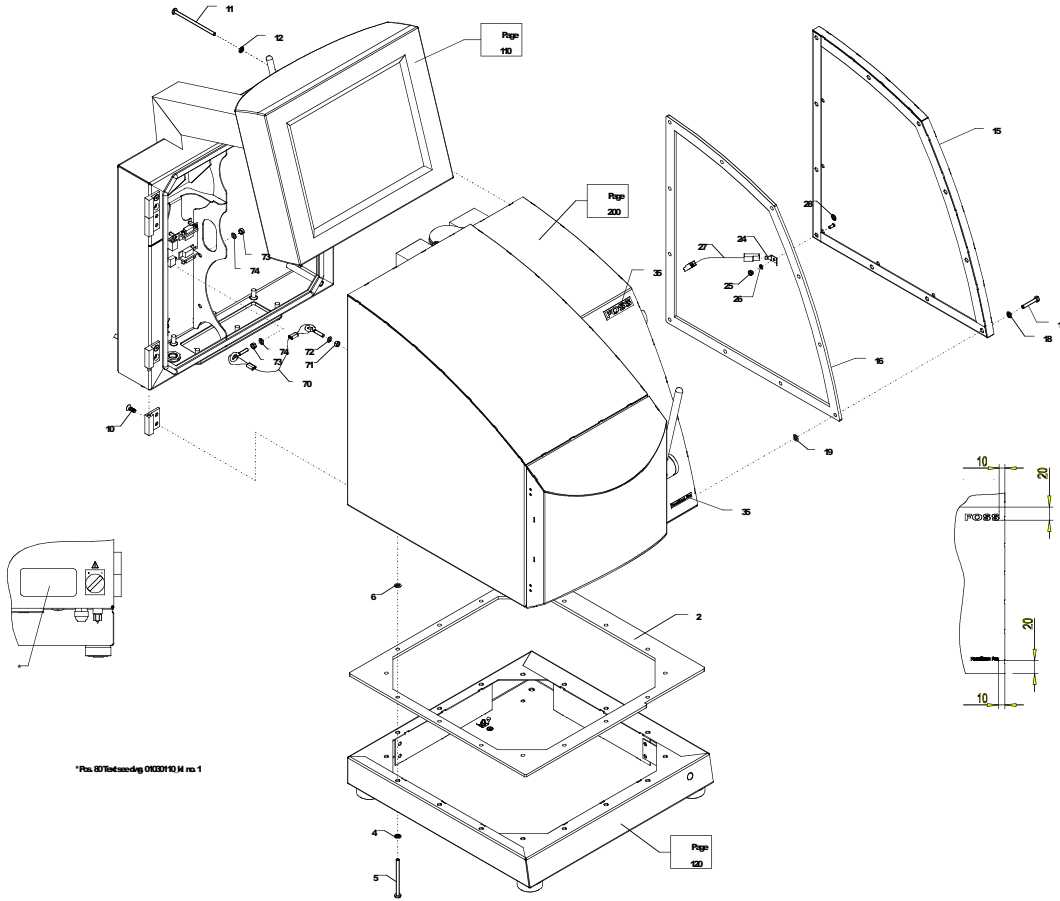
\* Pos. 210 + 211 Text see dwg. 01030110\_kl no. 1-2

<b>Pos.no.</b>	<b>Partno.</b>	<b>Description</b>
120	00293712	Profile
121	00357897	Spring washer
122	00231837	Allen screw
123	00459123	Holder for cable
124	00340380	Cable holder
125	00821264	Screw m3x05
126	00528471	Cable holder
130	10011738	Monochromator complete
131	10009195	Threaded stay
132	15440017	Vibration damper
134	00256701	Allen screw
135	00109397	Washer
136	00008839	Nut M5
137	00008821	Washer
160	00582692	CPU/DSP PCB
161	00709550	Allen screw

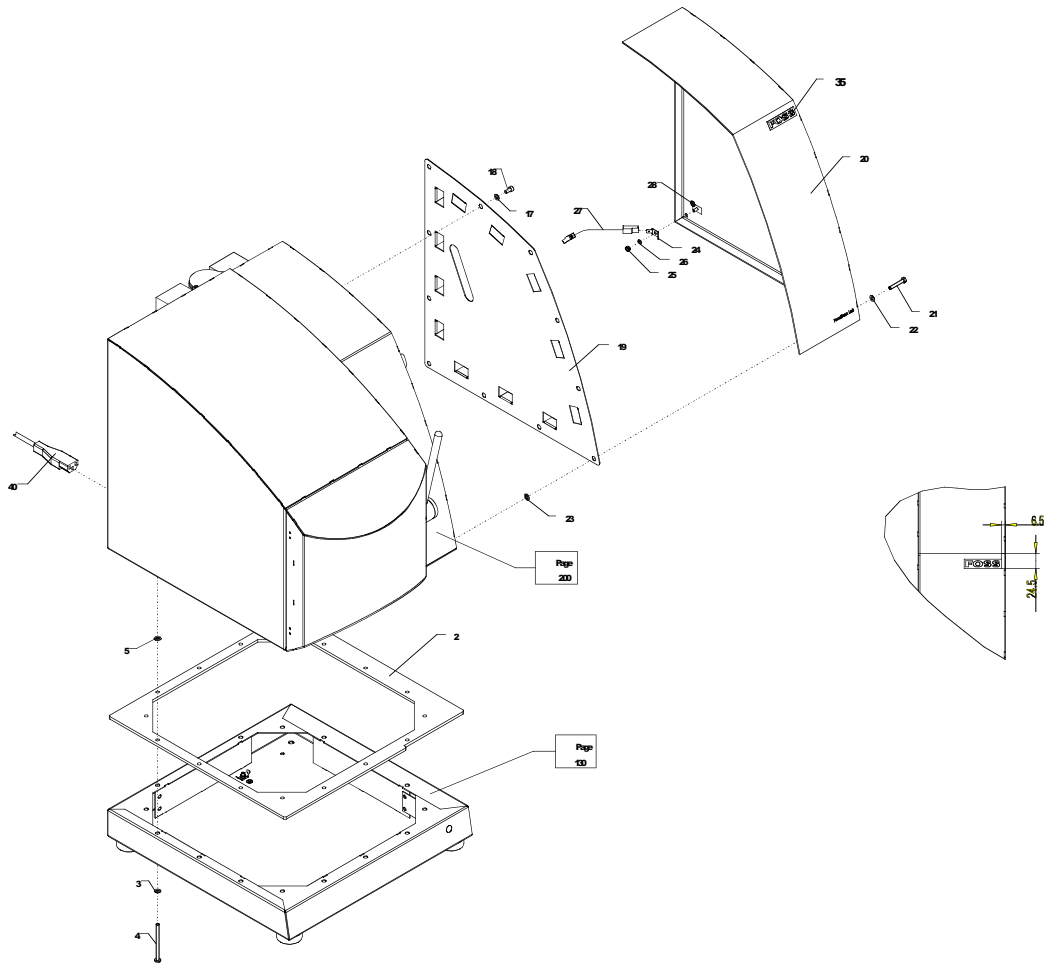


ZDAccessories.rvt

<b>Pos.no.</b>	<b>Partno.</b>	<b>Description</b>
2	60000093	Gasket
4	01030408	Sealing washer
5	01030468	Screw M5x70
11	01030469	Screw M5x90
12	01030408	Sealing washer
16	60000092	Gasket
17	01030438	Screw M5x030
18	01030408	Sealing washer
25	00051433	Nut M4
26	00109108	Spring washer
27	01030436	Ground wire
28	00518779	Label
70	01030481	Wire assy.
71	00008839	Nut M5
72	00357897	Spring washer
73	00008839	Nut M5
74	00000323	Washer



<b>Pos.no.</b>	<b>Partno.</b>	<b>Description</b>
2	60000093	Gasket
3	00000323	Washer
4	01030468	Screw M5x70
5	00528364	Lock Washer
17	00000323	Washer
18	00231837	Allen screw
21	01030438	Screw M5x030
22	00000323	Washer
25	00051433	Nut M4
26	00109108	Spring washer
27	01030436	Ground wire
28	00518779	Label
40	01030466	Mains cable





<b>Partno.</b>	<b>Page</b>	<b>Pos. No.</b>	<b>Description</b>
00000323	110-1	52	Washer
	200-2	159	
	300-1	74	
	310-1	3	
	310-1	17	
	310-1	22	
00008821	200-1	172	Washer
	200-3	137	
00008839	200-1	17	Nut M5
	200-2	158	
	200-3	136	
	300-1	71	
	300-1	73	
00011569	200-1	26	Allen screw
00051433	120-1	17	Nut M4
	130-1	17	
	200-1	31	
	200-1	83	
	300-1	25	
	310-1	25	
00054262	120-1	6	O-ring
	130-1	6	
00103267	110-1	16	Wire strap
00108480	200-1	55	Allen screw
00109108	120-1	18	Spring washer
	130-1	18	
	200-1	27	
	200-1	32	
	200-1	34	
	200-1	84	
	200-2	92	
	300-1	26	
	310-1	26	
00109397	200-3	135	Washer
00136986	200-1	8	Seal tape
	200-1	9	
00140525	200-1	41	Allen screw
	200-1	57	
00144592	200-1	52	Allen screw
00148163	100-1	19	Glue loc. 242
	200-1	42	
	200-1	53	
	200-1	58	

<b>Partno.</b>	<b>Page</b>	<b>Pos. No.</b>	<b>Description</b>
00153403	200-1	73	Nut
00172346	200-1	22	Allen screw
00202614	110-1	53	Screw
00227348	110-1	22	Allen screw
	200-2	157	
00231837	120-1	12	Allen screw
	130-1	12	
	200-1	76	
	200-3	122	
	310-1	18	
00256701	200-1	33	Allen screw
	200-2	152	
	200-3	134	
00277137	120-1	16	Spade connector
	130-1	16	
	200-1	82	
00293712	200-3	120	Profile
00299313	200-1	74	Washer
00302851	110-1	13	O-ring
00323972	200-1	175	Retaining ring
00329458	200-1	30	Damper
00335380	110-1	33	Union
00340208	110-1	32	Passthrough
00340380	200-2	168	Cable holder
	200-3	124	
00344739	200-1	105	Screw m6x70
00357897	200-1	77	Spring washer
	200-3	121	
	300-1	72	
00362848	100-1	27	Retaining ring
00366104	100-1	16	Glue loc. 648
	110-1	17	
00372342	120-1	4	Springwasher
	130-1	4	
00400390	200-1	54	
00445759	200-1	104	Spring
00458885	100-1	4	Allen screw
00459123	200-3	123	Holder for cable
00495432	200-1	16	Finger screw
00518779	120-1	20	Label
	130-1	20	
	300-1	28	
	310-1	28	

<b>Partno.</b>	<b>Page</b>	<b>Pos. No.</b>	<b>Description</b>
00528364	310-1	5	Lock Washer
00528471	200-3	126	Cable holder
00555219	110-1	31	Union
00558569	120-1	10	Spacer
	130-1	10	
00559815	110-1	34	Washer
00560011	200-2	147	Lock-nut m5
00582676	200-2	156	Sample transport PCB
00582692	200-3	160	CPU/DSP PCB
00582734	110-1	21	Connection PCB
00582783	200-1	70	Sensor PCB
00582973	120-1	9	Power-on PCB
	130-1	9	
00705012	200-2	146	Screw
00706432	120-1	3	Allen screw
	130-1	3	
00709550	110-1	11	Allen screw
	200-3	161	
00710624	100-1	18	Allen screw
	200-2	93	
	200-2	154	
00820191	120-1	11	Screw m3x05
	130-1	11	
	200-1	75	
00821264	200-3	125	Screw m3x05
00821280	200-2	169	Screw m3x08
00821298	200-2	81	Screw m3x10
01010058	110-1	46	Key house
01010060	110-1	45	Sign for key switch
01010726	110-1	51	O-ring
01011148	200-2	PS01	Power Supply
01011159	200-2	L1	Main socket
01030106	110-1	12	Nut
01030107	110-1	15	Handle
01030112	110-1	14	Screw
01030113	110-1	5	Gasket f. bottom plate
01030114	110-1	6	Bottom plate
01030122	200-1	23	Gasket
01030123	200-1	40	Disc
	200-1	56	
01030124	200-1	51	Disc
01030125	200-1	50	
01030129	120-1	2	Foot

Partno.	Page	Pos. No.	Description
	130-1	2	
01030132	110-1	9	Bellow
01030133	200-1	60	Drive Belt
01030134	200-1	61	Drive Belt
01030139	100-1	15	Handle
01030140	100-1	14	Cover
01030143	100-1	12	Slide bushing
01030144	100-1	2	Door insert
01030150	100-1	3	Front door gasket
01030165	200-1	129	Cable
01030166	200-2	162	Cable CPU/STM
01030167	200-1	10	Cable detector/STM
01030169	200-1	90	Cable PSU-USB/DSP
01030177	100-1	1	Front door
01030186	200-1	91	Cable PSU/main socket
01030199	110-1	25	Cable union
01030401	200-1	21	Shaft assembly
01030402	100-1	8	Hub/hook cpl.
01030404	200-1	M1	Stepmotor cpl.
	200-1	M2	
01030405	200-1	180	Sample arm cpl.
01030408	110-1	7	Sealing washer
	300-1	4	
	300-1	12	
	300-1	18	
01030409	200-2	94	Bracket
01030412	120-1	15	Cable
	130-1	15	
01030436	120-1	19	Ground wire
	130-1	19	
	200-1	85	
	300-1	27	
	310-1	27	
01030438	300-1	17	Screw M5x030
	310-1	21	
01030439	110-1	8	Screw M5x020
01030466	310-1	40	Mains cable
01030468	300-1	5	Screw M5x70
	310-1	4	
01030469	300-1	11	Screw M5x90
01030481	300-1	70	Wire assy.
01030505	200-1	171	Screw M 5x016
01030880	110-1	30	Cable for FCP

<b>Partno.</b>	<b>Page</b>	<b>Pos. No.</b>	<b>Description</b>
01030890	110-1	50	FOSS Control panel w. CD burner
01030891	200-2	F1	Fuse 2 A
01030893	110-1	44	Switch
01030894	110-1	47	
10005001	200-2	145	Cooling Flange complete
10005002	200-1	102	Collimator
10006114	200-2	153	Lamp cover
10008310	200-2	151	Lamp
10013351	200-2	150	Lamp holder complete
10009195	200-3	131	Threaded stay
10009224	200-1	101	Lens tube
10010179	200-1	5	Detector
10011738	200-3	130	Monochromator complete
15440017	200-3	132	Vibration damper
60000034	100-1	26	Pin for front lid
60000035	100-1	25	Disc for front lid
60000036	200-2	155	Holder
60000038	200-1	100	Gasket
60000039	200-1	11	Gasket
60000040	200-1	174	Roller for front lid
60000042	200-1	182	Gear wheel
60000044	200-1	103	Plate
60000050	120-1	5	Nut
	130-1	5	
60000051	120-1	7	Diode window
60000092	300-1	16	Gasket
60000093	300-1	2	Gasket
	310-1	2	
60000097	200-1	180-4	Pin

