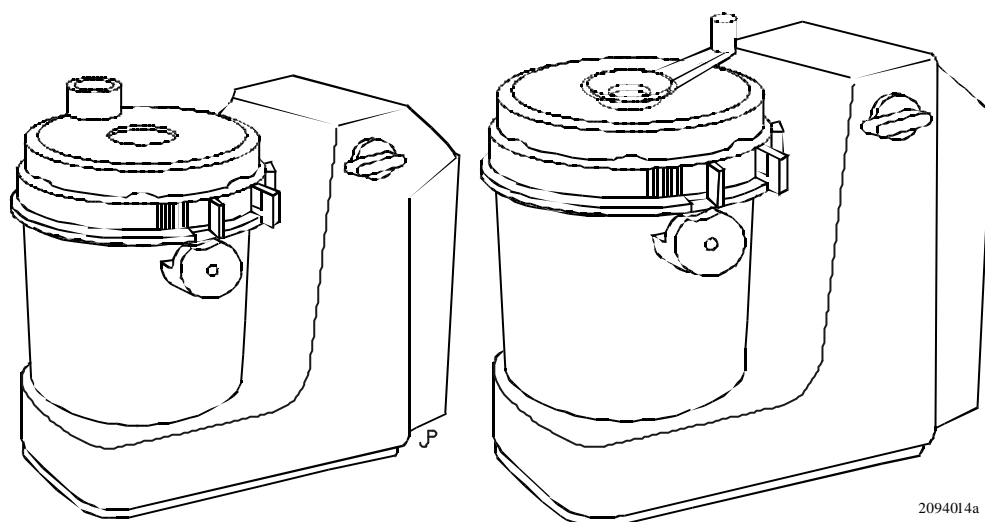

2094/2096 Homogenizer

Parts List

1001 1658 / Rev. 1.0



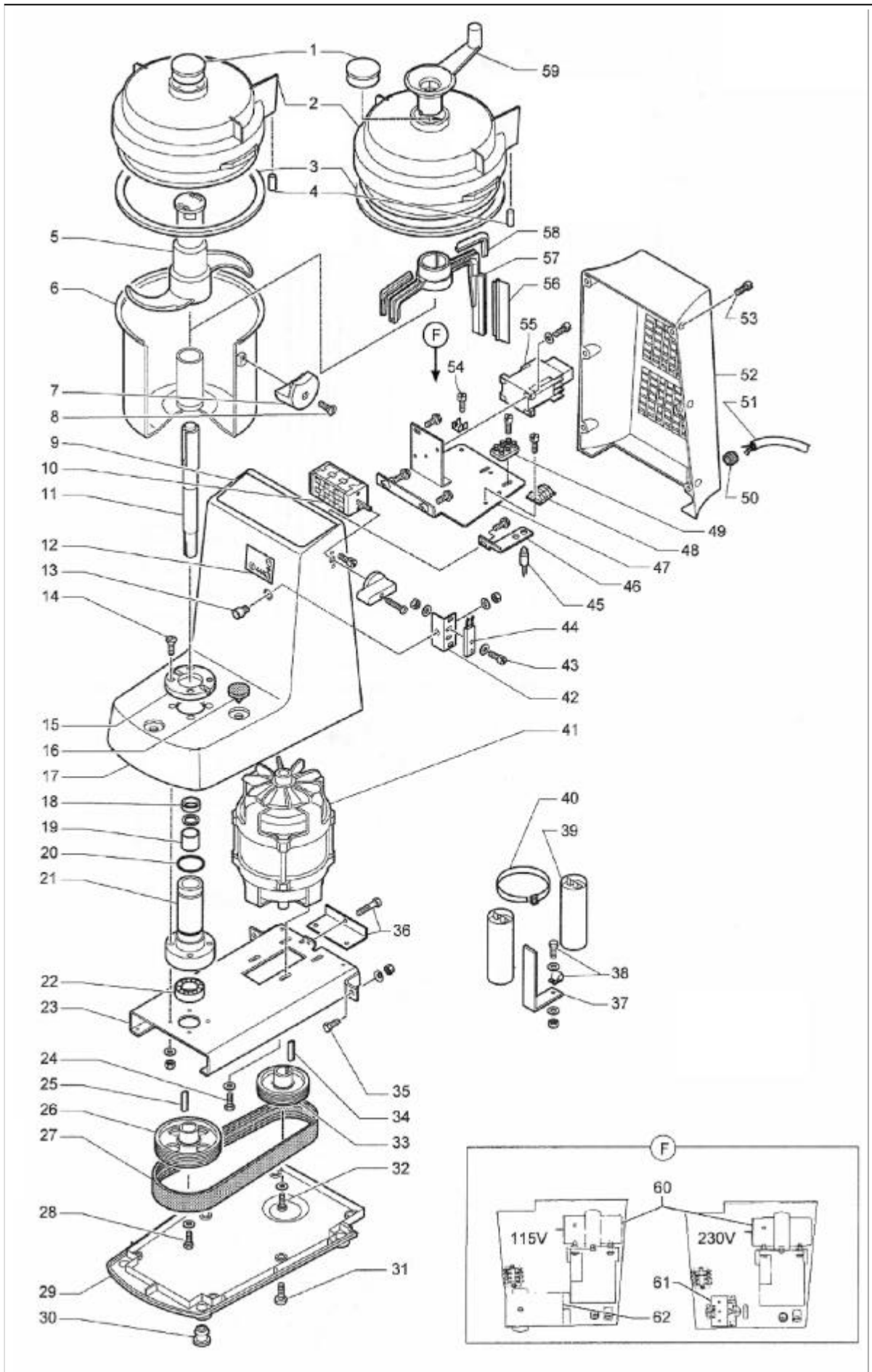
N.B Screws, nuts and washers are shown but not designated in this parts list!

Designation:	2094 Homogenizer, 230V 50Hz and 115V 60Hz, both 1-phase	
General Drawing:	2094005a	
Effective from serial no:		to serial no:

Pos	Part number	Designation	Remarks
28		Switch	
31	1900 0635	Magnet sensor	
43	1900 0618	Driving belt	
46		Motor	
<p>For information on parts for the 2094 Homogenizer, please call the FOSS Service Department.</p>			

Designation:	2096 Homogenizer, 400V 50 Hz 3-phase and 115V 60Hz 1-phase
General Drawing:	2096005a
Effective from serial no:	to serial no:

Pos	Part number	Designation	Remarks
10		Switch, three phase	400V
10		Switch, single phase	115V
27	1900 0618	Driving belt	
36		Tensioning bracket	
41		Motor	
44	1900 0635	Magnetic sensor	
55		Contactor	400V
55		Contactor	115V
For information on parts for the 2096 Homogenizer, please call the FOSS Service Department.			



This page is intentionally not used.