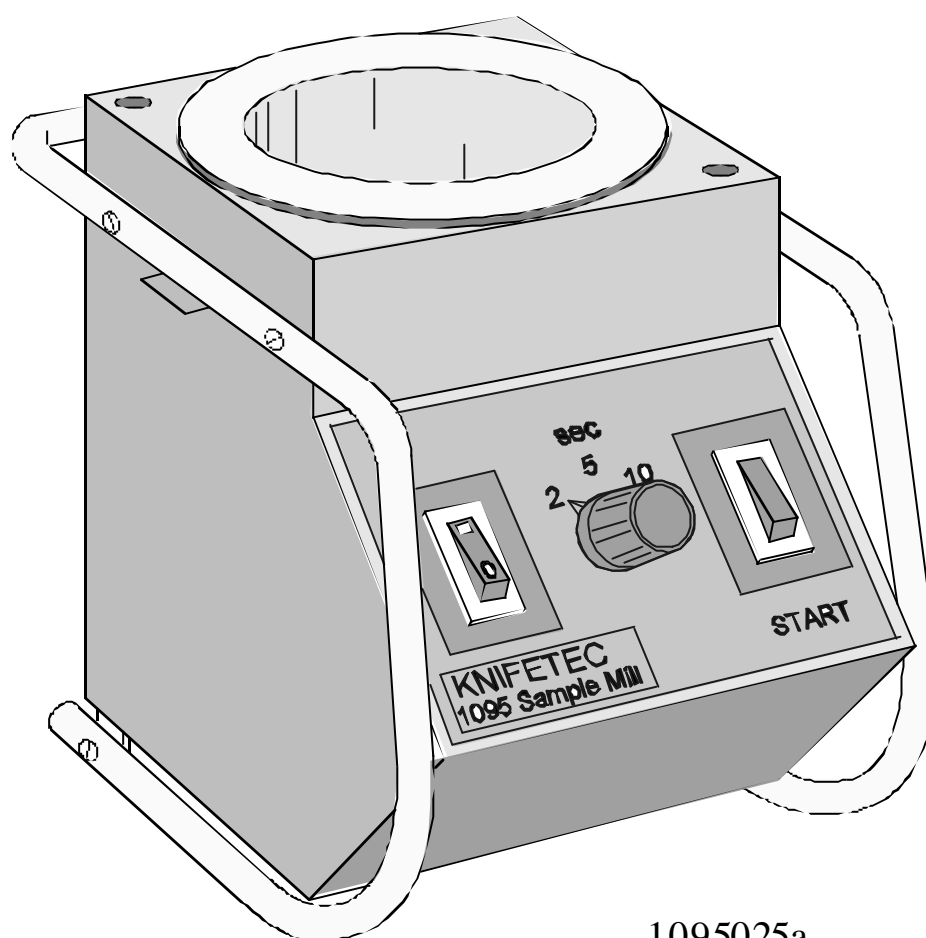


---

# 1095 Knifetec Sample Mill

## Parts List

1000 6245 / Rev. 2.1

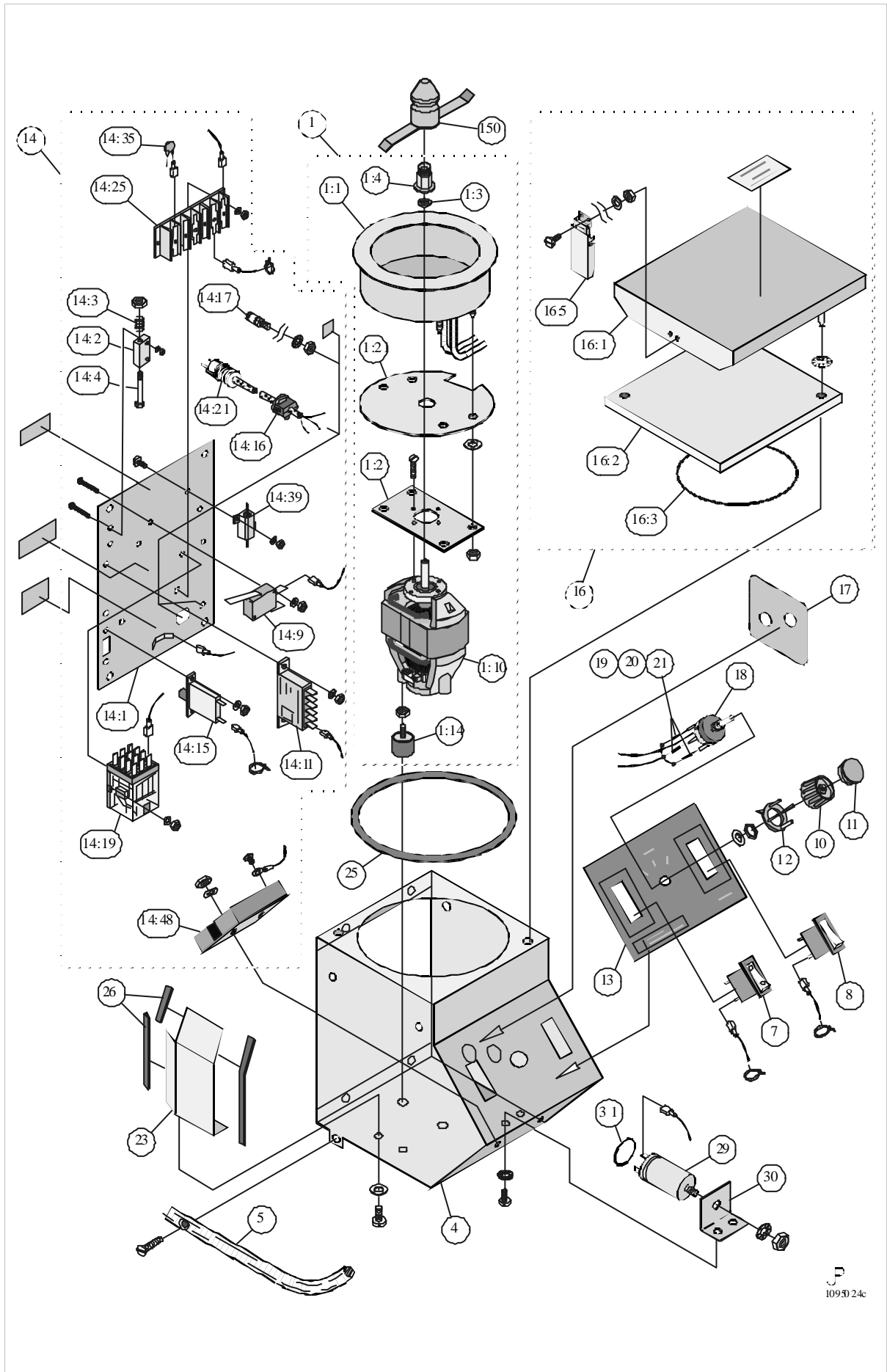


1095025a

N.B Screws, nuts and washers are shown but not designated in this parts list!

Designation:	1000 4991 1095 Knifetec Sample Mill
General Drawing:	1095024c
Effective from serial no:	to serial no:

Pos	Part number	Designation	Remarks
1	1000 5020	Grinding package assembly	
1:3	1542 0075	Gasket	
1:4	1000 5960	Distance for rotor blade	
1:10	1000 5579	Motor	
1:14	1544 0027	Vibration damper	
7	1563 0143	Mains switch	
8	1563 0144	Start switch	
10	1547 0032	Knob	
11	1547 0033	Knob cap	
12	1547 0034	Pointer	
13	1000 5028	Panel foil	
14	1000 5017	Rear panel assembly	
14:2	1000 5019	Guide	
14:3	1541 0020	Spring	
14:4	1000 4995	Pin	
14:9	1563 0029	Micro switch	
14:11	1562 0032	Time relay	
14:15	1564 0131	Circuit breaker, 4.5 A	Replacing 1564 0017
14:17	1561 0121	Earth screw	
14:19	1562 0033	Relay	220 V/50 Hz
14:21	1565 0189	Mains cable	
14:25	1569 0113	Plinth	
14:35	1567 0029	Varistor	
14:39	1567 0065	Transformer	
14:48	1562 0037	Solid state relay	280 V, 25 A
16	1000 5029	Lid assembly	
16:3	1549 0052	Gasket, 375mm	∅ 6mm
18	1563 0145	Time switch	
19	1567 0058	Resistor	
20	1567 0059	Resistor	
21	1567 0060	Resistor	
25	1000 5025	Seal	
29	1568 0023	Mains filtering, 0.47 µF	
31	1542 0078	O-ring	
150	1000 5980	Rotor blade	



1095D 24c

This page is intentionally not used.