
Infratec™ 1241 Grain Analyzer ISW 5.x

VALID FROM S/N 12414500

Spare Parts Manual

6002 4902 / Rev. 2



Information may be changed or updated without notice. The latest version is found at www.foss.dk.

Rev.	Date of Issue	Revised Material
1	2007-08-20	First issue
2	2008-12-10	Spare parts updated

NOTE: Please note that all information is liable to change without prior notice.

Please inform Market Communication Dpt - Technical Communication Team at the address given below, if you have any opinions about or proposals for changes to this manual.

Market Communication Dpt - Technical Communication Team

e-mail tig@foss.dk

FOSS Analytical AB, Box 70, SE-263 21 Höganäs, Sweden

Tel Int +46 42 361500, Fax +46 42 340349

Table of Contents

1	General	1
2	Infratec™ 1241 Grain Analyzer	2
2.1	Spare Parts	2
2.2	Parts Illustration	3
3	Infratec™ 1241 Grain Analyzer	4
3.1	Spare Parts	4
3.2	Parts Illustration	5
4	Measuring Unit (Generation II)	6
4.1	Spare Parts	6
4.2	Parts Illustration	7
5	Measuring Unit (Generation II)	8
5.1	Spare Parts	8
5.2	Parts Illustration	9
6	Infratec™ 1241 Test Weight Module	10
6.1	Spare Parts	10
6.2	Parts Illustration	11
7	Infratec™ 1241 Sample Transport Module	12
7.1	Spare Parts	12
8	Special Tools	13

1 General

This document contains Spare Parts for Infratec™ 1241 Grain Analyzer.

Note

Please read Safety Precautions in the Service Manual prior to maintenance or exchange of spare parts.

Note

Screws, nuts and washers are shown but not designated in this manual.

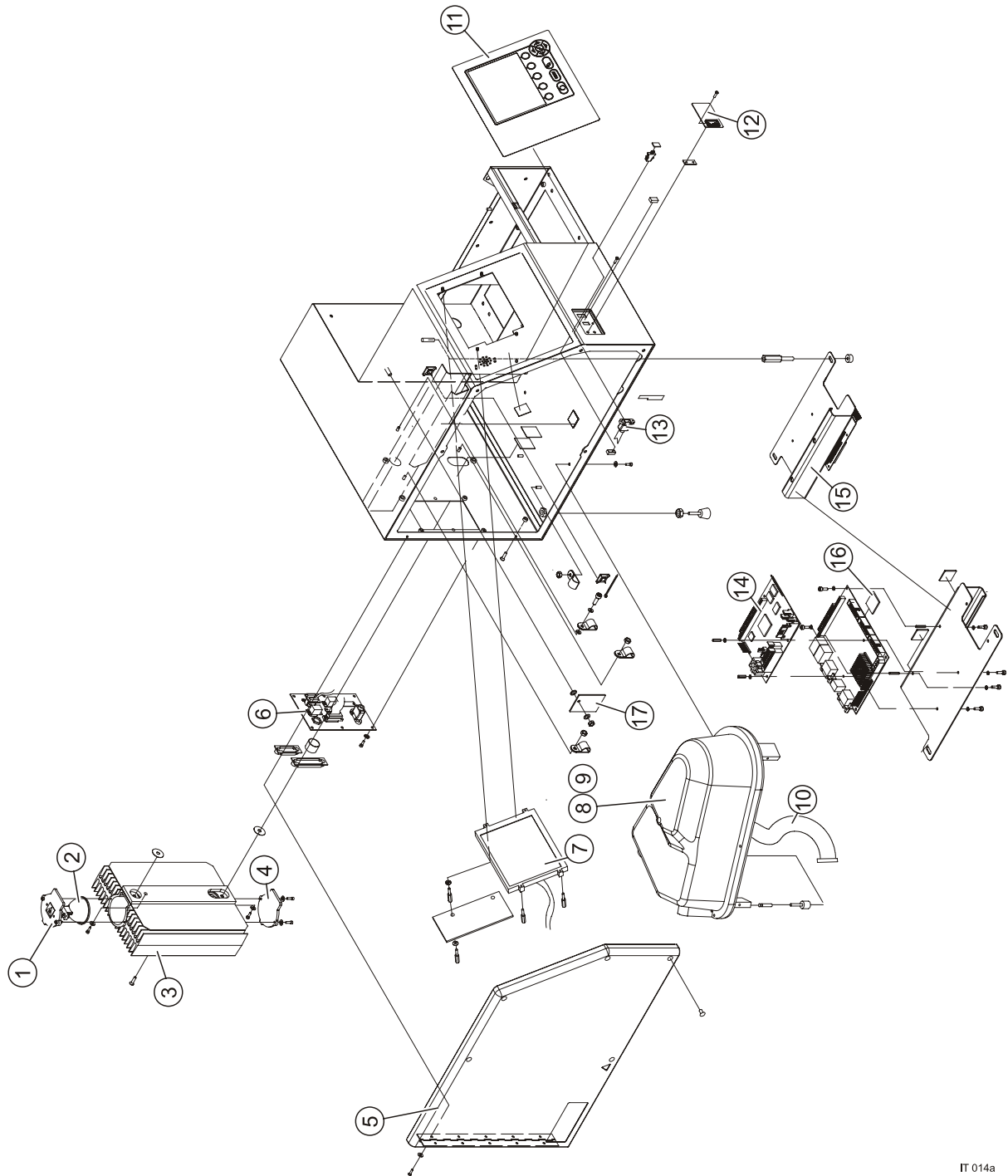
2 Infratec™ 1241 Grain Analyzer

Valid from Serial No	12414500
-----------------------------	----------

2.1 Spare Parts

Pos.	Part No.	Description	Note
1	1001 3351	Lamp Holder	
2	1000 8310	Halogen Lamp for Monochromator	
3	1000 5001	Cooling Flange Assembly	
4	1000 6114	Lamp Cover	
5	1000 8756	Left Door Complete	
6	6002 3743	Interface Complete	
7	6002 3744	Display Kit	
8	1000 8601	Monochromator Complete	
9	1810 8601	Monochromator Complete Exchange	
10	1000 9199	Ribbon Cable to Monochromator	
11	1001 4765	Keyboard Overlay	
12	6002 3745	USB Cover Kit	
13	1001 4918	USB Cable (Interface front side)	
14	6002 3758	DSP Board	
15	6002 3746	PC Module Complete w/o Flash Disc	
16	6002 4423	Compact Flash Disc ISW 5.x Basic 1	
17	1001 0173	E-ID Kit	
18	6002 4424	ISW version Restore Key	Not illustrated Serial No of instrument and E- mail Address required for ordering

2.2 Parts Illustration



IT 014a

Fig. 1

3 Infratec™ 1241 Grain Analyzer

Valid from Serial No	12414500
-----------------------------	----------

3.1 Spare Parts

Pos.	Part No.	Description	Note
1	1000 8747	Right Door Complete	
2	1000 8403	Brush	
3	1001 2891	Power Supply Gen. II Complete	
4	1001 2810	Power Supply Board Gen. II	
5	1001 1952	Measuring Unit Complete Gen. II	See page 6-9
6	1000 5913	Pneumatic Spring Complete	
7	1001 5079	Hopper Section Complete	
8	1000 9369	Temperature Sensor Complete for Hood	
9	1000 9369	Magnetic Drawer Sensor, extended	
10	1001 1963	Detector Cable	
11	1000 9777	Detector Unit Complete	
12	1001 4913	Drawer Complete	
13	6002 2647	Keyboard	
14	6002 2648	USB Memory	
15	1000 5807	Fuse Kit, T2,5A and T5A (5 pcs of each)	Not illustrated
16	1001 4914	Cable from PC to LCD	Not illustrated

3.2 Parts Illustration

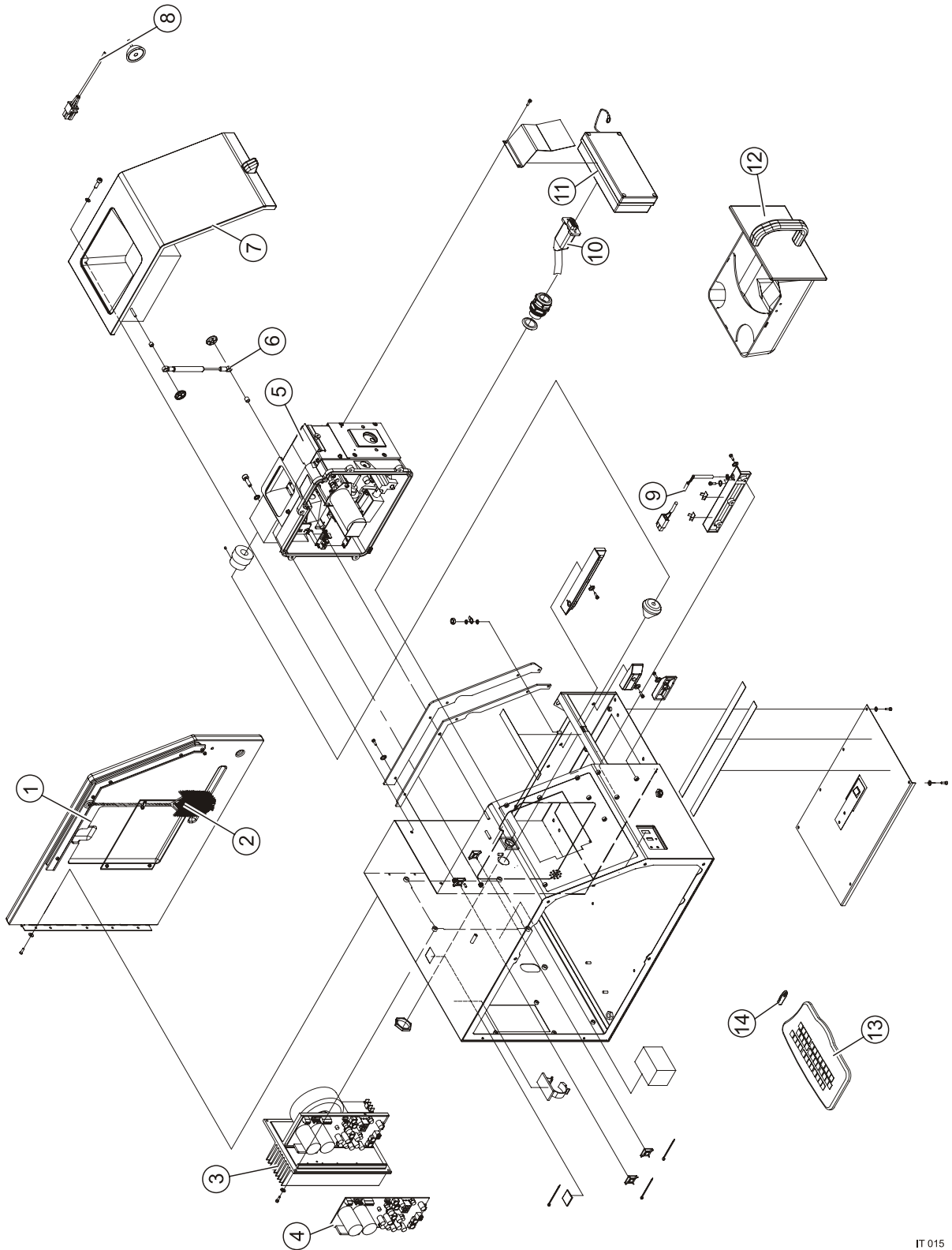


Fig. 2

IT 015

4 Measuring Unit (Generation II)

Valid from Serial No	12411694
-----------------------------	----------

4.1 Spare Parts

Pos.	Part No.	Description	Note
1	1001 1703	Upper Solenoid	
2	1001 1704	Bearing	
3	1001 3205	Upper Linkage Shutter Assembly	
4	1001 1830	Connection PCB Complete	
5	1001 1829	Measuring Unit PCB	
6	1001 1702	Variable Motor	
7	1001 1701	Conveyor Motor	
8	1001 1735	Lower Solenoid	
9	1001 3206	Lower Linkage Shutter Assembly	
10	1001 1334	Upper Shutter	
11	1001 1335	Lower Shutter	

4.2 Parts Illustration

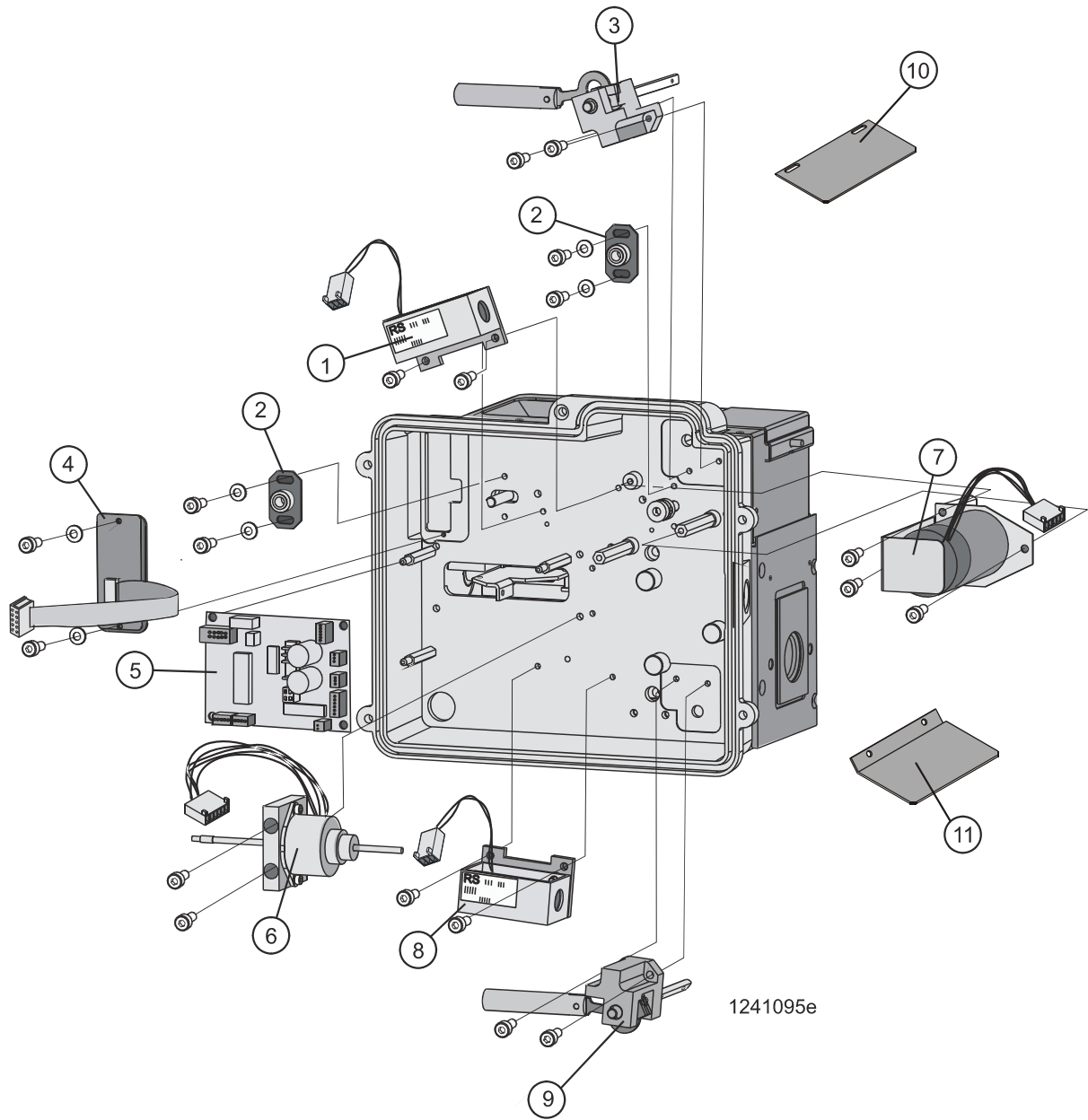


Fig. 3

5 Measuring Unit (Generation II)

Valid from Serial No	12411694
-----------------------------	----------

5.1 Spare Parts

Pos.	Part No.	Description	Note
1	1001 1699	Cell Wall Front with Speckle Emitter PCB	
2	1001 1670	Cell Block Complete	
3	1001 1669	Path Length Encoder	
4	1001 1736	Cell Cover Outer	

5.2 Parts Illustration

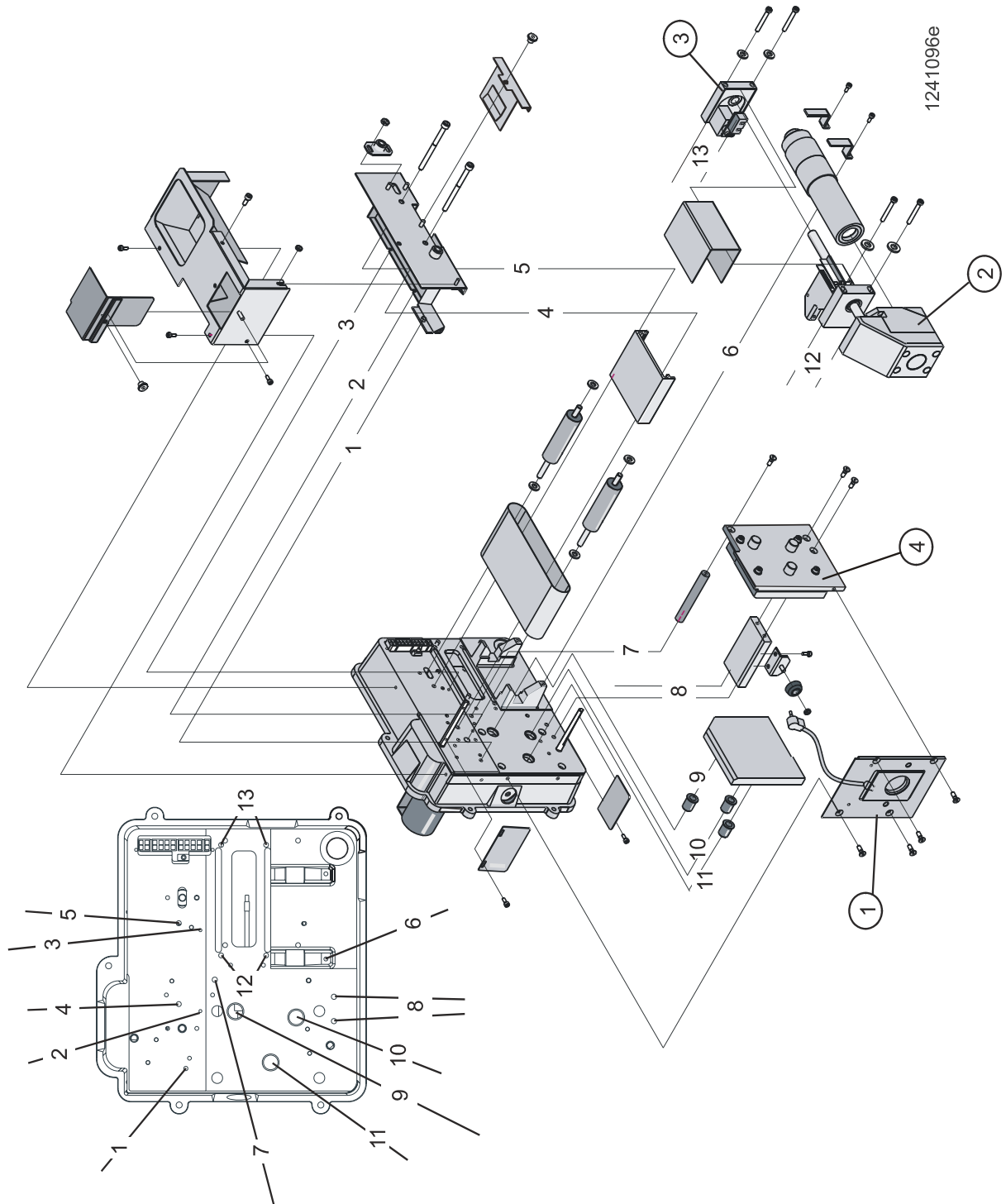


Fig. 4

6 Infratec™ 1241 Test Weight Module

Valid from Serial No	
-----------------------------	--

6.1 Spare Parts

Pos.	Part No.	Description	Note
1	1001 0900	Test Weight Balance Complete	
2	6002 4272	Wiper Arm Complete	Incl. Spring
3	1001 0687	Pressure Plate	
4	1001 0004	Teflon Washer	5 pcs.
5	1001 0007	Transport Security Device Complete	
6	1001 1744	Shutter Replacement Kit	See below for contents
7	1001 2790	TWM PCB	
8	1001 4446	Wiper/Shutter Motor	

Shutter Replacement Kit (part no. 1001 1744)		
Pos.	Description	Note
4	Teflon Washer	2 pcs.
11	Shutter Shaft	
12	Bottom Shutter	
13	Conical Spring	
14	Stop Screw	
15	Nylon Washer	
16	Service Instruction	Not illustrated

6.2 Parts Illustration

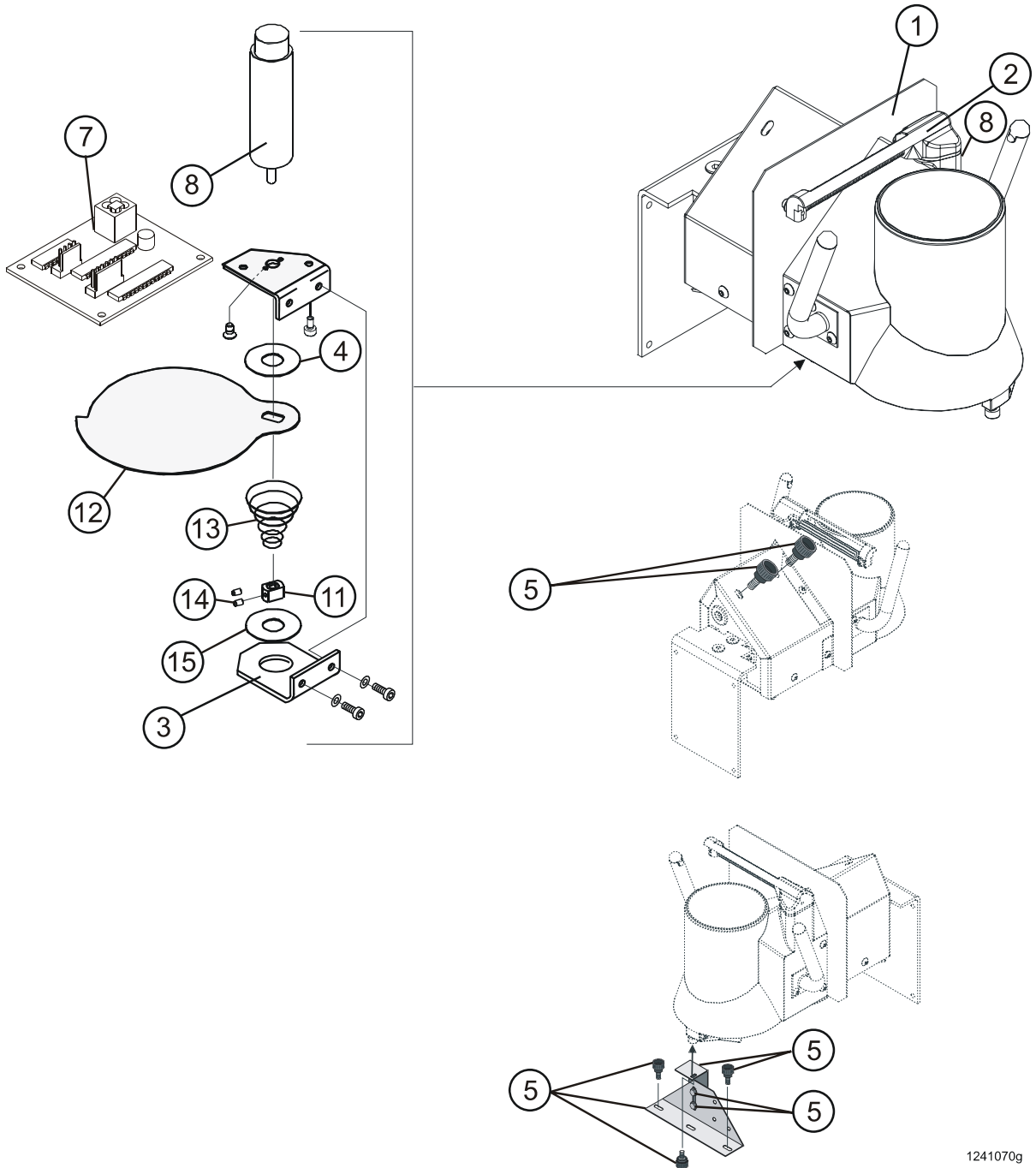


Fig. 5

1241070g

7 Infratec™ 1241 Sample Transport Module

Valid from Serial No	
----------------------	--

7.1 Spare Parts

Cuvette Glass Kit (part no. 1001 1965) *)		
Pos.	Description	Note
1	Cuvette Glass	5 pcs.
2	Adhesive Tape	5 pcs.
3	Service Instruction	

*) Not illustrated.

8 Special Tools

Part No.	Description	Note
15910019	Allen Key 2x225 mm	For Monochromator feet
10010743	Path Length Adjustment Kit	
10011779	Test Weight Control Kit	
60023294	Level Sensor Centring Tool TWM	

