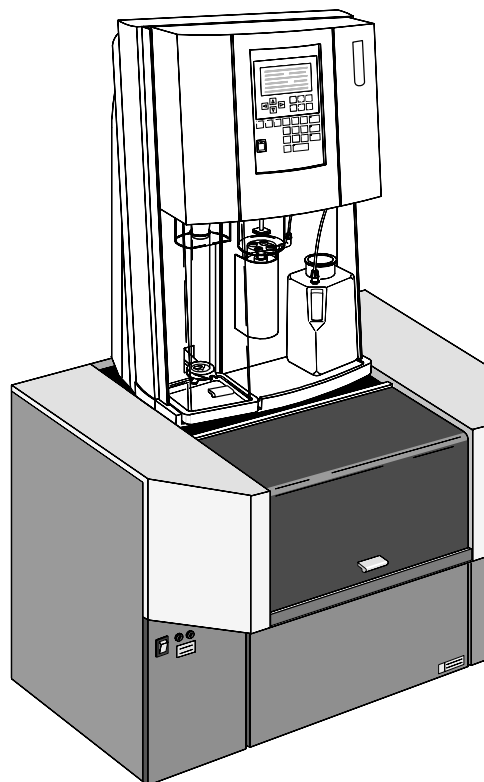


---

# 2460 Kjeltec™ Auto Sampler system Parts List

1000 9646 / Rev. 1.2

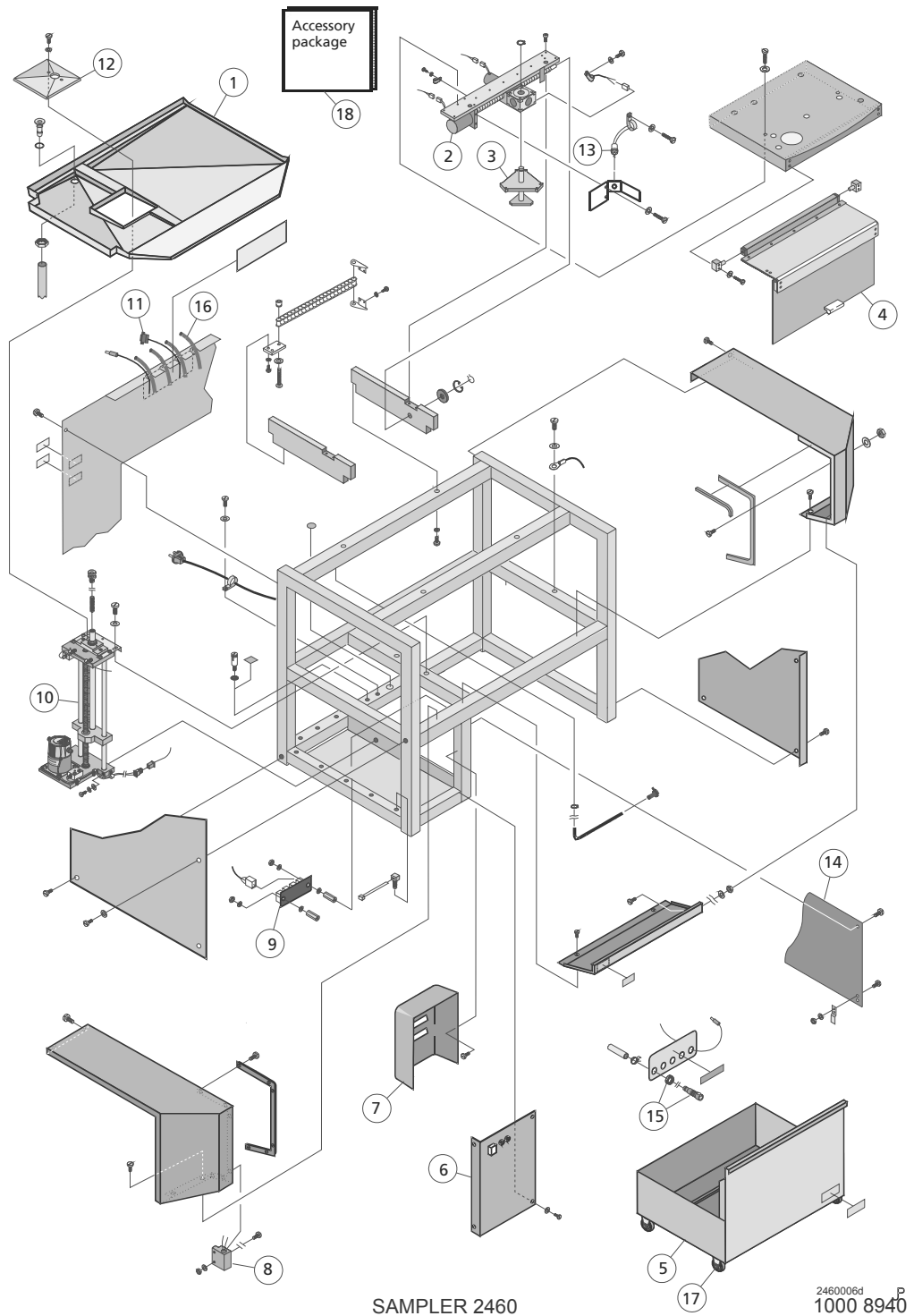


JP  
KTEC057b

**Note: Screws, nuts and washers are shown but not designated in this part list!**

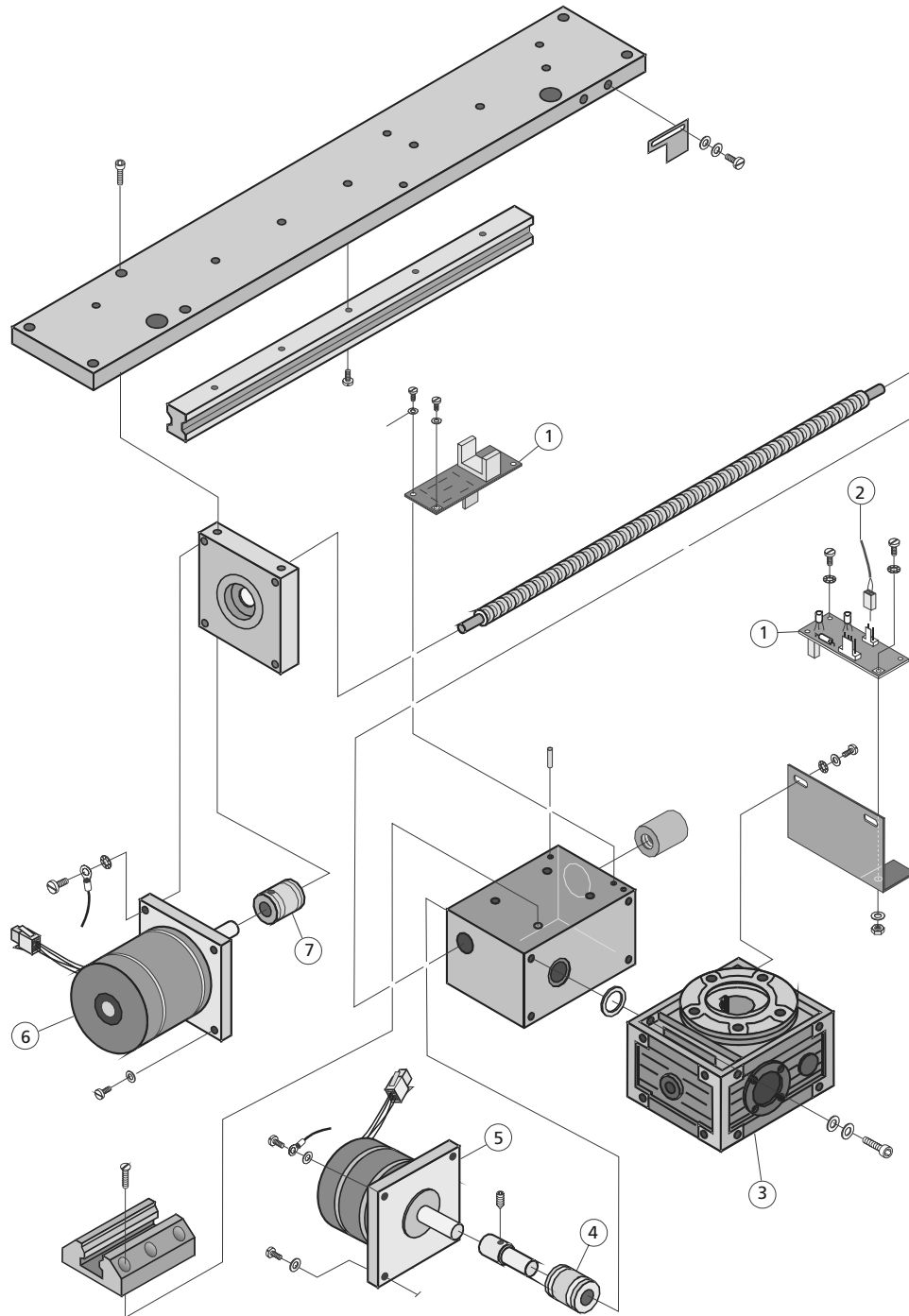
Designation: 2460 Sampler Unit, 230 V
Drawing: 2460006d
Effective from serial no: _____ to serial no: _____

Pos	Part number	Designation	Remarks
1	1000 8652	Drip tray	
2	1000 8939	Position module cpl.	see page 4
3	1000 4387	Sample rack support cpl.	
4	1000 8938	Sampler door cpl.	
5	1000 8932	Reagent cabinet cpl.	
6	N.A.	Electronics module cpl.	see page 6
7	1000 4296	Splash shield	
8	1000 4380	Sampler door sensor	
9	1000 7100	Connection board	for push rod sensors
10	1000 8923	Push rod assembly cpl.	see page 8
11	1000 9250	Communication cable	2460 to 2400
12	1000 8654	Push rod drip tray	
13	1000 5687	Tube down sensor 2460	S/N < 371360203
13	1563 0211	Tube down sensor 2460, ultra-sonic	S/N ≥ 371360203
14	1001 1730	Protection plate	
15	1581 0077	Connection female	
16	1582 0011	PVC tubing, reinforced	
17	1001 1778	Wheels for reagent cabinet	
18	N.A.	Accessory package	see page 10



Designation: Position module cpl.
Drawing: 2460003c
Effective from serial no: _____ to serial no: _____

<b>Pos</b>	<b>Part number</b>	<b>Designation</b>	<b>Remarks</b>
1	1000 7100	Home position sensor pc board cpl.	1pc/package
2	1000 4376	Cable	for X/Y reading
3	1000 7197	Worm reduction gear	
4	1545 0071	Coupling	
5	1000 4472	Stepping motor cpl. Y-motion	
6	1000 4072	Stepping motor cpl. X-motion	
7	1545 0041	Coupling	

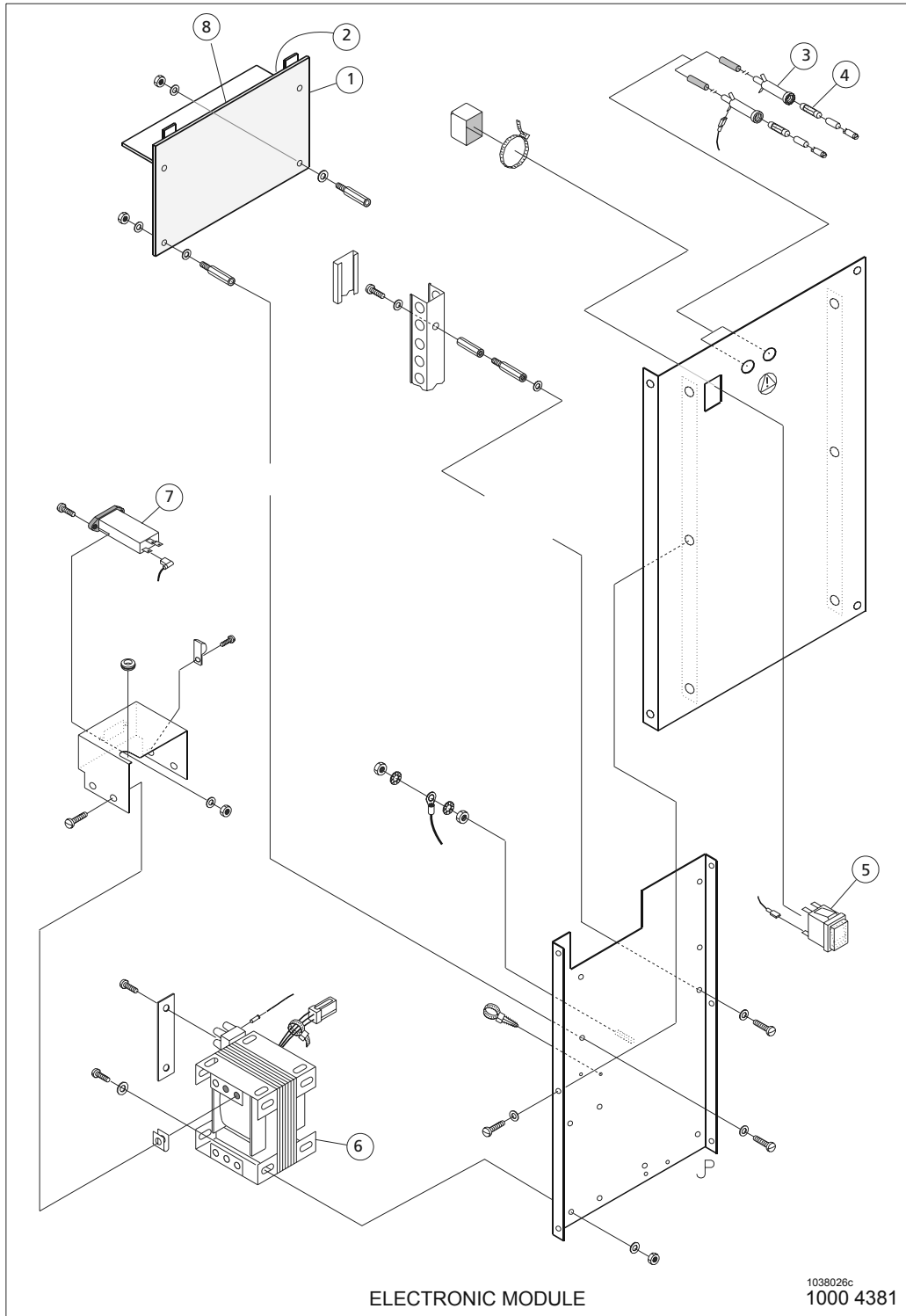


POSITIONERINGS-MODUL

2460003c P  
1000 8939

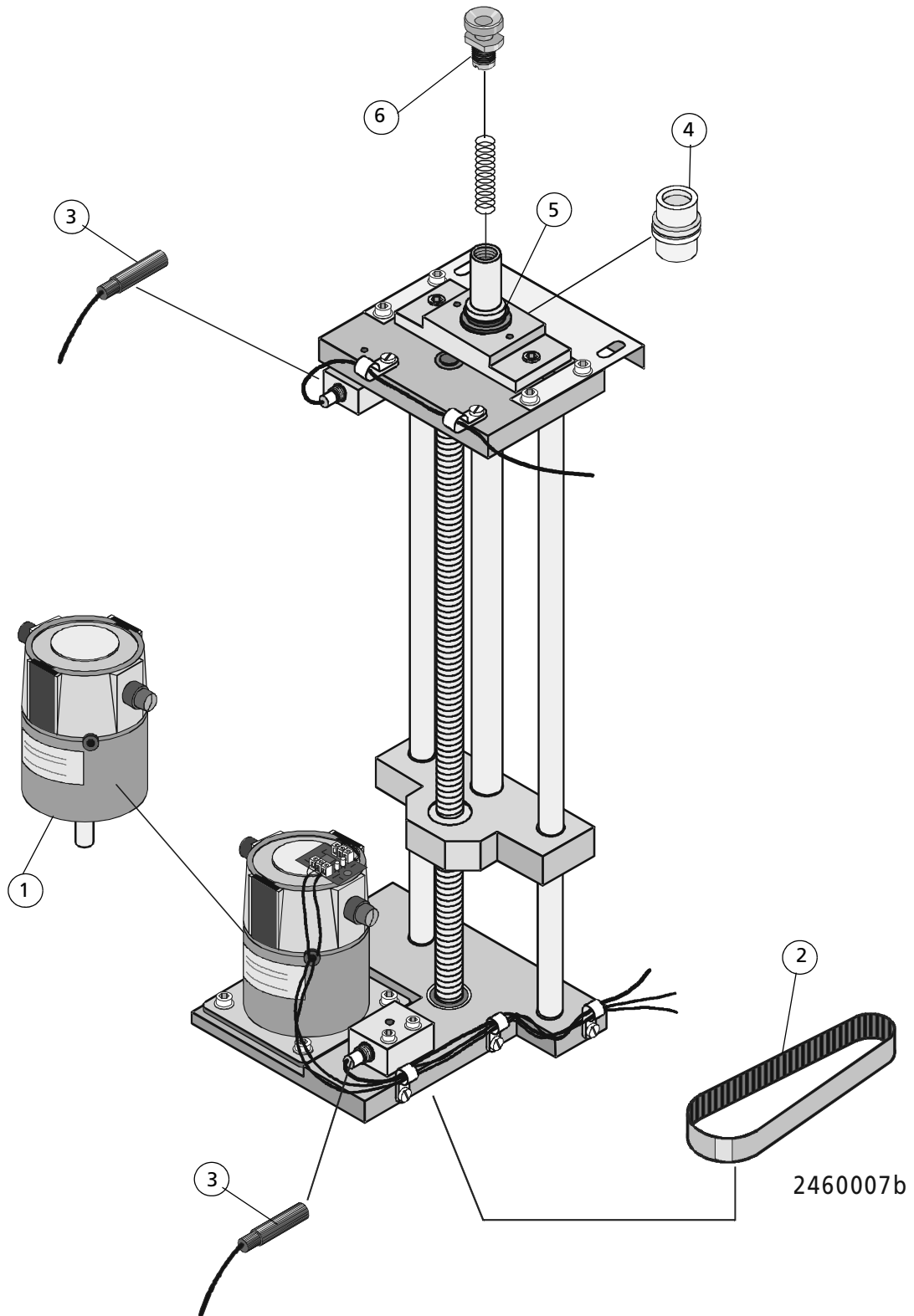
Designation: Electronics module cpl.
Drawing: 1038026c
Effective from serial no: 16297, 100 to serial no: 16603, 157

<b>Pos</b>	<b>Part number</b>	<b>Designation</b>	<b>Remarks</b>
1	1001 2835	Sampler control board cpl.	
2	1000 4228	Prom 2460	
3	1564 0091	Fuseholder	
4	1564 0042	Fuse, T630 mA	2 pcs.
5	1563 0138	Switch	
6	1000 4328	Transformer	
7	1565 0135	Power inlet	
8	1001 2130	Sensor interface board	S/N≥371360203



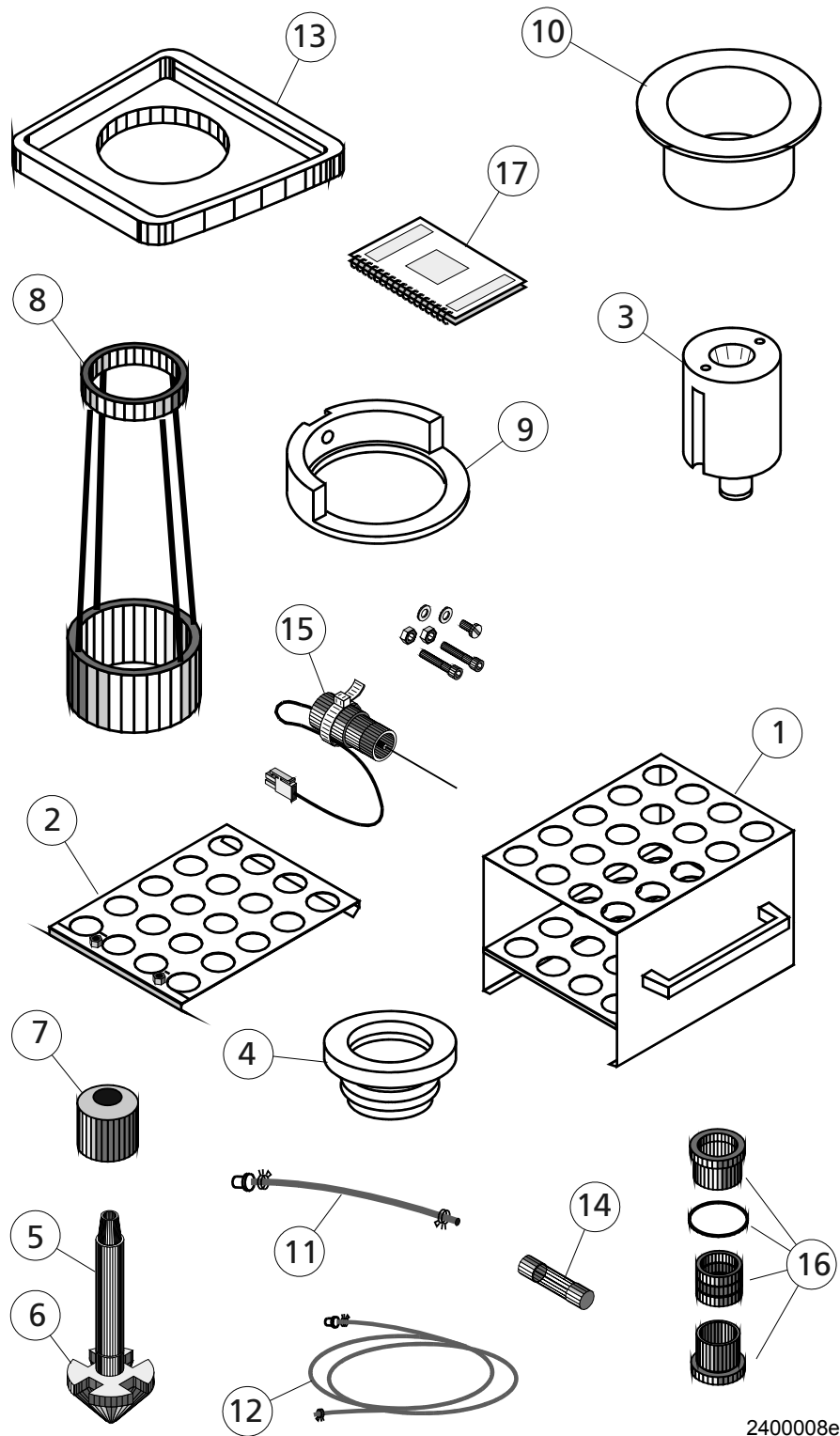
Designation: Push rod assembly cpl.	
Drawing: 2460007b	
Effective from serial no:	to serial no:

<b>Pos</b>	<b>Part number</b>	<b>Designation</b>	<b>Remarks</b>
1	1571 0026	Motor	
2	1545 0084	Belt	
3	1000 8929	Sensor	
4	1000 9258	Pack box	
5	1542 0116	V-seal for packbox	
6	1000 8933	Spring loaded tip for push rod	



Designation:
Drawing: 2400008b
Effective from serial no: _____ to serial no: _____

<b>Pos</b>	<b>Part number</b>	<b>Designation</b>	<b>Remarks</b>
1	1000 4237	Rack	
2	1000 4424	Washing plate	
3	1000 8280	Adapter	
4	1000 4083	Tube adapter sampler	
5	1001 9840	Guide extension	
6	1000 8703	Guide	
7	1000 5069	Nut	
8	1000 9021	Tube guide	
9	1000 9040	Holder for tube guide	
10	1000 9156	Tube guide, lower	
11	1000 4320	Tubing extension, short	
12	1000 4319	Tubing extension, long	
13	1000 8653	Drip tray	
14	1564 0042	Fuse 5x20 630	
15	1000 4318	Tube in place sensor	
16	1000 9258	Pack box	
17	9999 0800E	Accessories brochure	



2400008e

This page is intentionally not used.