
Kjeltec™ 8100/8200 Distillation Unit Spare Parts Manual

6002 3644 / Rev. 2



All information is liable to change without prior notice. For latest information about documentation updates for your specific instrument, please contact your local FOSS representative.

Rev.	Date of Issue	Revised Material
1	2008-12-10	First issue
2	2009-05-15	Spare parts updated.

Please inform Customer Support - Technical Communication Team at the address given below, if you have any opinions about or proposals for changes to this manual.

Customer Support - Technical Communication Team

e-mail tig@foss.dk

FOSS Analytical AB, Box 70, SE-263 21 Höganäs, Sweden

Tel Int +46 42 361500, Fax +46 42 340349

Table of Contents

1	General	1
2	Distillation Module 8100/8200	2
3	Distillation Module 8200	10
4	Bulkhead	12
5	Splash Head Holder	14
6	Tube Control Unit	16
7	Steam Generator	18
8	Condenser	20
9	Steam Valve	22
10	Front Cover Assembly	24
11	Tubings	26
12	Special Tools	28
13	Index	29

1 General

This document contains Spare Parts for Kjeltec™ 8100/8200 Distillation Unit.



Warning

Please read Safety Precautions in the Service Manual prior to maintenance or exchange of spare parts.

The system may only be repaired by FOSS personnel or by other personnel approved by FOSS.

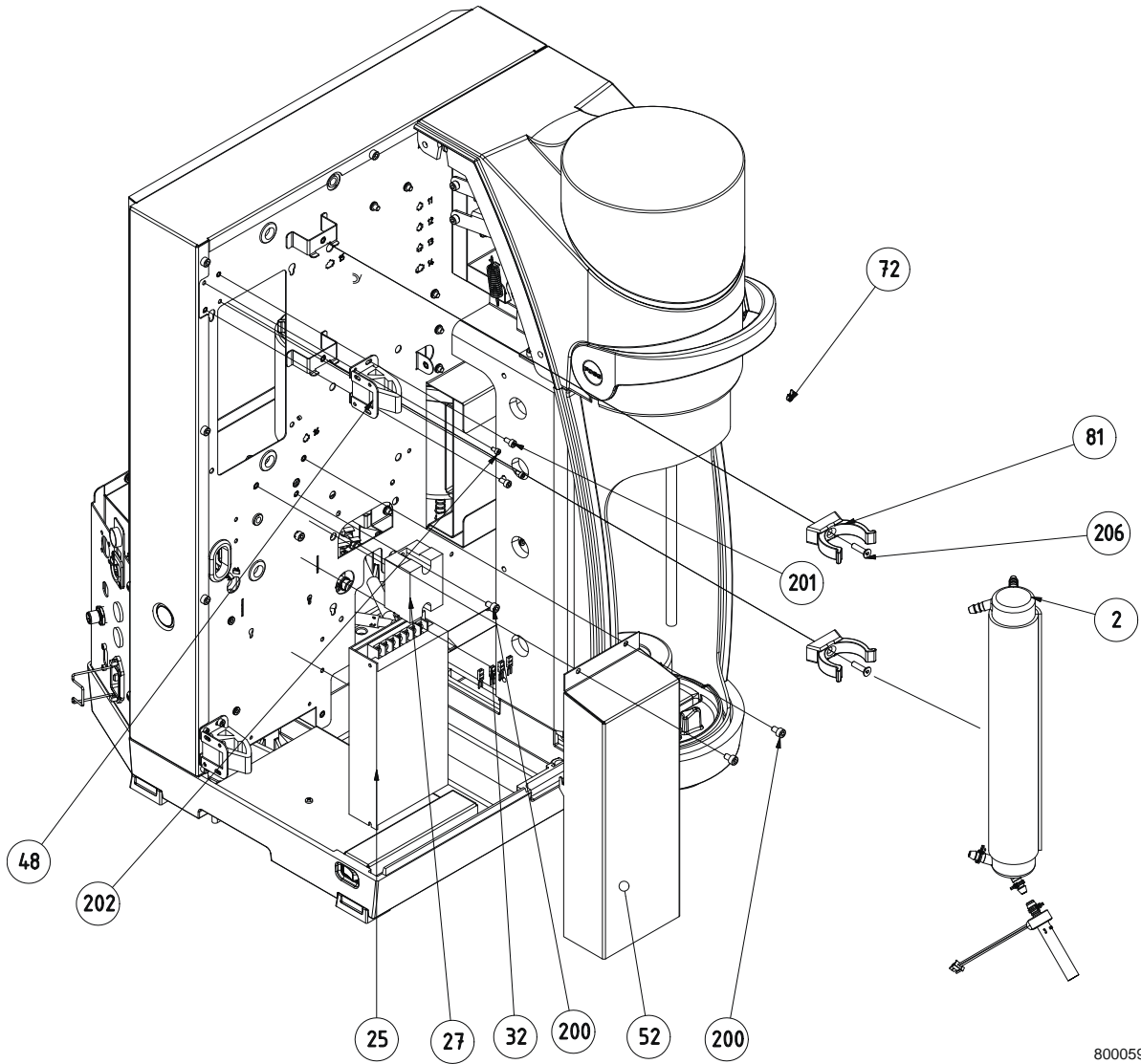
2 Distillation Module 8100/8200

Drawing No.: 10014906 **Page: 1**

Pos.	Part No.	Description	Note
2	60028287	Condensor Cpl	
25	60031630	Power Supply	
27	15620094	Solid State Relay	
200	15320022	Allen Screw M5 x 8	
201	55320017	Allen screw M4 x 8	

Service Kit: 60028295 Cable Kit 230V Wiring

Pos.	Description	Note
31	Cable Mains Power	
32	Cable Mains Voltage	



8000591a

Fig. 1

Drawing No.: 10014906**Page: 2**

Pos.	Part No.	Description	Note
4	60028288	Steam valve	
5	60031628	Pinch valve	
9	60031629	Steam Generator	See Fig. 9
38	60028290	Pump	
42	60028292	Tube Drain Vessel	
200	15320022	Allen Screw M5 x 8	
202	55320024	Allen Screw M3 x 6	

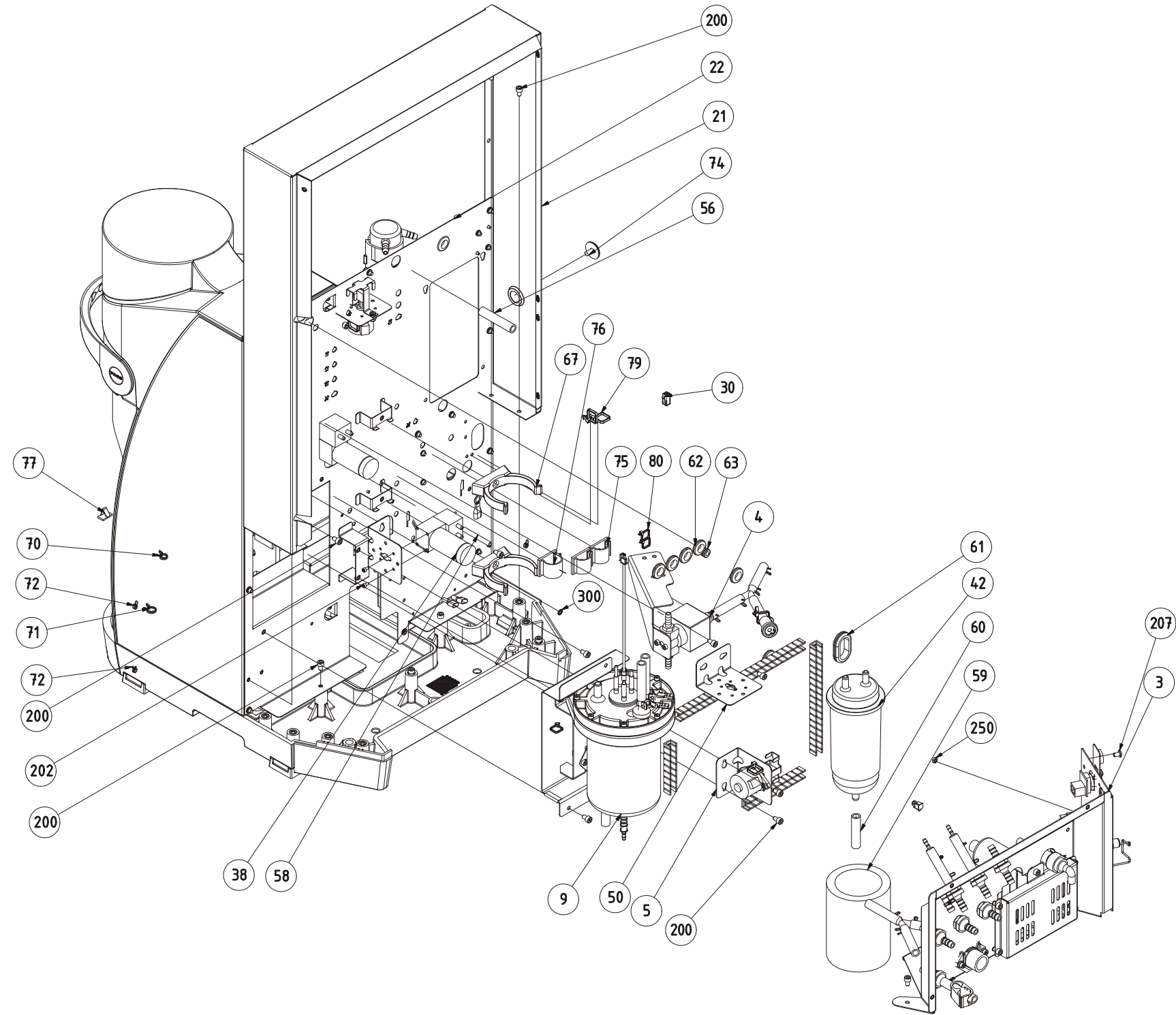


Fig. 2

8000592a

Drawing No.: 10014906**Page: 3**

Pos.	Part No.	Description	Note
6	60028296	Splash Head	
24	60023791	Power Switch	
40	60022622	Foot	
43	10015153	Tube Adapter	Combi adapter for 250/100 ml tubes
	10000056	Adapter for dig. tubes 250 ml	
	10000487	Adapter for dig. tubes 100 ml	
45	60031631	Safety door 8200/8400	
	60028294	Safety door 8100	
46	60022390	Tube support	
53	60024200	Handle	
68	15810081	Reduction coupling	
200	15320022	Allen Screw M5 x 8	
204	15320060	Allen Screw M5 x 12	
301	15380002	Washer	
302	15380052	Washer	

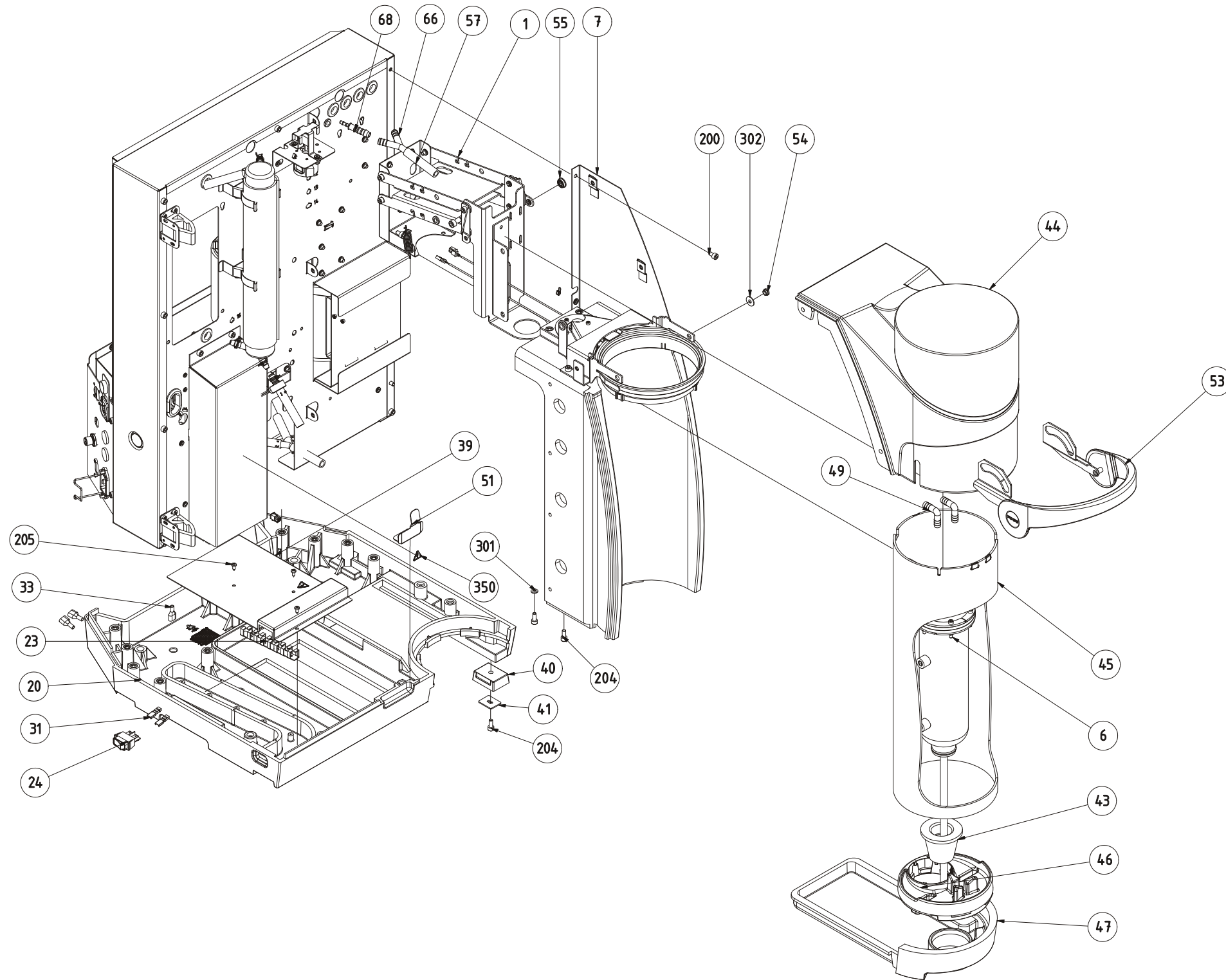


Fig. 3

8000590a

1 Distillation Module 8100

Drawing No.: 10014906

Pos.	Part No.	Description	Note
21	60032001	Holder E-Flask Cpl	
22	10000286	Handle	
24	60030311	Glass Tube	
31	15840087	Non Return Valve	
35	15810007	Y-Connector	
36	15820050	Tube Clamp	
37	15810081	Reduction Coupling	
38	15470092	Knob	
202	15320022	Screw M5 x 8	
204	15350036	Screw	
205	15320122	Screw M5 x 8	

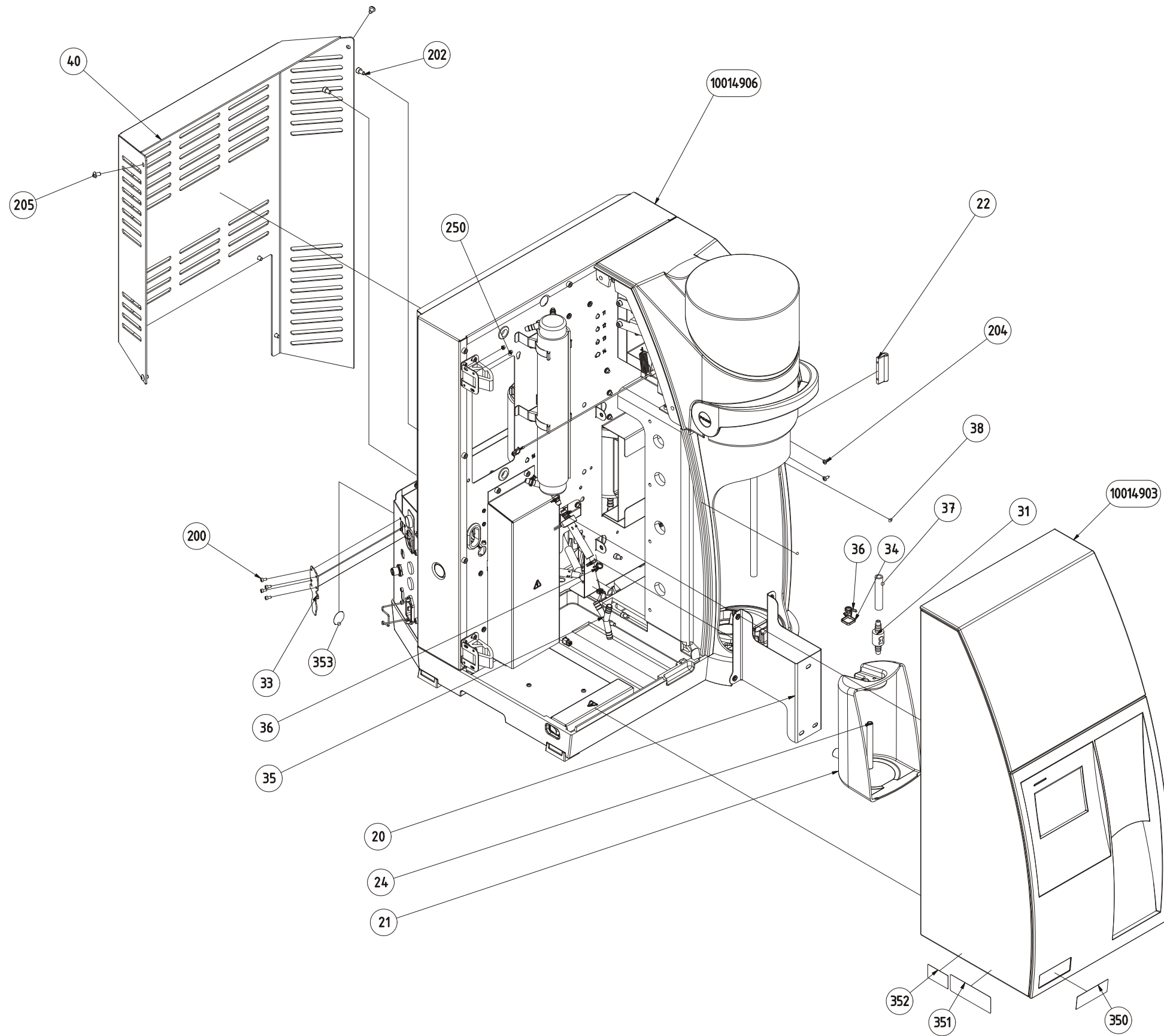


Fig. 4

8000593a

3 Distillation Module 8200

Drawing No.: 10014908

Pos.	Part No.	Description	Note
21	60032001	Holder E-Flask Cpl	
22	60030311	Glass Tube	
24	60024271	Cable Connector Panel	
26	60031626	Bellow Pump	
28	60024556	Motor Cap	
30	15810081	Reduction Coupling	
31	15840087	Non Return Valve	
32	60030787	Cable Distiller Light	
37	15810007	Y-Connector	
41	15820050	Tube Clamp	
42	15820051	Tube Clamp	
43	15820061	Tube Clamp	
203	15320122	Screw M5 x 8	

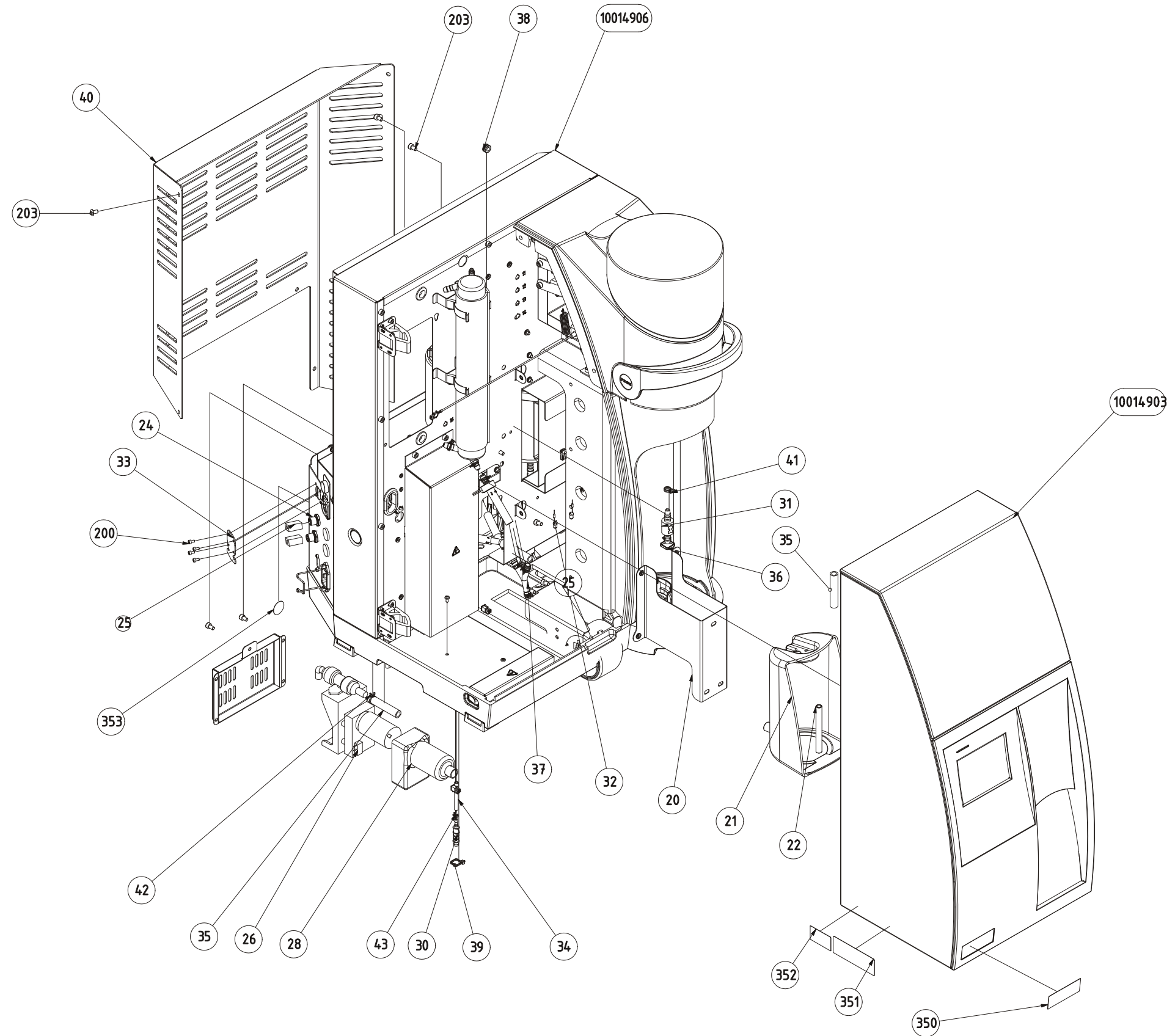


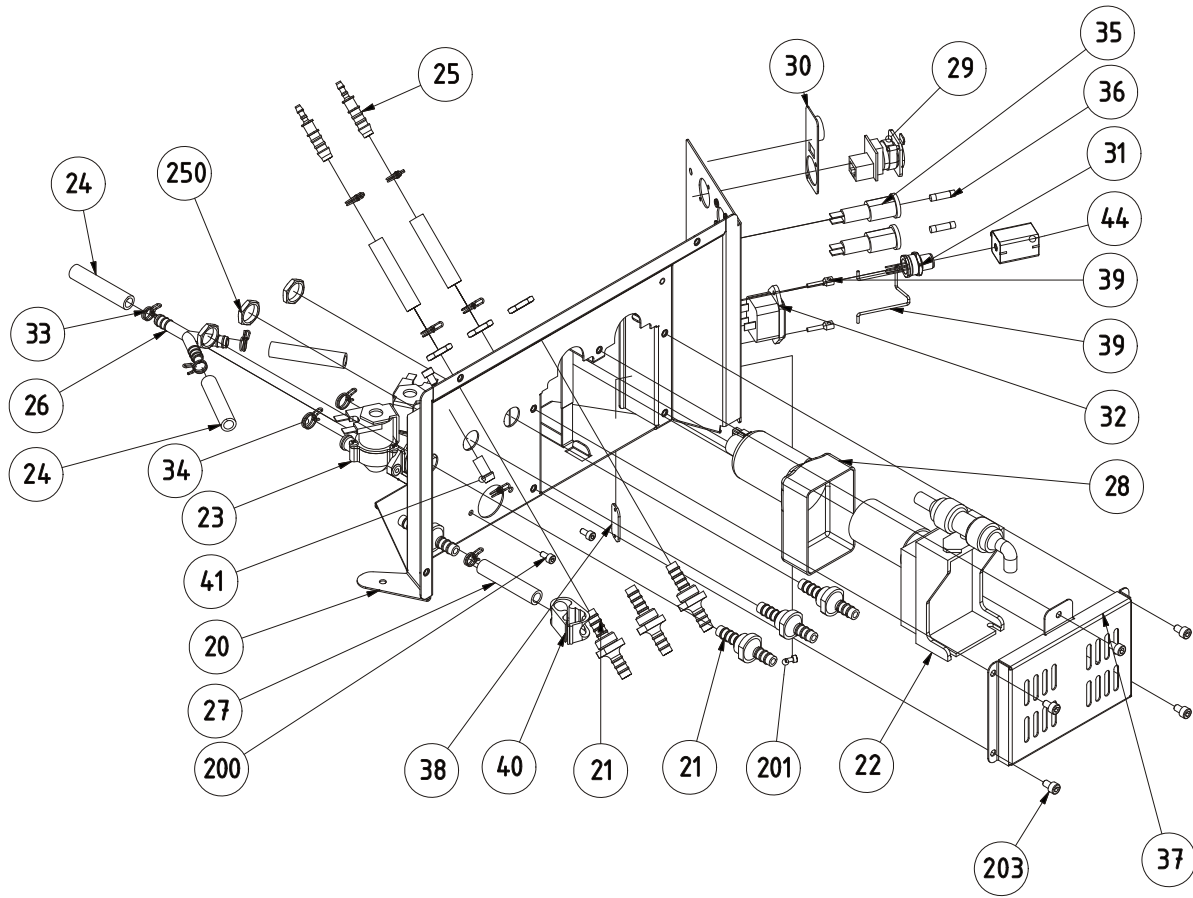
Fig. 5

8000594a

4 Bulkhead

Drawing No.: 10014896

Pos.	Part No.	Description	Note
21	10001012	Double Hose Connection	
22	60031626	Bellow Pump	
23	60022685	Water Valve	
25	15810081	Reduction Coupling	
26	15810007	Y-Connector	
28	60024556	Motor Cap	
29	60024619	RJ45 Connector	
31	60024271	Cable & Connector kit	
32	60024967	Power Inlet	
33	15820050	Tube Clamp	
34	15820051	Tube Clamp	
35	15640091	Fuse Holder	
36	15640166	Fuse 10 A	
39	60029971	Retainer clip	
40	60026095	Tube Clamp	
200	55320017	Screw M4 x 8	
201	55320024	Screw M3 x 6	
203	15320022	Screw M5 x 8	
250	15370005	Nut 3/8	
	60028293	Tube Coupling Set	Not illustrated
	60027131	Mains Cable	Not illustrated
	60027130	Cable to Reagent Tank	Not illustrated
	10000019	Cable Between Tanks	Not illustrated
	10000020	Terminator	Not illustrated



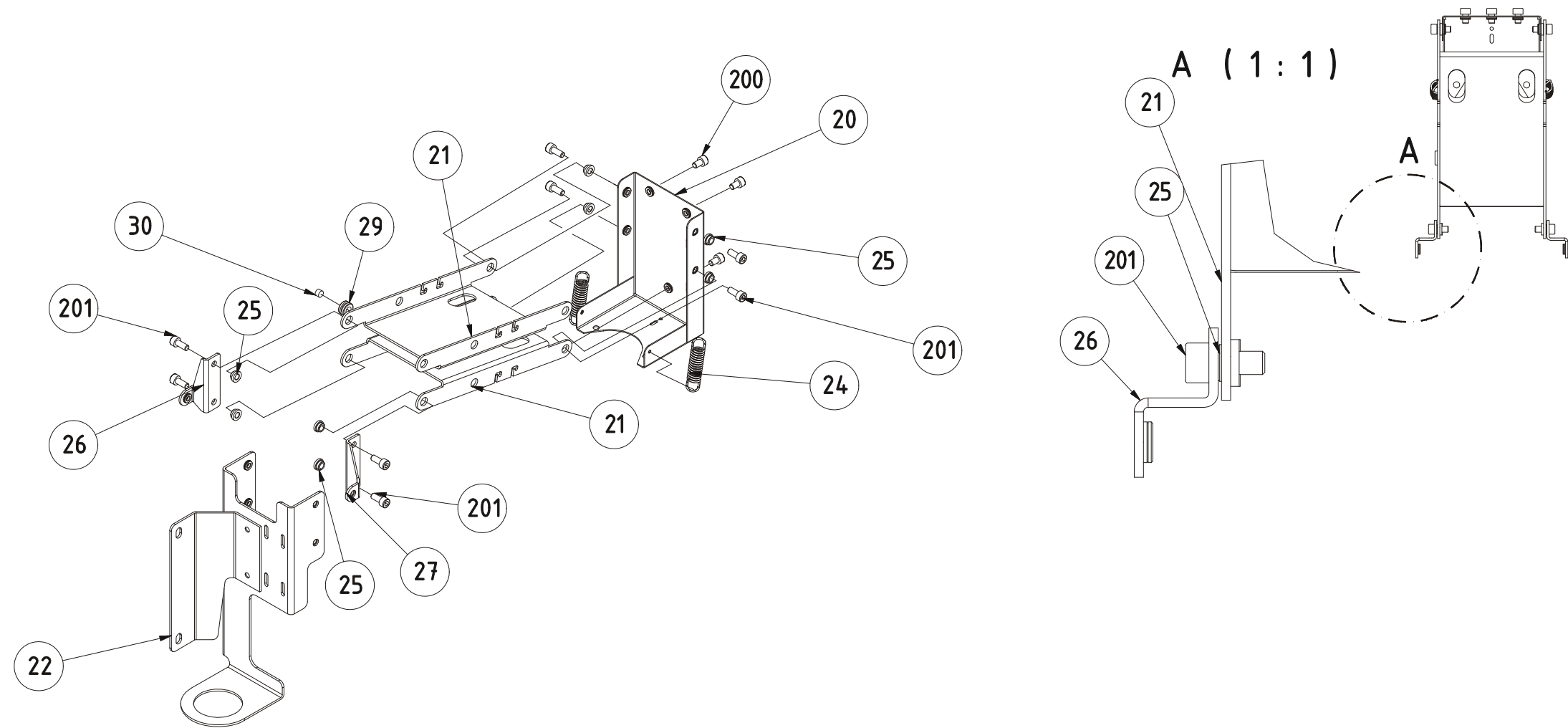
8000595a

Fig. 6

5 Splash Head Holder

Drawing No.: 10014817

Pos.	Part No.	Description	Note
24	60023709	Spring	



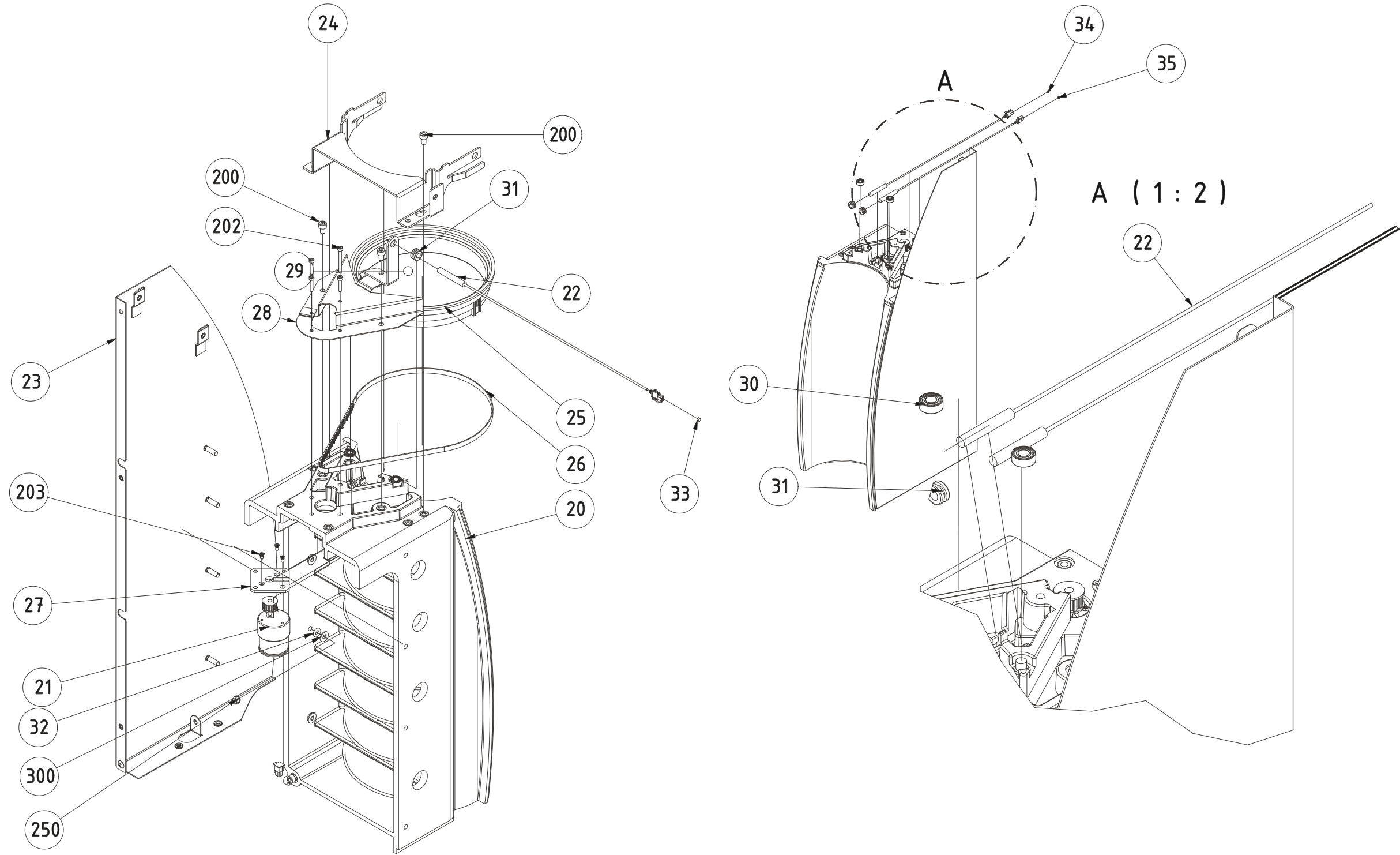
8000596a

Fig. 7

6 Tube Control Unit

Drawing No.: 60023413

Pos.	Part No.	Description	Note
21	60028291	DC Motor	
22	60031627	Reed Switch	
25	10015151	Gear Ring 8200/8400	
26	60023697	Belt	
30	5545002	Bearing	
200	15320022	Screw M5 x 8	
202	55320015	Screw M3 x 30	
203	55330013	Screw M3 x 6	
250	15370023	Check Nut M5	
300	15380052	Washer	



8000597a

Fig. 8

7 Steam Generator

Drawing No.: 60030606

Pos.	Part No.	Description	Note
20	60023706	Temperature Sensor	
21	60023764	Rubber Grommet	
25	10003513	Heating element 2200W 230V	
26	60031737	Cable Steam Generator	
27	10001786	Level Pin	
28	10006155	Reference Pin Partial Isolated	
29	10002761	Rubber Seal	
31	10002720	Glass Vessel	
34	10002762	Seal for Cover Steam Generator	
40	15490028	Rubber Grommet for Heater Coil	
52	15820051	Tube Clamp	
53	15810081	Reduction Coupling	
200	15320139	Screw M4 x 30	
201	55320017	Screw M4 x 8	
251	15370014	Nut M4	
301	15380015	Washer	

Service Kit: 60031636 Current Overheat

Pos.	Description	Note
22	Thermal Pad	
43	Overheat protector	

Service Kit: 60031635 Lid Cpl

Pos.	Description	Note
35	Plastic Cover	
40	Rubber Grommet for Heater Coil 2 Pcs	
29	Rubber Seal	
21	Rubber Grommet	

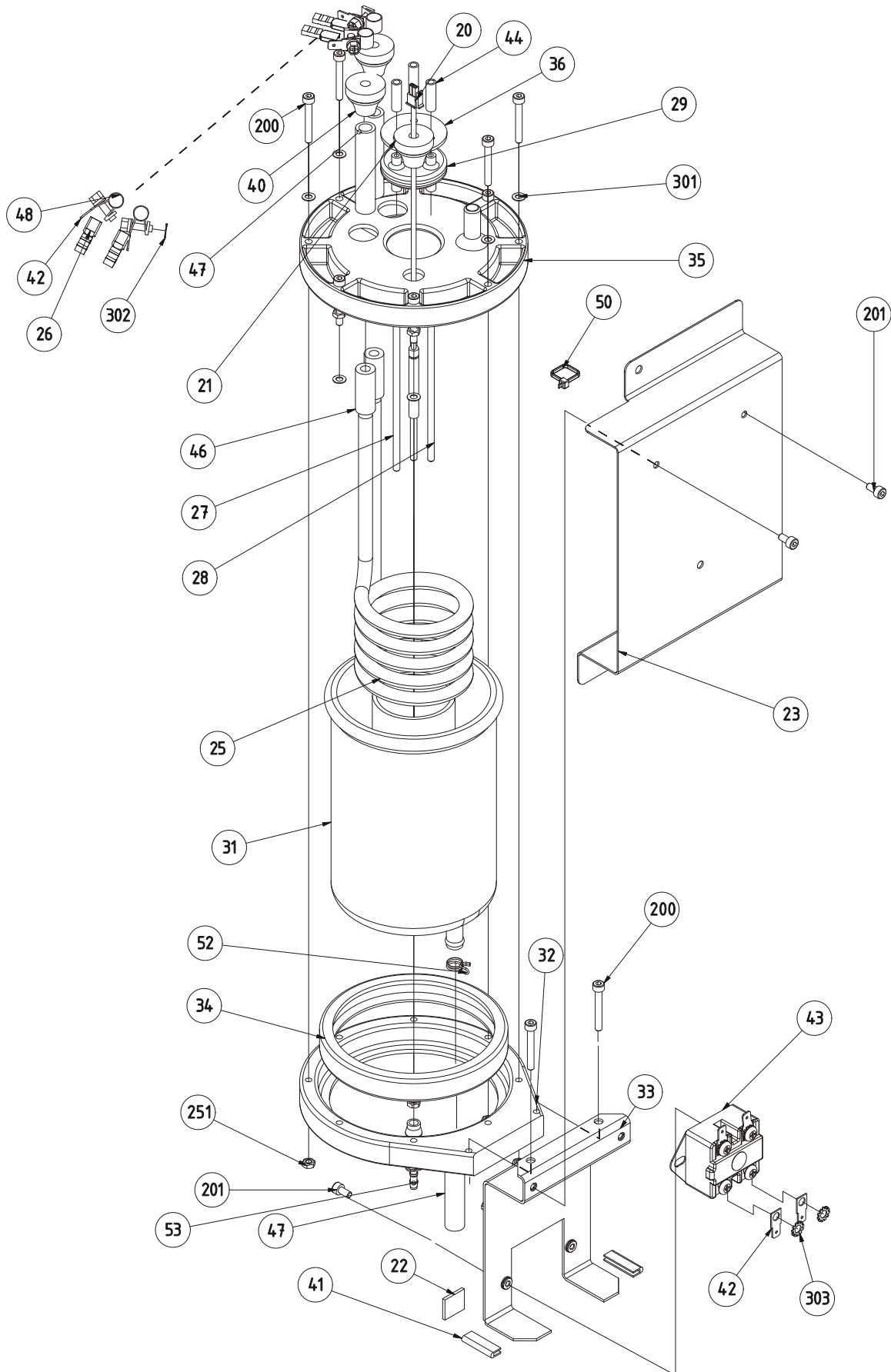


Fig. 9

8000598a

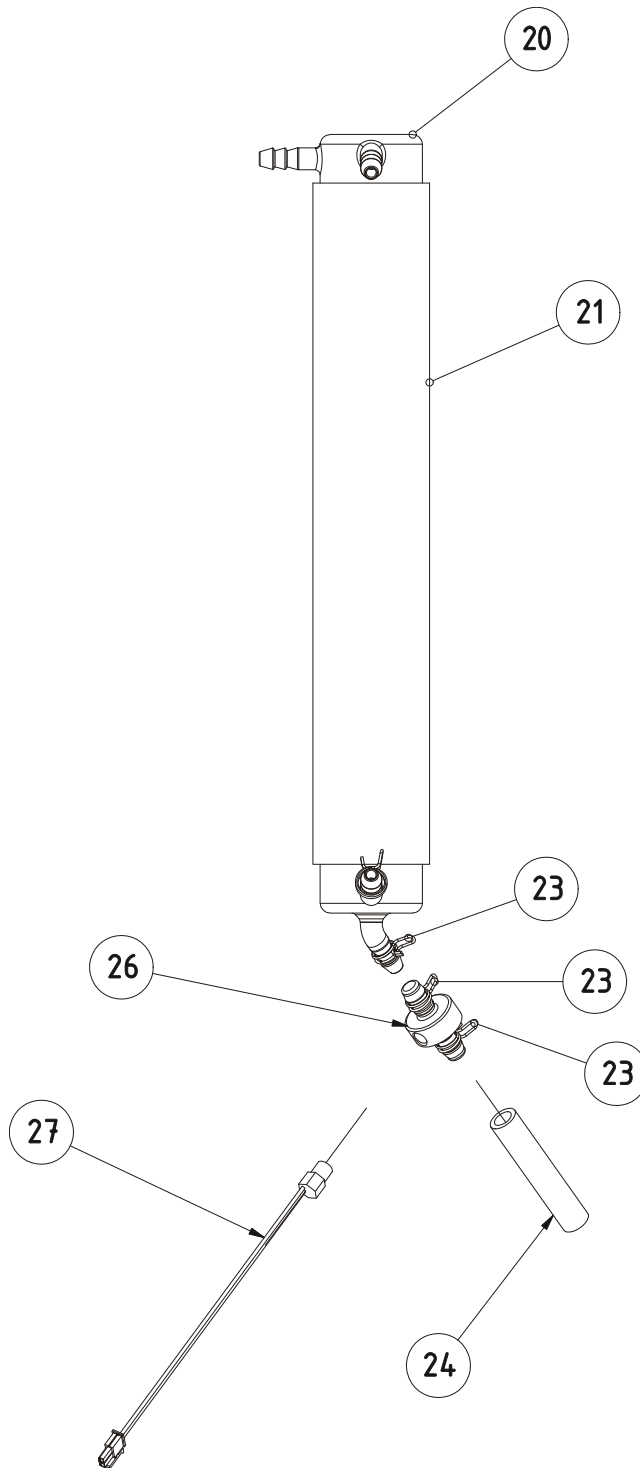
8 Condenser

Drawing No.: 10014895

Pos.	Part No.	Description	Note
23	15820051	Tube Clamp	
26	10015147	Holder Temp Sensor	
27	15250073	Temperature Sensor	

Service Kit: 60028287 Condensor Cpl

Pos.	Description	Note
20	Condensor	
21	Insulation Condensor	



8000599a

Fig. 10

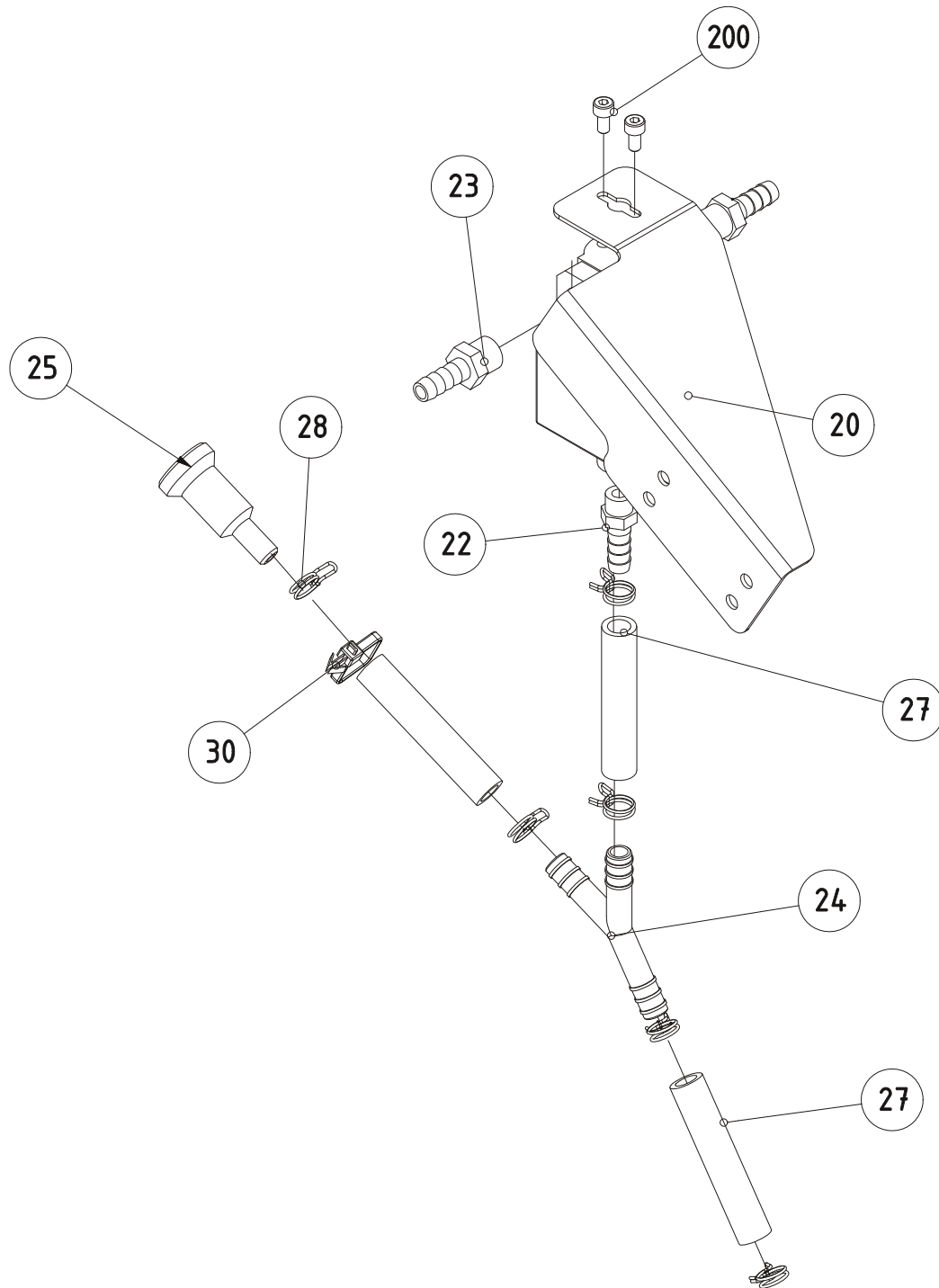
9 Steam Valve

Drawing No.: 10014897

Pos.	Part No.	Description	Note
22	15810073	Hose Connection	
23	15860011	Hose Connection	
24	15810007	Y-Connector	
25	15840087	Non return Valve	
28	15820050	Tube Clamp	
30	15690024	Cable Tie	
200	55320017	Screw M4 x 8	

Service Kit: 60028288 Steam Valve

Pos.	Description	Note
20	Solenoid Valve	
22	Hose Connection	
23	Hose Connection	
24	Hose Connection	
25	Non Return Valve	
27	EPDM tubing 8/12	
28	Tube Clamp	
30	Cable Tie	
200	Screw	



8000600a

Fig. 11

10 Front Cover Assembly

Drawing No.: 10014904**Page: 1**

Pos.	Part No.	Description	Note
20	60028281	User Interface Board	
21	60028285	Main Board, Distillation unit	
22	60026263	RACM Cpl.	For KT8200
	60034954	RACM Cpl.	For KT8100
23	60028282	Keypad Assy Distiller	
24	10014869	Cable	
25	60023752	Cable	
26	60029028	Cable	
27	60024924	Cable	
28	15610614	Cable	
29	60026924	Display	
200	15320113	Screw M3 x 4	
201	55320024	Screw M3 x 6	
202	15320022	Screw M5 x 8	
203	15390069	Spacer	
204	55390020	Spacer	
205	15360001	Spacer	
206	15320016	Screw M3 x 12	
251	15370017	Nut M5	
300	15380010	Washer	
302	15380018	Washer	
304	15380032	Washer	

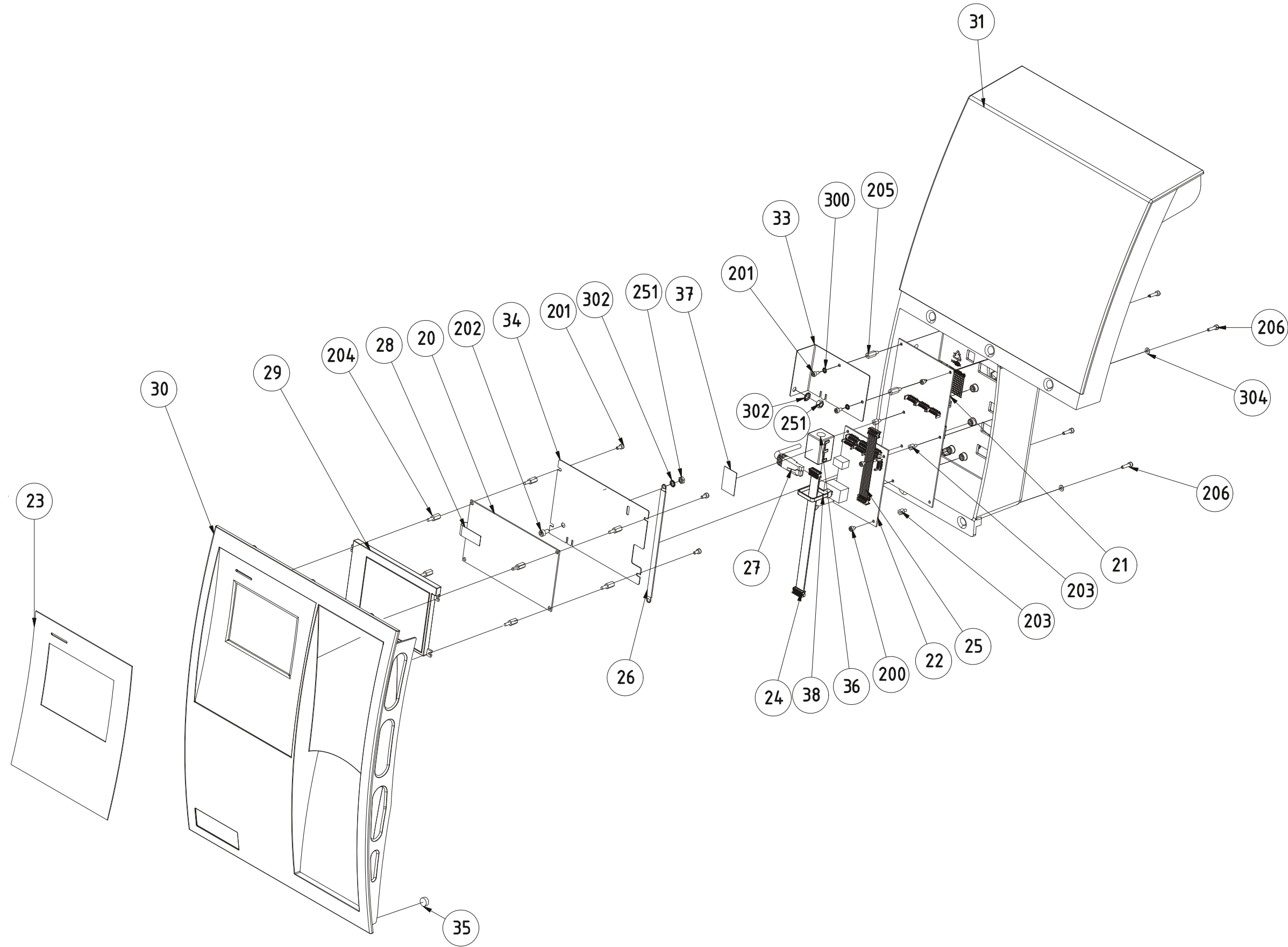


Fig. 12

8000601a

11 Tubings

Pos.	Part No.	Description	Note
1	15820204	EPDM Tubing 6x12	420 mm
2	60023701	EPDM Tubing 8x12	60 mm
3	60023701	EPDM Tubing 8x12	580 mm
4	15820204	EPDM Tubing 6x12	1150 mm
5	15820204	EPDM Tubing 6x12	1150 mm
6	60023701	EPDM Tubing 8x12	720 mm
7	60023701	EPDM Tubing 8x12	40 mm
8	60023701	EPDM Tubing 8x12	75 mm
9	60023701	EPDM Tubing 8x12	40 mm
10	60023701	EPDM Tubing 8x12	50 mm
11	60023701	EPDM Tubing 8x12	140 mm
12	15820006	Silicone Tubing 8 x 12	290 mm
13	15820006	Silicone Tubing 8 x 12	520 mm
14	15820006	Silicone Tubing 8 x 12	360 mm
15	15820006	Silicone Tubing 8 x 12	35 mm
16	15820006	Silicone Tubing 8 x 12	290 mm
17	15820006	Silicone Tubing 8 x 12	75 mm
18	15820006	Silicone Tubing 8 x 12	200 mm
19	15820006	Silicone Tubing 8 x 12	220 mm
20	60023704	Silicone Tubing 4 x 6	600 mm
21	60023704	Silicone Tubing 4 x 6	400 mm
22	60023704	Silicone Tubing 4 x 6	330 mm
23	60023704	Silicone Tubing 4 x 6	600 mm
24	60023704	Silicone Tubing 4 x 6	700 mm
25	60030385	Norpren Tubing 8 x 12,8	255 mm

12 Special Tools

Pos.	Part No.	Description	Note
	60029503	Tool for Molex plug removal	

13 Index

Part No.	Page		
		15840087	8, 22
		15860011	22
10000019	12	55320015	16
10000020	12	55320017	2, 12, 18, 22
10000056	6	55320024	4, 12, 24
10000286	8	55330013	16
10000487	6	55390020	24
10001012	12	5545002	16
10001786	18	60022390	6
10002720	18	60022622	6
10002761	18	60022685	12
10002762	18	60023697	16
10003513	18	60023701	26
10006155	18	60023704	26
10014869	24	60023706	18
10015147	20	60023709	14
10015151	16	60023752	24
10015153	6	60023764	18
15250073	20	60023791	6
15320016	24	60024200	6
15320022	2, 4, 6, 8, 12, 16, 24	60024271	12
15320060	6	60024556	12
15320113	24	60024619	12
15320122	8	60024924	24
15320139	18	60024967	12
15350036	8	60026095	12
15360001	24	60026263	24
15370005	12	60026924	24
15370014	18	60027130	12
15370017	24	60027131	12
15370023	16	60028281	24
15380002	6	60028282	24
15380010	24	60028285	24
15380015	18	60028287	2, 20
15380018	24	60028288	4, 22
15380032	24	60028290	4
15380052	6, 16	60028291	16
15390069	24	60028292	4
15470092	8	60028293	12
15490028	18	60028294	6
15610614	24	60028295	2
15620094	2	60028296	6
15640091	12	60029028	24
15640166	12	60029503	28
15690024	22	60029971	12
15810007	8, 12, 22	60030311	8
15810073	22	60030385	26
15810081	6, 8, 12, 18	60031626	12
15820006	26	60031627	16
15820050	8, 12, 22	60031628	4
15820051	12, 18, 20	60031629	4
15820204	26		

60031630	2
60031631	6
60031635	18
60031636	18
60031737	18
60032001	8
60034954	24