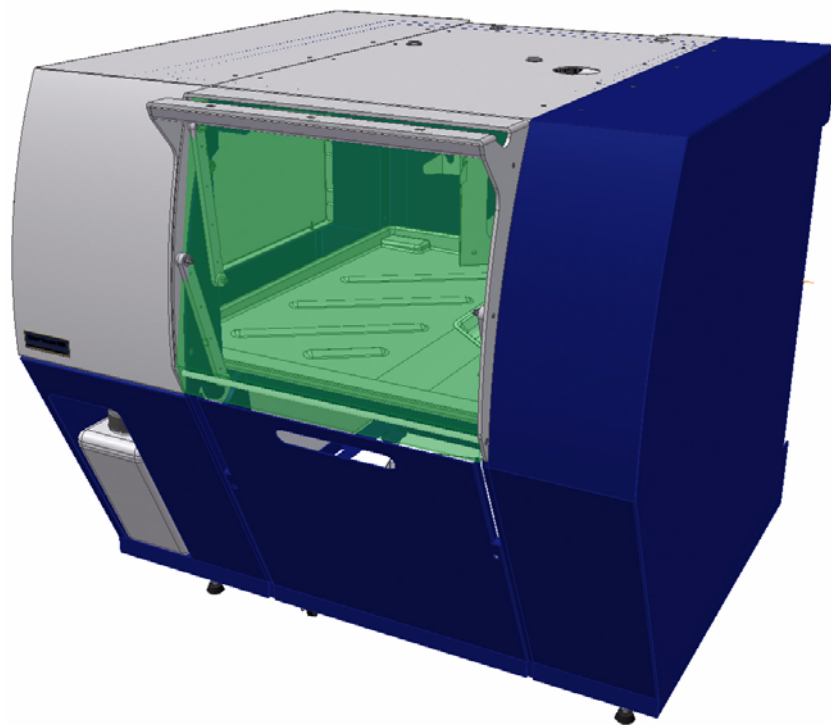

Kjeltec™ Sampler 8460 Spare Parts Manual

6002 3647 / Rev. 2



All information is liable to change without prior notice. For latest information about documentation updates for your specific instrument, please contact your local FOSS representative.

Rev.	Date of Issue	Revised Material
1	2008-12-10	First issue
2	2009-05-15	Spare parts updated

Please inform Customer Support - Technical Communication Team at the address given below, if you have any opinions about or proposals for changes to this manual.

Customer Support - Technical Communication Team

e-mail tig@foss.dk

FOSS Analytical AB, Box 70, SE-263 21 Höganäs, Sweden

Tel Int +46 42 361500, Fax +46 42 340349

Table of Contents

1	General	1
2	Sampler 60	2
3	X-Beam	12
4	Sampler Door	14
5	Tank Drawer	16
6	Index	19

1 General

This document contains Spare Parts for Kjeltec™ Sampler 8460.



Warning

Please read Safety Precautions in the Service Manual prior to maintenance or exchange of spare parts.

The system may only be repaired by FOSS personnel or by other personnel approved by FOSS.

2 Sampler 60

Drawing No.: 10015060 Page: 1

Pos.	Part No.	Description	Note
4	60022076	Tank Drawer	
50	60032070	Drip Pan	
55	60022608	Gas Spring	
76	60032069	Upper Drip Tray	
99	60028276	Lower Drip Tray	
208	55330040	Screw M4 x 12	
253	15370014	Nut M4	
254	15370019	Nut M5	
300	15380039	Washer	
301	15380024	Washer	

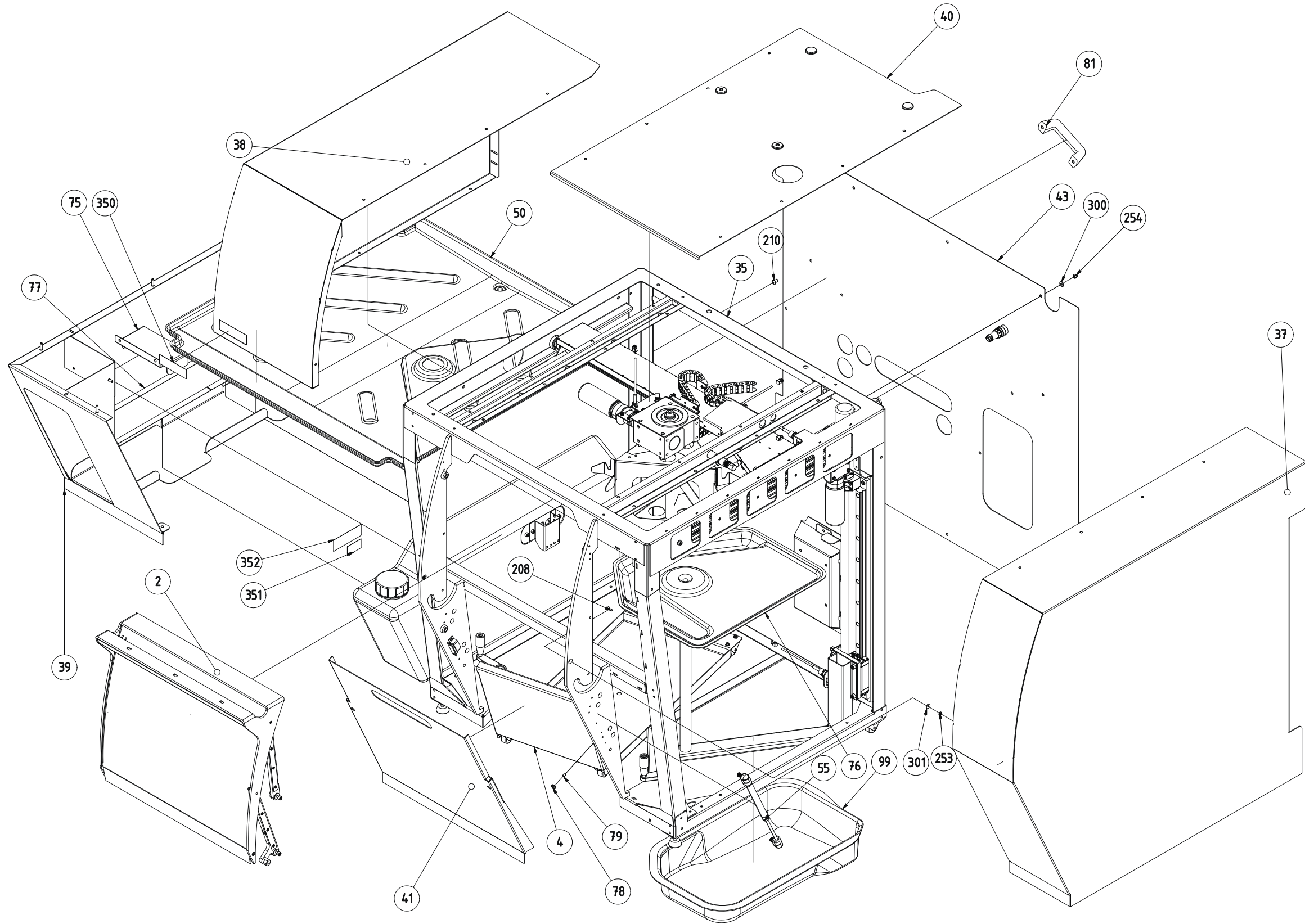


Fig. 1

8000613b

Drawing No.: 10015060 Page: 2

Pos.	Part No.	Description	Note
20	60034951	Control board sampler 60	
21	60028406	DC Motor 24V	
23	60028274	Linear Drive – Push Rod	
24	60028275	Linear Drive – Y, 60	
25	60024330	Inductive Sensor	
26	60029210	Tube Down sensor Ultrasonic	
27	60024312	Connection Cable	
28	60024269	Cable, Ultrasonic Sensor	
34	60037090	DC-Motor 24 V	
36	60022077	Tube Rack Holder	
46	60031012	Push Rod Tip	
48	60026888	Coupling Disc	
49	60026963	Motor Cap	
56	15470095	Wheel	
57	60026771	Adjustable Foot	
60	60024152	Cable Assembly	
64	10000240	Tube Connection	
65	15420007	O-ring	
74	60032078	Water Tank Sampler 60	
100	60029240	Transportation Bracket	
200	15320010	Screw M6 x 20	
201	15320022	Screw M5 x 8	
203	15320050	Screw M6 x 45	
204	55320017	Screw M4 x 8	
205	55320024	Screw M3 x 6	
207	15320109	Screw M10 x 25	
209	15320007	Screw M6 x 12	
250	15370036	Nut M8	
251	15370017	Nut M5	
252	15370009	Nut R8	
254	15370019	Nut M5	
300	15380039	Washer	

Service Kit: 60027834 Push Rod

Pos.	Description	Note
44	Push Rod Arm	
45	Push Rod Tube	
46	Push Rod Tip	
200	Screw M6 x 20	
208	Screw M6 x 12	
302	Washer	
303	Washer	

Drawing No.: 10015060 Page: 4

Pos.	Part No.	Description	Note
56	15470095	Wheel	
201	15320022	ScrewM5 x 8	
250	15370036	Nut M8	
255	15370023	Nut M5	

H (1:2)

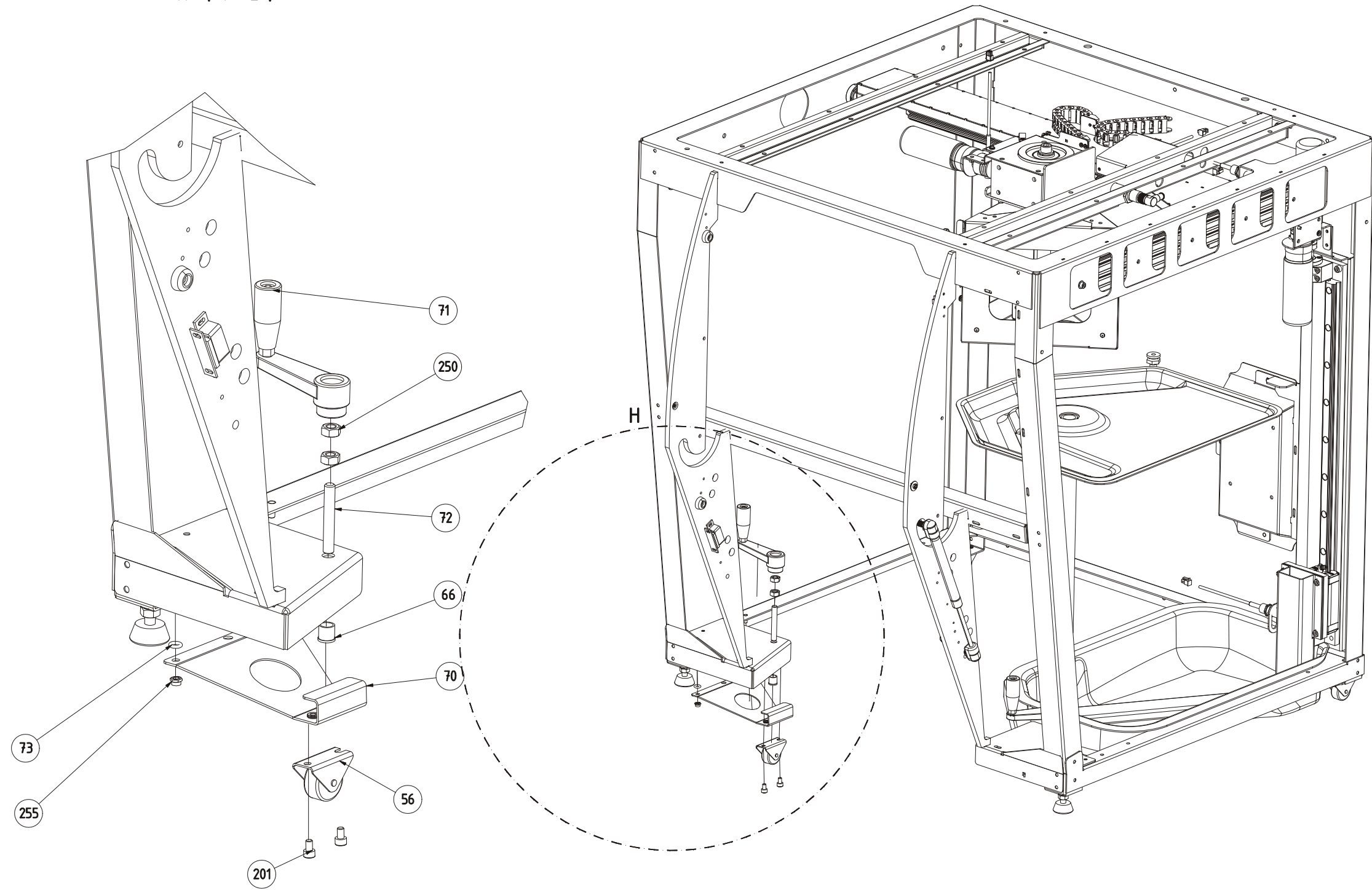


Fig. 3

8000616a

Drawing No.: 10015060 Page: 3

Pos.	Part No.	Description	Note
29	60024871	Cable Duct End Piece	
62	60027087	Flex cable duct	
204	55320017	Screw M4 x 8	
205	55320024	Screw M3 x 6	

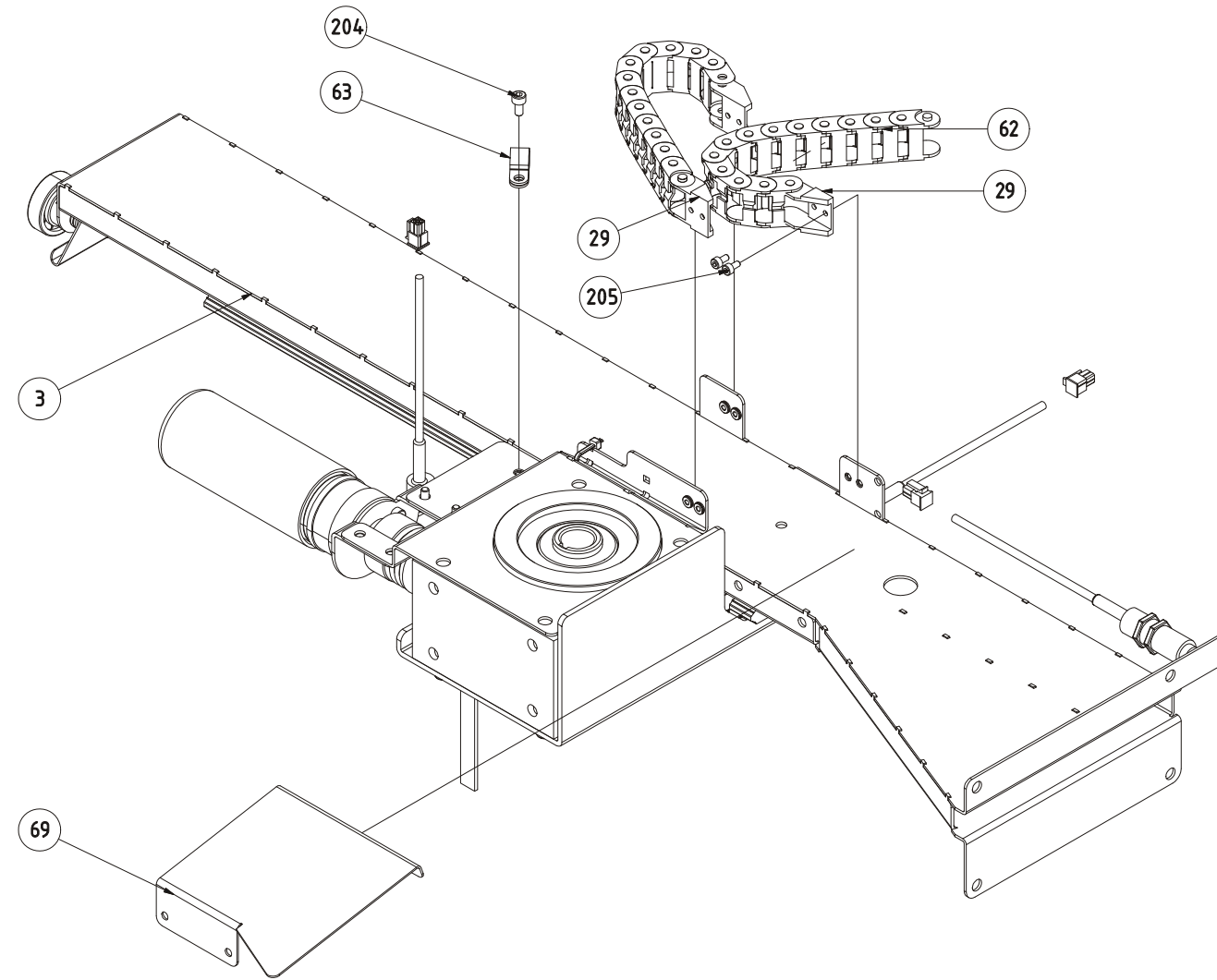


Fig. 4

8000615a

Drawing No.: 10015060 Page: 5

Pos.	Part No.	Description	Note
32	60028272	Reed Switch	
58	15470081	Bumper	

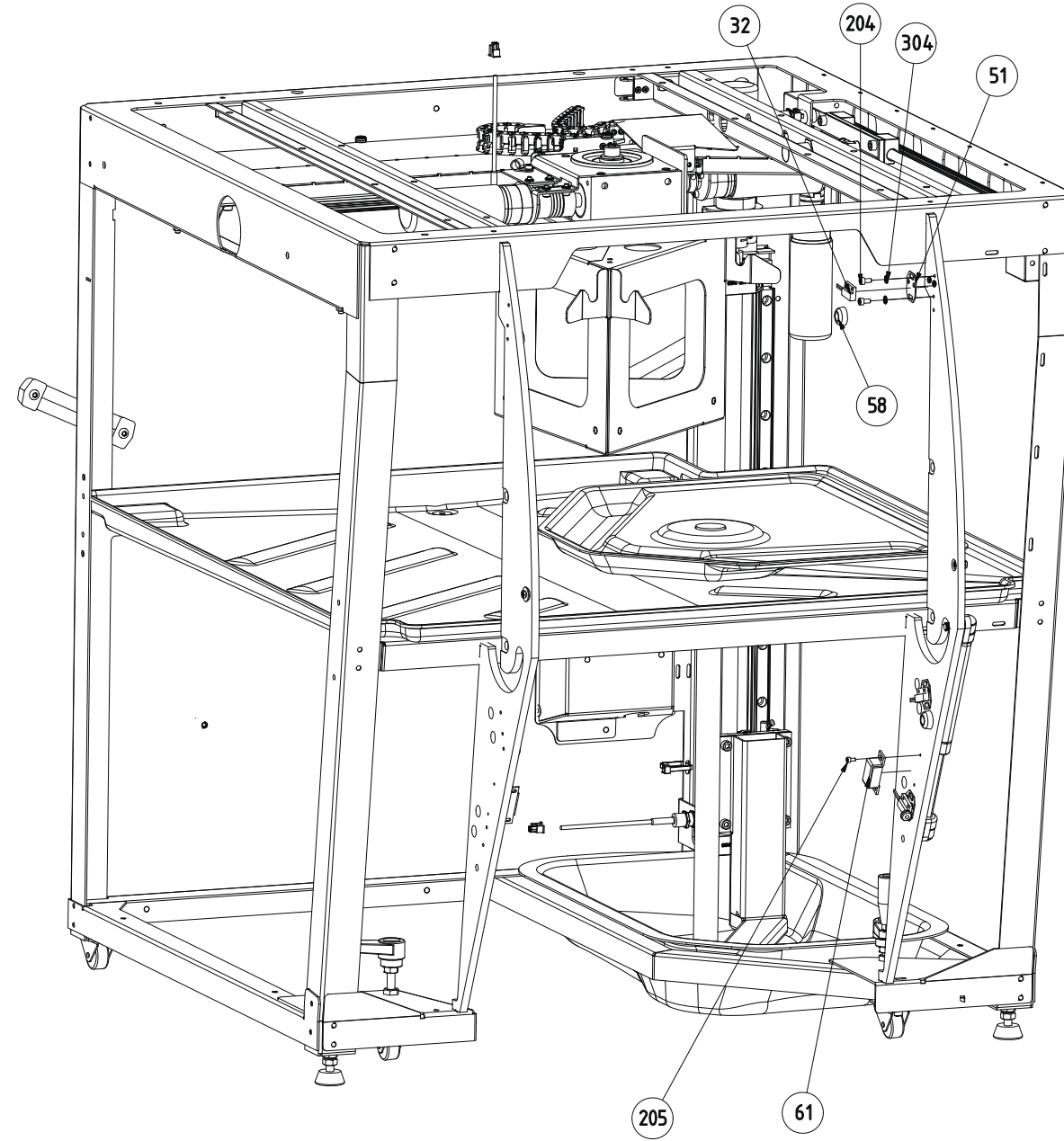


Fig. 5

8000639a

3 X-Beam

Drawing No.: 60025163 Page: 1

Pos.	Part No.	Description	Note
20	60028298	Linear Drive incl Beam-X,60	
21	60028277	DC Motor 24 V	
22	60028404	DC Motor 24 V	
23	60024330	Inductive Sensor	
25	60028405	Worm Gear	
30	60024079	Bearing	
35	60026963	Motor Cover	
36	60026888	Coupling Disc	
38	15480016	Circlip	
200	15320017	Screw M2,5 x 16	
201	15320108	Screw M5 x 45	

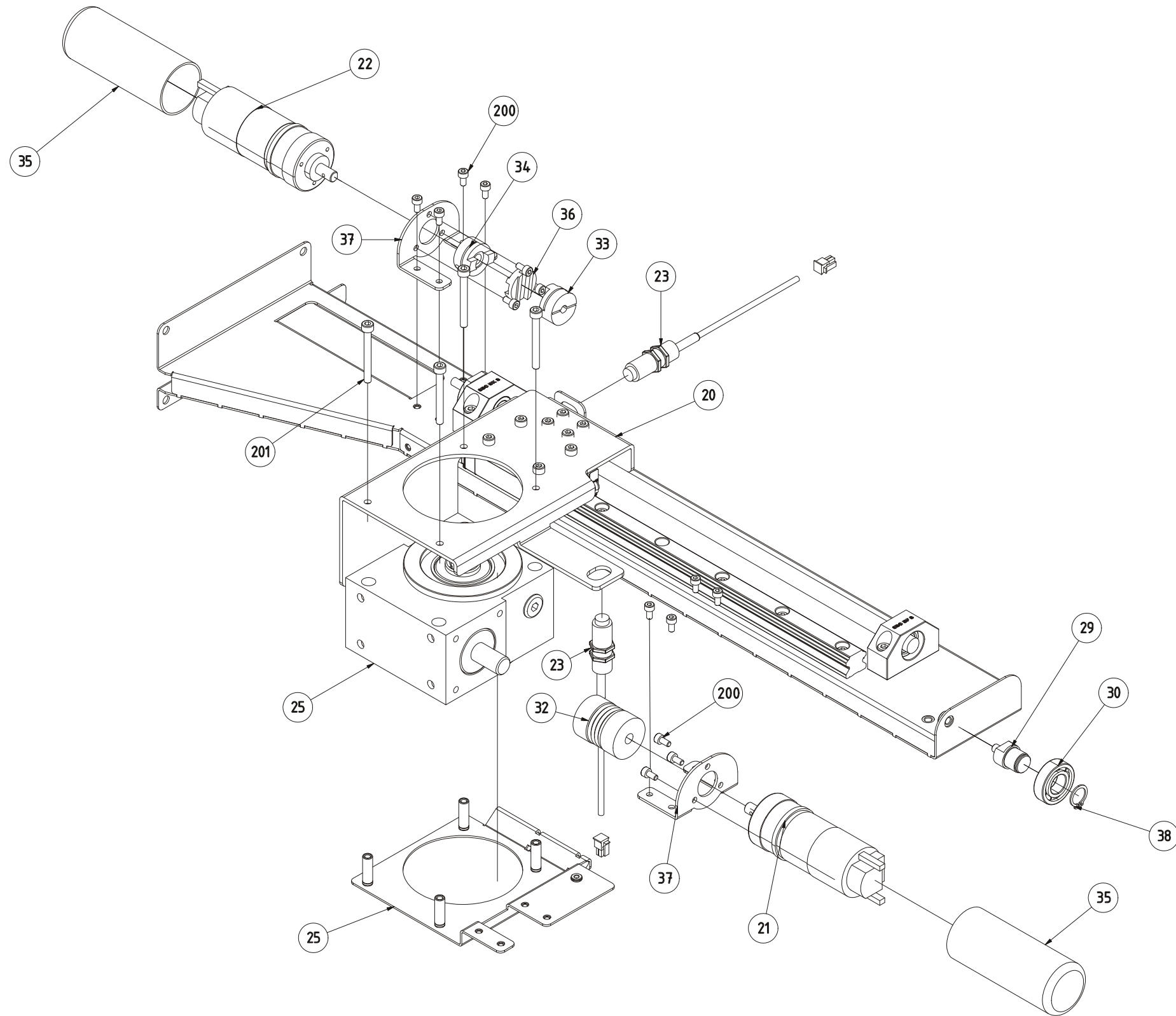


Fig. 6

8000617a

4 Sampler Door

Drawing No.: 10015030 *Page: 1*

Pos.	Part No.	Description	Note
24	60022606	Bearing	
25	60026638	Spacer	
26	60024078	Slide Bar	
29	60028297	Window, Sampler Door	

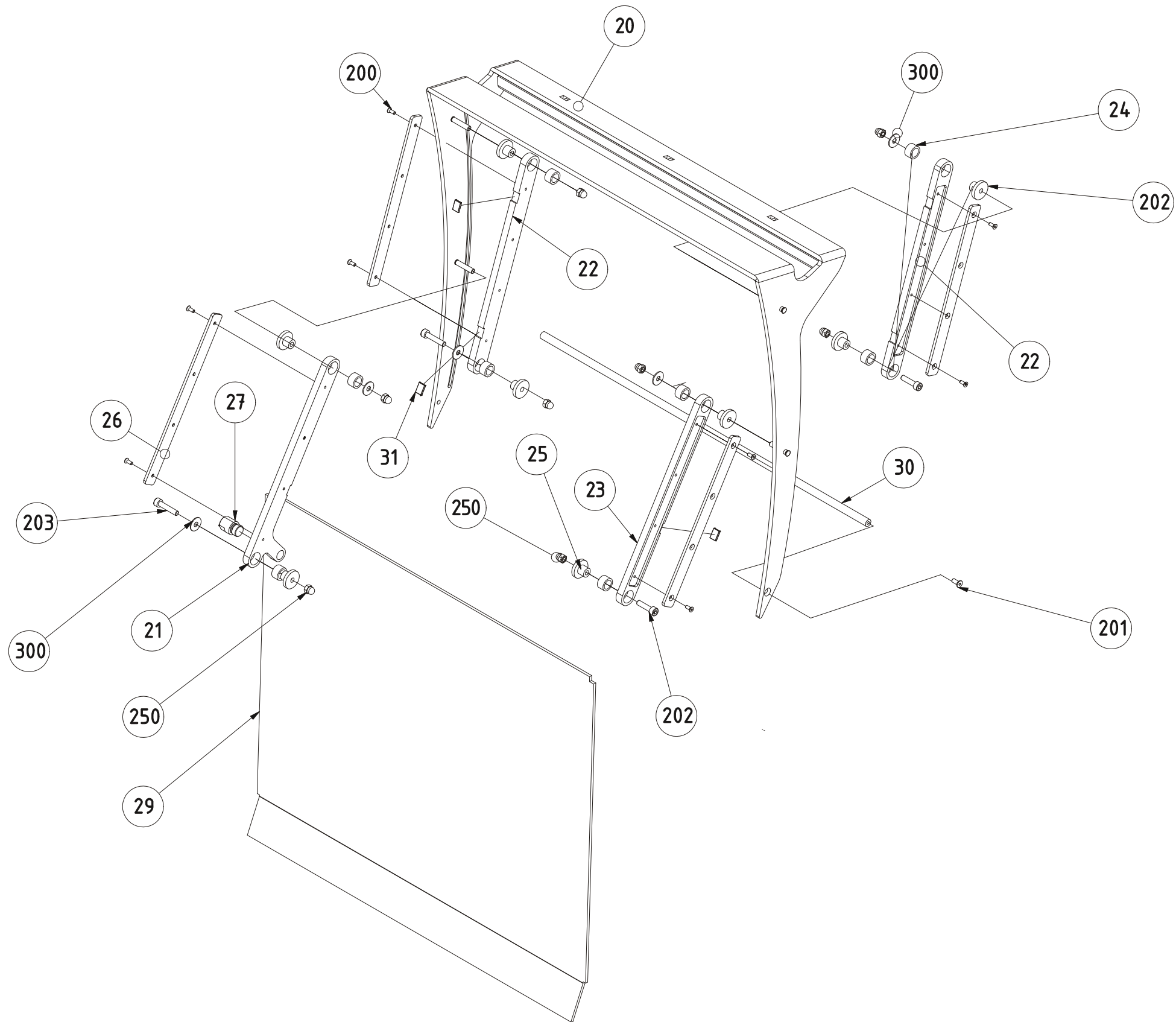


Fig. 7

8000618a

5 Tank Drawer

Drawing No.: 60029830 **Page:** 1

Pos.	Part No.	Description	Note
21	15470095	Wheel	
200	15320022	Screw M5 x 8	
250	15370023	Nut M5	

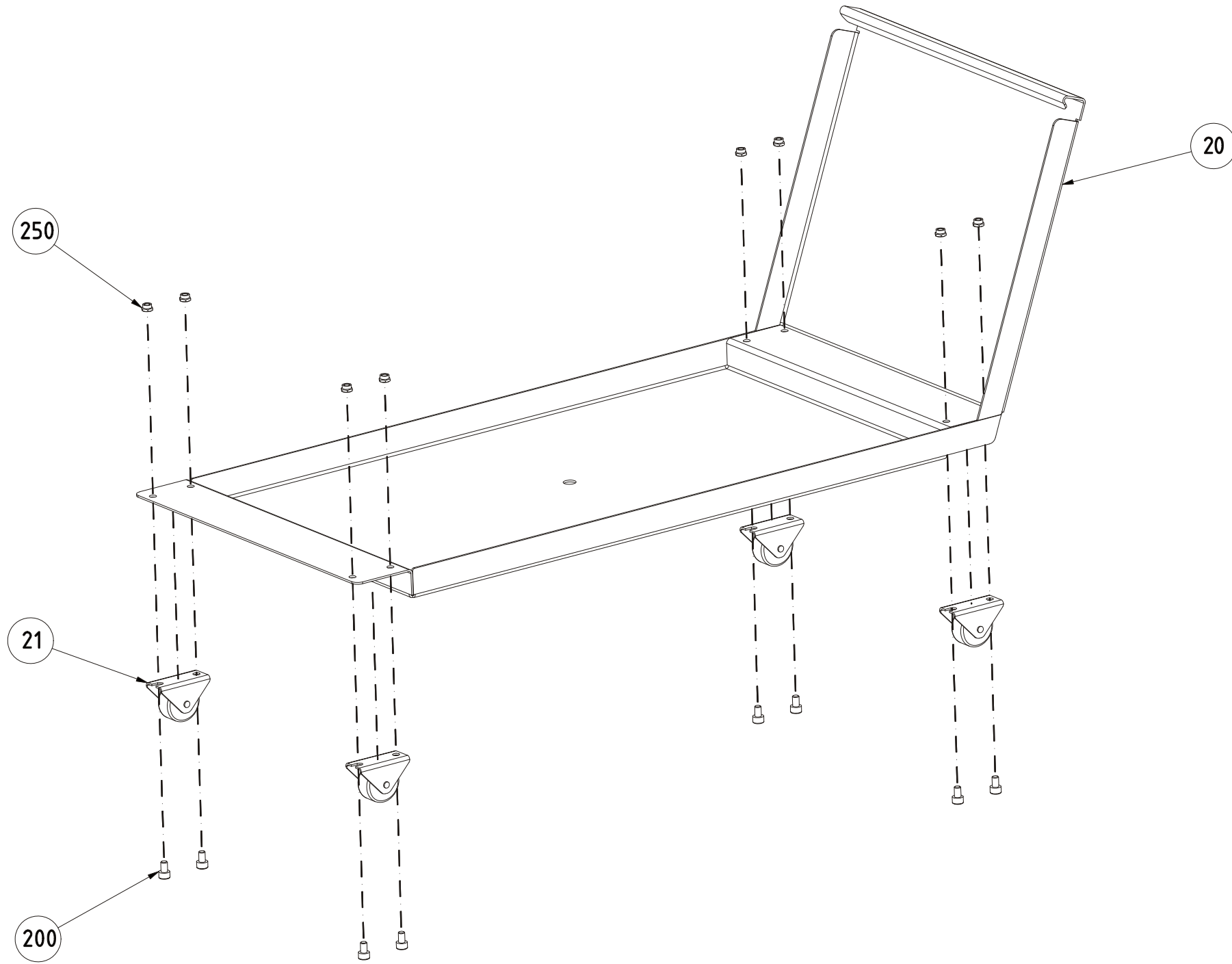


Fig. 8

6 Index

Part No.	Page		
		60029210	4
10000240	4	60029240	4
15320007	4	60031012	4
15320010	4	60032069	2
15320017	12	60032070	2
15320022	4, 6, 16	60032078	4
15320050	4	60034951	4
15320108	12	60037090	4
15320109	4		
15370009	4		
15370014	2		
15370017	4		
15370019	2, 4		
15370023	6, 16		
15370036	4, 6		
15380024	2		
15380039	2, 4		
15420007	4		
15470081	10		
15470095	4, 6, 16		
15480016	12		
55320017	4, 8		
55320024	4, 8		
55330040	2		
60022076	2		
60022077	4		
60022606	14		
60022608	2		
60024078	14		
60024079	12		
60024152	4		
60024269	4		
60024312	4		
60024330	4, 12		
60024871	8		
60026638	14		
60026771	4		
60026888	4, 12		
60026963	4, 12		
60027087	8		
60027834	4		
60028272	10		
60028274	4		
60028275	4		
60028276	2		
60028277	12		
60028297	14		
60028298	12		
60028404	12		
60028405	12		
60028406	4		

